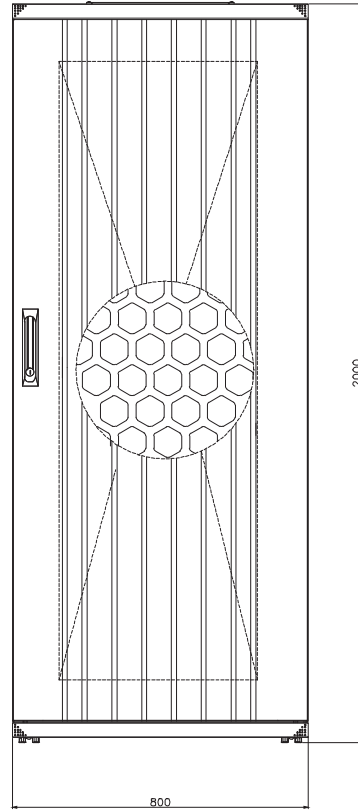
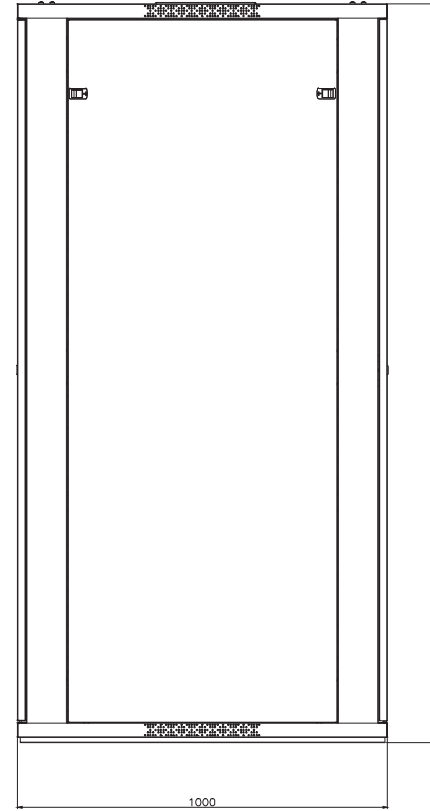


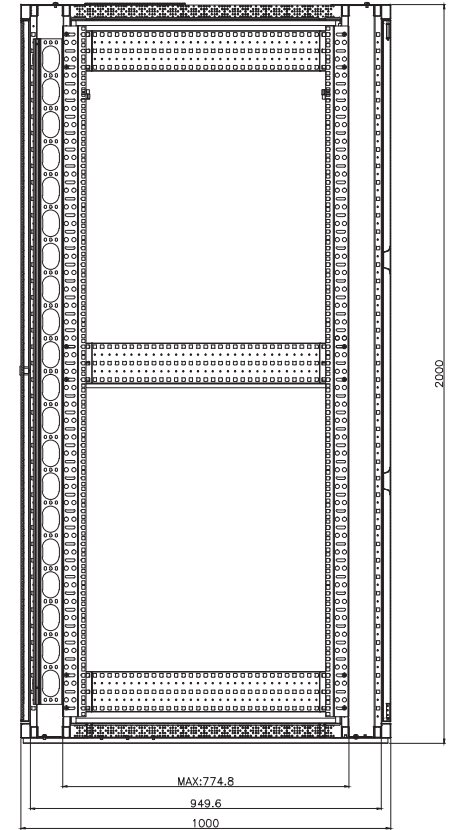
FRONT



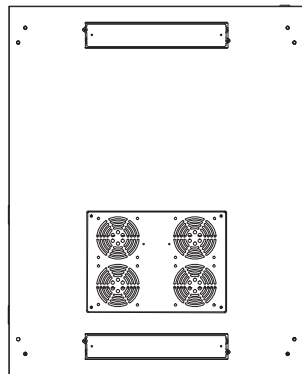
BACK



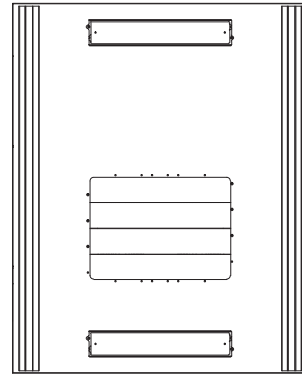
SIDE



A-A



TOP



BOTTOM



Standard:

Comply with ANSI/EIA
RS-310-D、IEC60297-2、DIN41494;PART1 ;
DIN41494;PART7

Material:

SPCC Cold Rolled Steel ;
19" rails: 2.0mm, others: 1.2mm

Loading capacity:

Static loading: 800KG

Feature:

- Flat packing and patent frame , packing time is less than 20 minutes ,
- Exquisite design with precise dimension and craftsmanship ;
- Adjustable feet and heavy duty castors are available simultaneously ;
- Cable entry on the top cover and bottom panel with adjustable sizes ;
- Optional installation of plinth to enable cabinets fixation, under-base cable entry/ventilation;
- Efficient and reliable cabinet connection by baying kit ;
- Removable side panels to ease maintain ;

26.99.0820 VALUE Server Cabinet 42U, 2000x800x1000 mm

EAN 7611990133666