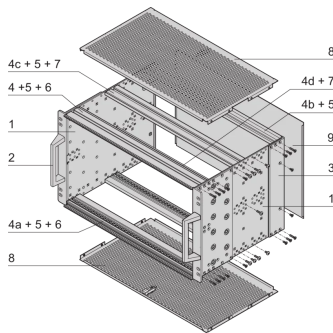
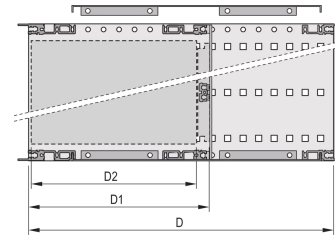


24567-449 EUROPACPRO 19" SUBRACK KIT FOR BACKPLANE, RUGGED, SHIELDED, 6 U, 295 MM



KEY FEATURES

Subrack with side panel and horizontal rail, type R "rugged" with 3 hole fixing for increased stability (+60% compared to 2 hole fixing of "Heavy" rails)

Aluminum construction

Rear horizontal rail for backplane mounting with insulation strip. Special adaptor rails allow conduction cooled assemblies to be fitted

Internal and external dimensions in accordance with: IEC 60297-3-100, -101, -102, -103, IEEE 1101.1, IEEE 1101.10

EMC of approximately 40 dB at 1 GHz, 30 dB at 2 GHz, assuming that the front is covered with shielded front panels, testing in accordance with VG 95373 part 15

IP 20, in accordance with IEC 60529

Shock and vibration tested to MIL 167, IEC 61587 DL 3, MIL 810 G, MIL 901D. Shock and vibration resistant in all three axial directions.

Supplied as space-saving flat-pack

Modifications such as cutouts, different finishes or dimensions available. Subrack with telescoping slides can be adopted for cabinet mounting on request

Horizontal rail type "rugged"

PRODUCT ATTRIBUTES

Product Type: Subrack/Chassis

Rack Height: 6 U

Rack Width: 84 HP

Depth: 295 mm

For Mounting: Backplane

Board Depth: 160 mm

EMC Shielding: Yes

EMC Gasket Type: Textile

Static Load: 25 kg

Shock and Vibration Tolerance: 25 g (force)

Handle Included: Yes

Mounting: Rack

Complies With: IEC 60297-3-103; IEEE 1101.10; IEEE 1101.11; MIL 167; MIL 810 G; MIL 901 D; IEC 61587 DL3

Package Quantity: 1

ADDITIONAL PRODUCT DETAILS

Subrack with reinforced horizontal rails and side panels for backplane mounting.

Test reports online.

Individual configuration: broad range of variants in height, width and depth; guide rails for a wide variety of applications; interior options; accessories and mounting material.

CERTIFICATIONS



North America

All locations

+1.763.422.2661

Chat with us:

schroff.nvent.com

Europe

Straubenhardt, Germany

+49.7082.794.0

Betschdorf, France

+33.3.88.90.64.90

Warsaw, Poland

+48.22.209.98.35

Assago, Italy

+39.02.932.7141

Chat with us:

schroff.nvent.com

Asia

Shanghai, China

+86.21.2412.6943

Qingdao, China

+86.532.8771.6101

Singapore

+65.6768.5800

Shin-Yokohama, Japan

+81.45.476.0271

Chat with us:

schroff.nvent.com

Middle East & India

Dubai, United Arab Emirates

+971.4.378.1700

Bangalore, India

+91.80.6715.2001

Istanbul, Turkey

+90.216.250.7374

Chat with us:

schroff.nvent.com



Our powerful portfolio of brands:
nVent.com CADDY ERICO HOFFMAN RAYCHEM SCHROFF TRACER

© 2023 nVent. All nVent marks and logos are owned or licensed by nVent Services GmbH or its affiliates. All other trademarks are the property of their respective owners.

nVent reserves the right to change specifications without notice.