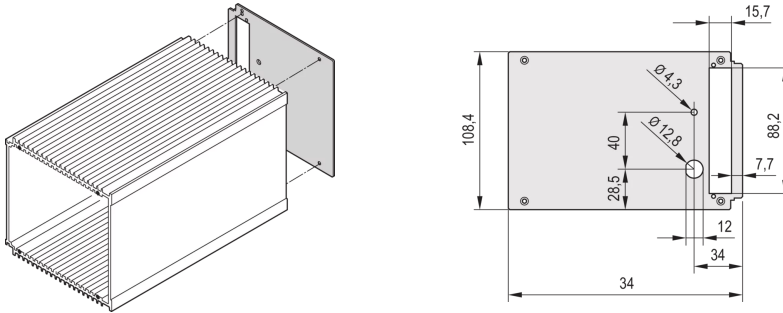


30809-643 HF FRAME TYPE PLUG-IN UNIT REAR PANEL, CUT-OUT FOR ONE CONNECTOR, 3 U, 12 HP



KEY FEATURES

Rear Panel for HF frame type plug-in unit, with cut-out for one connector

PRODUCT ATTRIBUTES

Product Type: Side Panel

Type: Rear Panel

Rack Width: 12 HP

Package Quantity: 5

ADDITIONAL PRODUCT DETAILS

Rear Panel for HF frame type plug-in unit, with cut-out for one connector enable a user to assemble a connector. In accordance with EN 60603-2.

Please take into consideration that deliveries may be carried out in the stated SPQs (SPQ, e.g. 5 pieces, 10 pieces, 50 pieces, etc.). Differing order quantities (e.g. 2 pieces) may be changed to the next possible delivery quantity = Standard Pack Quantity.

Rear Panel for HF plug-in units can be modified with Front Panel Configurator.

The cut-outs in the rear Panel suit the following EN-60603 (DIN-41612) connector types: 7 HPB, C, D, R10 - 28 HPB, C, D, R, F, H, MF, MHRear Panels with cut-outs for connectors reduce effectiveness of EMC sealing.



North America

All locations
+1.763.422.2661
Chat with us:
schroff.nvent.com

Europe

Straubenhardt, Germany
+49.7082.794.0
Betschdorf, France
+33.3.88.90.64.90
Warsaw, Poland
+48.22.209.98.35
Assago, Italy
+39.02.932.7141
Chat with us:
schroff.nvent.com

Asia

Shanghai, China
+86.21.2412.6943
Qingdao, China
+86.532.8771.6101
Singapore
+65.6768.5800
Shin-Yokohama, Japan
+81.45.476.0271
Chat with us:
schroff.nvent.com

Middle East & India

Dubai, United Arab Emirates
+971.4.378.1700
Bangalore, India
+91.80.6715.2001
Istanbul, Turkey
+90.216.250.7374
Chat with us:
schroff.nvent.com



Our powerful portfolio of brands:
nVent.com **CADDY ERICO HOFFMAN RAYCHEM SCHROFF TRACER**