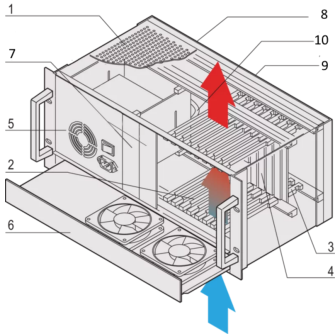
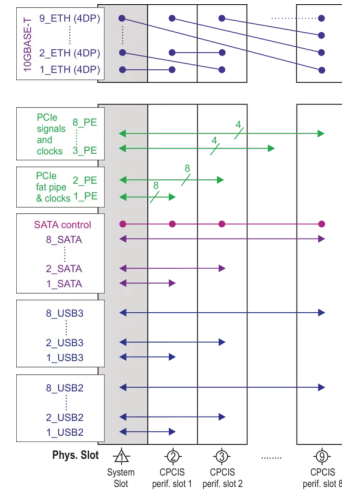
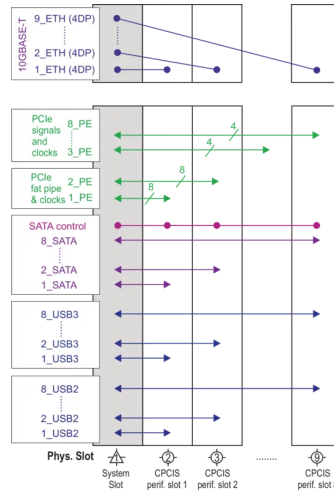


24579-420 CPCI SERIAL SYSTEM WITH ATX PSU, 4 U, 9 SLOT, WITH REAR I/O



KEY FEATURES

System in accordance with IEC-60297-3-101, -102, -103; IEEE-1101.1, 1101.10/11; backplane in accordance with PICMG CPCI-S.0

System with vertical card cage. Board format Front: 3 U, 160 mm deep, 9 slot

Backplane 9 slot, 3 U, CompactPCI Serial (single star Ethernet topology)

Heat dissipation via 1-U hot-swap fan unit

ATX power supply, 300-W

PRODUCT ATTRIBUTES

Product Type: System

Number of Slots: 9

Type: 19" Rack Mount

Backplane Type: 3 U CompactPCI Serial with Ethernet Star

Data Transfer: PCIe Gen3

Power per Slot: 40 W

Input Voltage AC: 100 – 240 V

Airflow Direction: Bottom to Top

Rack Height: 4 U

Power Supply Type: (1) ATX PSU

Power Supply Included: Yes

Rear I/O: Yes

Complies With: PICMG CPCI-S.0 R2.0

Depth: 275 mm

Height: 177 mm

ADDITIONAL PRODUCT DETAILS

4 U CompactPCI Serial System with vertical Card Cage for nine 3 U Boards and one built in ATX Power Supply.

Modified systems available on request.

CERTIFICATIONS



North America

All locations

+1.763.422.2661

Chat with us:

schroff.nvent.com

Europe

Straubenhardt, Germany

+49.7082.794.0

Betschdorf, France

+33.3.88.90.64.90

Warsaw, Poland

+48.22.209.98.35

Assago, Italy

+39.02.932.7141

Chat with us:

schroff.nvent.com

Asia

Shanghai, China

+86.21.2412.6943

Qingdao, China

+86.532.8771.6101

Singapore

+65.6768.5800

Shin-Yokohama, Japan

+81.45.476.0271

Chat with us:

schroff.nvent.com

Middle East & India

Dubai, United Arab Emirates

+971.4.378.1700

Bangalore, India

+91.80.6715.2001

Istanbul, Turkey

+90.216.250.7374

Chat with us:

schroff.nvent.com



Our powerful portfolio of brands:
nVent.com **CADDY ERICO HOFFMAN RAYCHEM SCHROFF TRACER**

© 2023 nVent. All nVent marks and logos are owned or licensed by nVent Services GmbH or its affiliates. All other trademarks are the property of their respective owners.

nVent reserves the right to change specifications without notice.