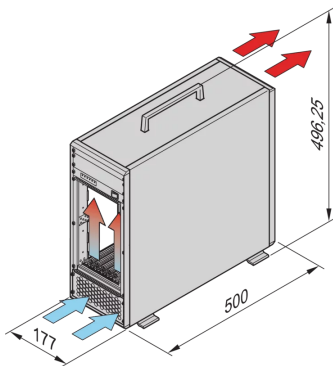
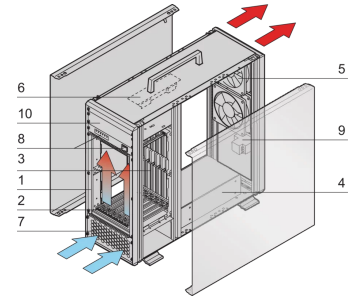


10836-050 VME64X SYSTEM, TOWER, 4 U, OPEN FRAME PSU



KEY FEATURES

System in accordance with IEC-60297-3-101, 102, 103; IEEE-1101.1, 1101.10/11; backplane conforms to VITA-1.1-1997

PSU, open frame, 560 W (400 W at <-180-VAC)

Backplane VME64x 7-slot, 6-U, J1/J2 monolithic without P0 connector, in accordance with VITA 1-1994 and 1.1-1997

Heat dissipation by 2 fans, cooling from front to rear side; temperature-controlled-by fan control module (FCM)

System for standard board mounting with board format, 6-U, 160-mm deep

Display module for DC operating voltages, fan and temperature alarm

Option to mount a 5.25" DVD drive unit

PRODUCT ATTRIBUTES

Product Type: System

Number of Slots: 7

Type: Tower

Backplane Type: 6 U VME64 Extension

Data Transfer: VME64; VME2eSST

Power per Slot: 30 W

Input Voltage AC: 100 – 240 V

Airflow Direction: Front to Rear

Rack Height: 10 U

Power Supply Type: Open Frame

Power Supply Included: Yes

Rear I/O: No

Complies With: ANSI/VITA 1.1-1997

Depth: 500 mm

Height: 496.25 mm

Width: 177 mm

ADDITIONAL PRODUCT DETAILS

VME64 tower system for 7 VME64x boards 6 U, 160 mm. The power for the system is supplied by a open frame power supply. A fan control module monitors the fans, the temperature and voltage.

Modified systems available on request.

CERTIFICATIONS



North America

All locations

+1.763.422.2661

Chat with us:

schroff.nvent.com

Europe

Straubenhardt, Germany

+49.7082.794.0

Betschdorf, France

+33.3.88.90.64.90

Warsaw, Poland

+48.22.209.98.35

Assago, Italy

+39.02.932.7141

Chat with us:

schroff.nvent.com

Asia

Shanghai, China

+86.21.2412.6943

Qingdao, China

+86.532.8771.6101

Singapore

+65.6768.5800

Shin-Yokohama, Japan

+81.45.476.0271

Chat with us:

schroff.nvent.com

Middle East & India

Dubai, United Arab Emirates

+971.4.378.1700

Bangalore, India

+91.80.6715.2001

Istanbul, Turkey

+90.216.250.7374

Chat with us:

schroff.nvent.com



Our powerful portfolio of brands:
nVent.com **CADDY ERICO HOFFMAN RAYCHEM SCHROFF TRACER**

© 2023 nVent. All nVent marks and logos are owned or licensed by nVent Services GmbH or its affiliates. All other trademarks are the property of their respective owners.

nVent reserves the right to change specifications without notice.