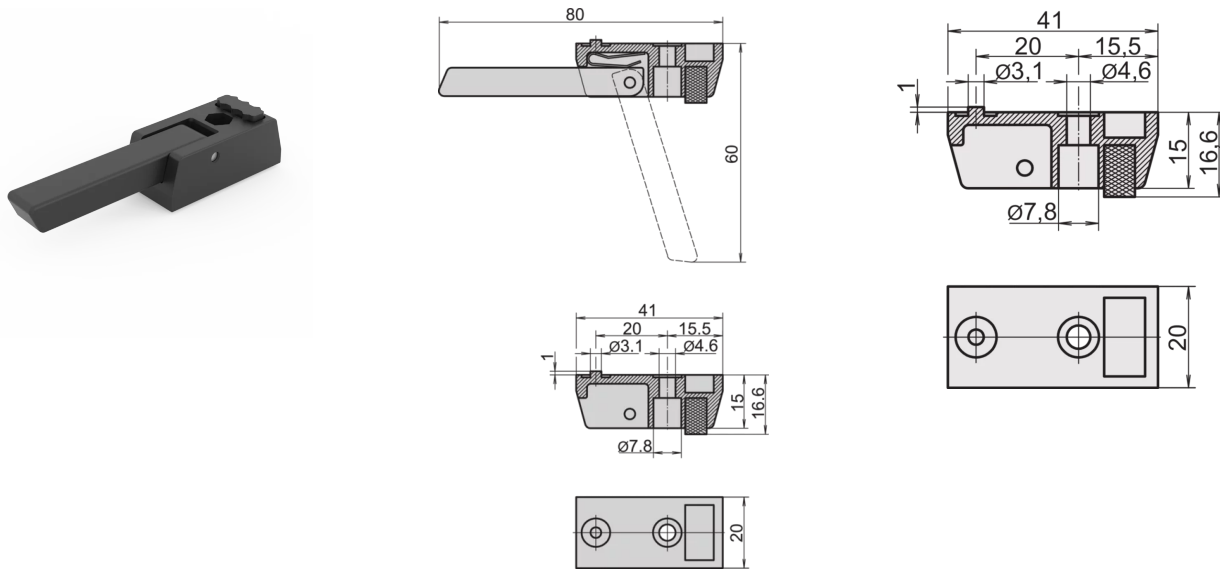


10603-002 DIE CAST FOOT, ALU, WITH TIP-UP



KEY FEATURES

Positioning of case is secured by anti-slip rubber inserts

Can be used instead of standard feet

Load-carrying capacity: 50 kg per foot, max case weight 40 kg

Mounting holes are provided in bottom cover of the cases

PRODUCT ATTRIBUTES

Product Type: Foot

Type: Foot

Works With: Cases

Package Quantity: 10

ADDITIONAL PRODUCT DETAILS

The tip-up feet from aluminum die cast material enable mounting on the bottom plate of a case. Available with or without tip-up function. In black or gray.

Delivery is in standard pack multiples. Pricing is per individual item.

Please take into consideration that deliveries may be carried out in the stated SPQs (SPQ, e.g. 5 pieces, 10 pieces, 50 pieces, etc.). Differing order quantities (e.g. 2 pieces) may be changed to the next possible delivery quantity = Standard Pack Quantity.

CERTIFICATIONS



North America

All locations
+1.763.422.2661
Chat with us:
schroff.nvent.com

Europe

Straubenhardt, Germany
+49.7082.794.0
Betschdorf, France
+33.3.88.90.64.90
Warsaw, Poland
+48.22.209.98.35
Assago, Italy
+39.02.932.7141
Chat with us:
schroff.nvent.com

Asia

Shanghai, China
+86.21.2412.6943
Qingdao, China
+86.532.8771.6101
Singapore
+65.6768.5800
Shin-Yokohama, Japan
+81.45.476.0271
Chat with us:
schroff.nvent.com

Middle East & India

Dubai, United Arab Emirates
+971.4.378.1700
Bangalore, India
+91.80.6715.2001
Istanbul, Turkey
+90.216.250.7374
Chat with us:
schroff.nvent.com



Our powerful portfolio of brands:
[nVent.com](https://nvent.com) **CADDY ERICO HOFFMAN RAYCHEM SCHROFF TRACER**

© 2023 nVent. All nVent marks and logos are owned or licensed by nVent Services GmbH or its affiliates. All other trademarks are the property of their respective owners.

nVent reserves the right to change specifications without notice.