



Datenblatt - Fiche technique - Data sheet

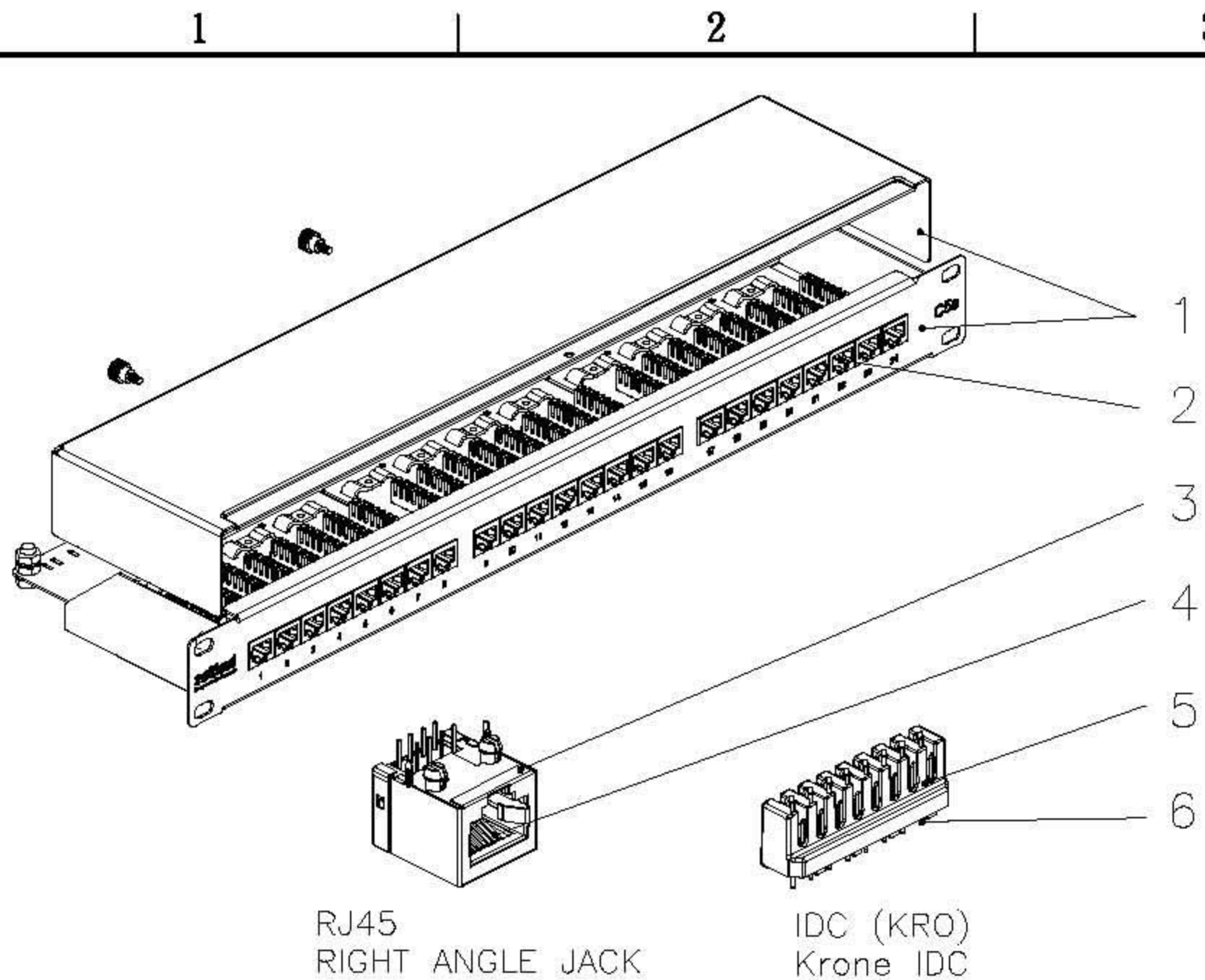
**26.11.0329**



ROLINE 19"-Patchpanel 1 HE, 24 Ports, Kat.5e, grau

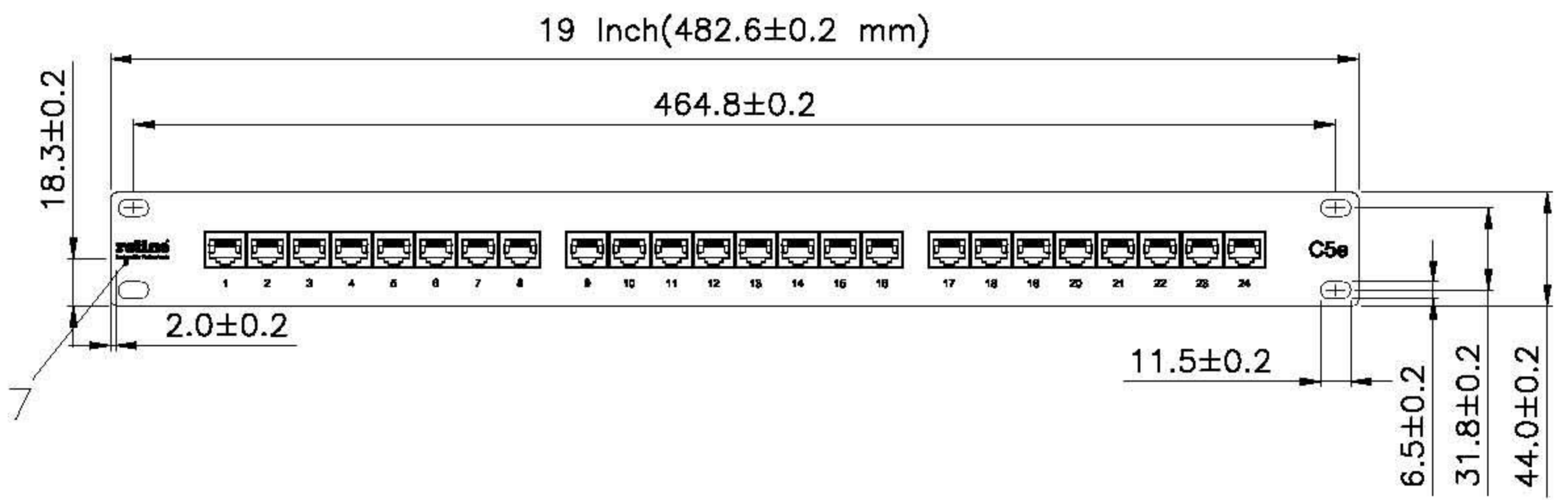
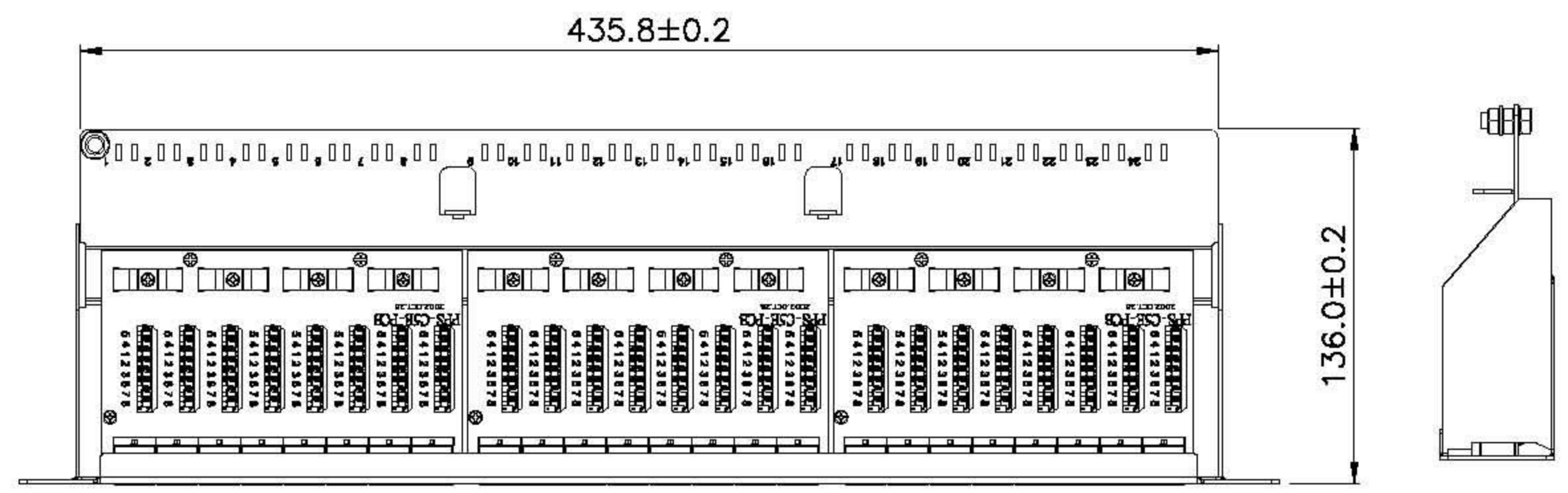
ROLINE Panneau de brassage 19", 1 UH, 24x RJ-45, cat.5e, gris

ROLINE Cat.5e 19" Patch Panel, 24 Ports, STP, light grey



RJ45  
RIGHT ANGLE JACK

IDC (KRO)  
Krone IDC



Specification: SCALE 1/3

Material:

1. Top & Bottom case : SECC, 1.2mm with Black color painted.
2. RJ45 Housing: PBT, UL 94V-0.
3. RJ45 Shield: Phosphor Bronze with Nickel plated.
4. RJ45 Contact material & finished:
  - 4-1. Phosphor Bronze with 30-40 micro-inch Nickel plated.
  - 4-2. Contact area: Min. 3mm 50 micro-inch Gold plated.
5. IDC Housing: Polycarbonate, UL 94V-2, KRONE impact.
6. IDC Terminal material & finished :
  - 6-1. Phosphor Bronze with 50 micro-inch Tin-Lead plated
  - 6-2. Krone tool only.
  - 6-3. Use for 22-26 AWG stranded and solid wire.
7. The color of the logo and number painted: Pantone 485C

Performance :

- a. The IDC color codes combine two wirings of T568A & T568B.
- b. Operation Temperature : -40°C to 80°C.
- c. Insertion Force : 900 gms for 8 contacts.
- d. Retention Strength : 7.7 kgs between Jack and Plug.
- e. Durability :
  - e-1. Jack : 750 cycles Plug-Jack mating and unmating test, insertion cycles at 20 cycles/minute max. Contact resistance test per 100 cycles.
  - e-2. IDC : Max. 200 punching times.
- f. The Cat.5e performance is in compliance with the ANSI/TIA/EIA 568 B.2 standard.

GENERAL TOLERANCE OF DIMENSIONS X.XXX ±0.005 X.XX ±0.05 X.X ±0.1	DRAWING	19.MAR.2009	Connie	<h1>rotronic</h1>	
	CHECK	19.MAR.2009	KLi		
	APPROVAL	19.MAR.2009	Yty		
		DATE	NAME	ITEM NO.: 26.11.0328,29	
	SCALE	1/4 (A4)	UNIT	mm	DES.: Cat.5e Full Shielded Patch Panel
	DRAWING NO. PPS24-CE-KRXC(SA1)		DRAWING CLASSIFICATION		SHEET 1 OF 1