



Datenblatt - Fiche technique - Data sheet

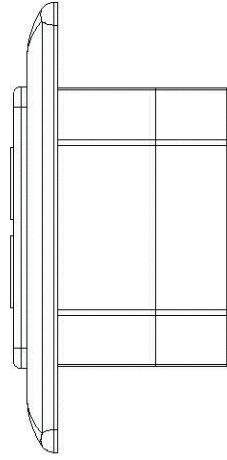
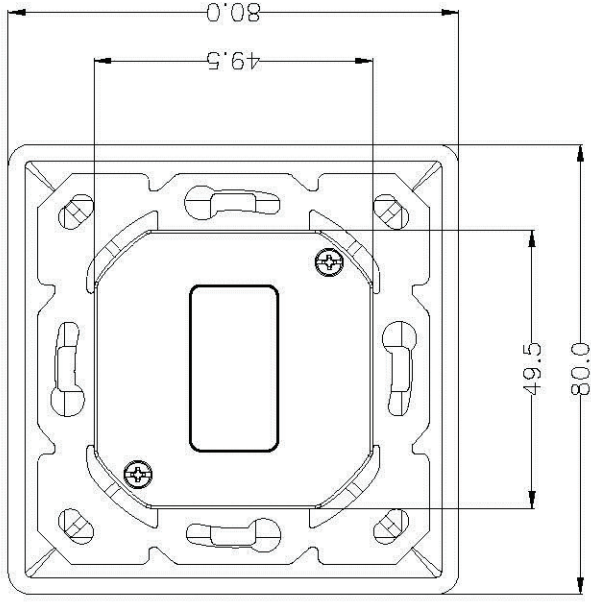
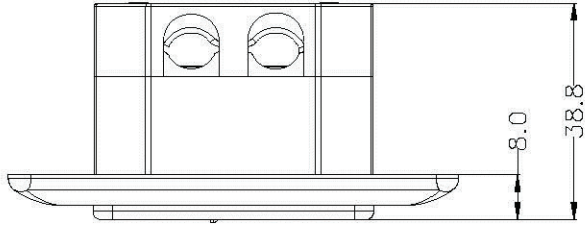
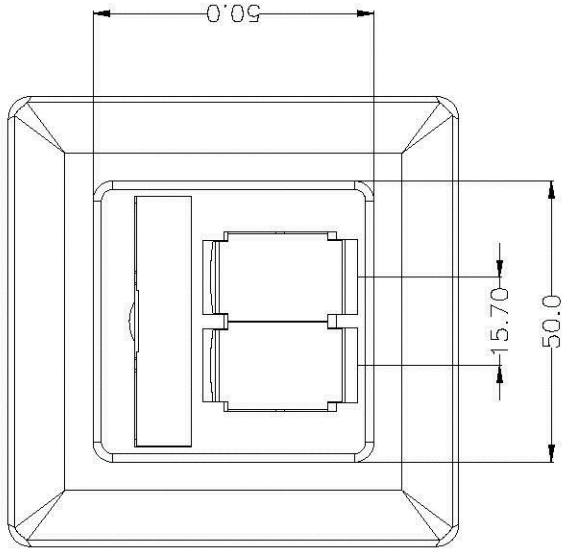
**25.99.8490**



VALUE Kat.6a Dose, 2x STP, Unterputz, waagrecht, weiss

VALUE Embase double Cat. 6a, STP, horiz., blanc pur

VALUE Cat.6a Flush Mount Wall Jack, STP, horizontal, white



**ENVIRONMENTAL:**

1. STORAGE : -40° TO+85°
2. OPERATION : 0° TO+70°
- RJ45 JACK COMPLY TO REQUIREMENTS OF IEC-60603-7-5 MATES WITH MODULAR PLUG CONFORMING TO FCC PART 68

**MECHANICAL**

1. COVER&SHUTTER: FLAME RETARDANT ABS
2. JACK HOUSING : PBT+15%GF UL94V0
3. PCB : FR-4 THICKNESS:1.6MM
4. CONTACT MATERIAL: PHOSPHOR BRONZE T=0.35MM 8P8C 3u"Gold Plated
5. IDC CONTACT : PHOSPHOR BRONZE T=0.50MM WITH NICKEL PLATING
6. MOUNTING BRACKET: ZINC ALLOY#3
7. TOP COVER : ZINC ALLOY#3
8. RJ45 JACK LIFE: 750 TIMES MIN
9. IDN LIFE : 200 TIMES MIN
10. WIRE : AWG 22-24 Cable entry left/right
11. RETENTIVENESS OF INSERTION STRUCTURE: 50N 60±5s

**NOTES:**

- ELECTRICAL:**
1. VOLTAGE RATING : 125V AC RMS
  2. CURRENT RATING : 1.5A mp
  3. CONTACT RESISTANCE : 100 MILLI OHMS MAX
  4. INSULATION RESISTANCE : 1000M OHMS MIN @ 500V DC
  5. DIELECTRIC STRENGTH : 750V AC RMS 60Hz, 1MIN
- CAT. 6A PERMANENT LINK : CONFORM TO ANSI/TIA/EIA-568 B. 2-1 IEC 11801 PL2 CLASS Ea  
 Colour: White RAL 9010

**rotronic**

ITEM NO.	25.99.8490	UNIT	MM
DESC.	VALUE Cat.6A Flush Mount Wall Jack, Horizontal, STP		
DRAWNBY	A	CHECKBY	APPOBY
REV.	DATE	REV.	DATE
	2013-10-23		2013-10-23
BY	CHK		