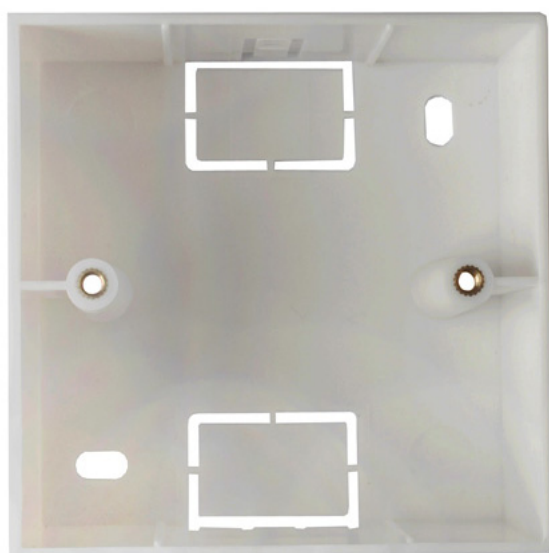




**Datenblatt - Fiche technique - Data sheet**

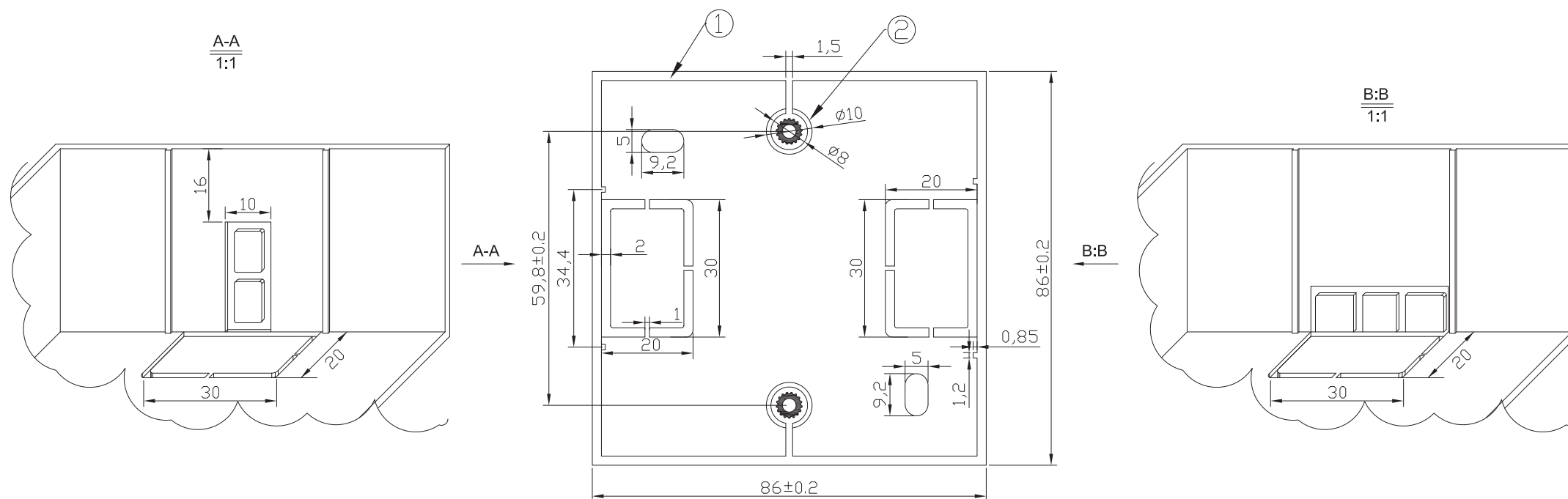
**25.99.8201**



**VALUE AV-Anschluss-System, Wanddose, Aufputz**

**VALUE Boîtier AV , 86x86mm, blanc**

**VALUE AV Wall Cup, 86x86mm, white**



## NOTE:

1. Material: ABS,  
SIZE: L86\*W86\*H42\*T1.85mm
2. SCREW: M3.5\*25\*5.5mm
3. UNIT: mm

# SECOMP

MATERIAL	PC	TOLERANCE	
ITEM No.	25.99.8201	X.	$\pm 1.00$
		X.X	$\pm 0.50$
VALUE A/V Wall Cup, 86x86mm, white		SCALE	MM
		PAGE	1/1



