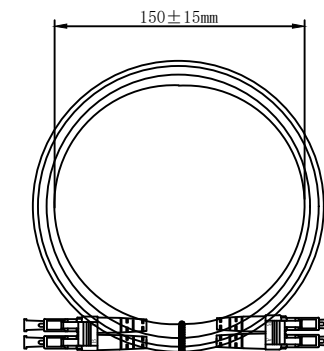
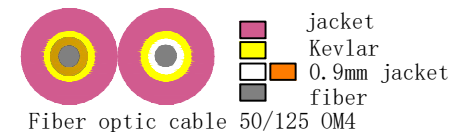


Note:

1. ROHS 2.0 & REACH Compliant
2. The out jacket is conform to IEC60332-1, EN60754-2, EN 61034-2
3. Min. Bending Radius: Static: 30mm Dynamic: 60mm

TYPE	MULTI-MODE
Insertion LOSS	≤0.3dB
Return LOSS	≥30dB
Test Wavelength	850nm



⑮	Ring 1 2	4pcs	
⑭	SC Erika violet Clip	1pcs	
⑬	SC MM Erika violet Duplex Connector	2pcs	
⑫	SC Dust Cap	2pcs	
⑪	SC Black Boot	1pcs	
⑩	SC Red Boot	1pcs	
⑨	SC/UPC MM Ferrule 126-128um	2pcs	
⑧	Black Heat Shrink Tube	2pcs	
⑦	LC Erika violet Duplex Clip	1pcs	
⑥	LC MM Erika violet Duplex Connector	2pcs	
⑤	LC Dust Cap White	2pcs	
④	LC White Boot	1pcs	
③	LC White Boot	1pcs	
②	LC/UPC MM Ferrule 126-128um	2pcs	
①	Fiber Optical Cable Duplex ϕ 3.0mm OM4 50/125um Erika violet LSZH	L+0.1m	

ITEM NO.	DESC.
21.99.8760	VALUE OM4 FIBER OPTICAL CABLE 50/125um, LC/SC, Erika violet, 0.5m
21.99.8761	VALUE OM4 FIBER OPTICAL CABLE 50/125um, LC/SC, Erika violet, 1m
21.99.8762	VALUE OM4 FIBER OPTICAL CABLE 50/125um, LC/SC, Erika violet, 2m
21.99.8763	VALUE OM4 FIBER OPTICAL CABLE 50/125um, LC/SC, Erika violet, 3m
21.99.8765	VALUE OM4 FIBER OPTICAL CABLE 50/125um, LC/SC, Erika violet, 5m
21.99.8768	VALUE OM4 FIBER OPTICAL CABLE 50/125um, LC/SC, Erika violet, 10m

NO.	SPECIFICATION STANDARD	QT'Y	REMARK
	Add Min. Bending Radius	2022-1-24	A1
	NEW	2018-1-10	A
BY	CHK	REVISION RECORD MODIFICATIONS	DATE
			REV.

SECOMP