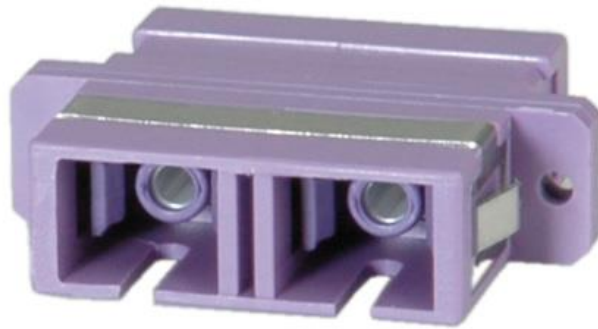




Datenblatt - Fiche technique - Data sheet

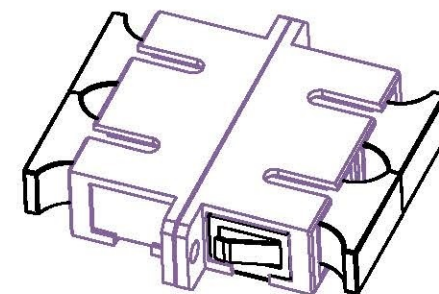
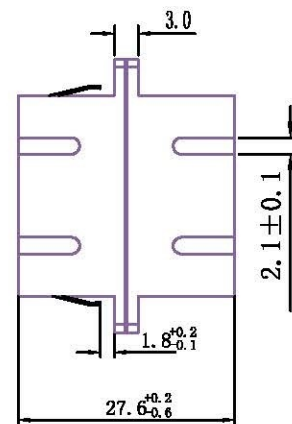
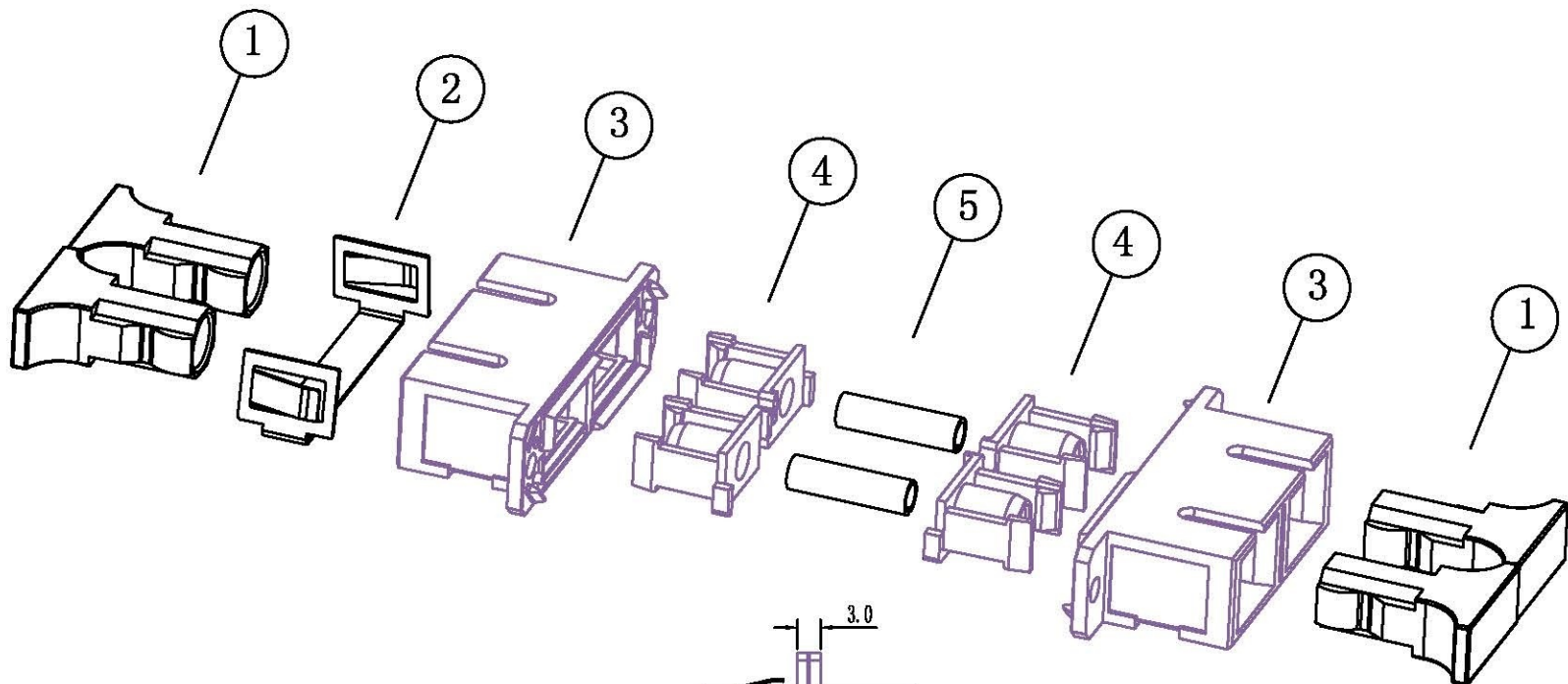
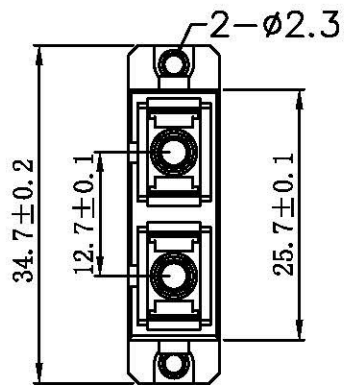
21.99.0656



VALUE LWL-Kupplung SC/SC duplex, OM4, PB

VALUE Coupleur optique SC/SC duplex, OM4, PB

VALUE Fibre Optic Adapter SC/SC Duplex, OM4, PB



NOTE:

RoHS & REACH Compliant

Insertion Loss (dB)	≤ 0.30
Operating Temperature (° C)	-40 ~ +85
Storage Temperature (° C)	-40 ~ +85

MATERIAL LIST:

NO.	SPECIFICATION STANDARD	QT' Y	REMARK
⑤	SC (ceramic) Sleeve (Multi-Mode) Duplex, OM4	2pcs	
④	purple Bush	4pcs	
③	purple Body	2pcs	
②	Metal Mount	1pcs	
①	Black Dust cap	4pcs	

VALUE Fiber Optic Adapter, SC type, Duplex, Multimode, OM4, purple color			
Item No.	21.99.0656		

				UNIT	MM	rotronic			
				2013-08-30	A				DRAWNBY
BY	CHK	NEW REVISION RECORD MODIFICATIONS		DATE	REV.				2013-08-30