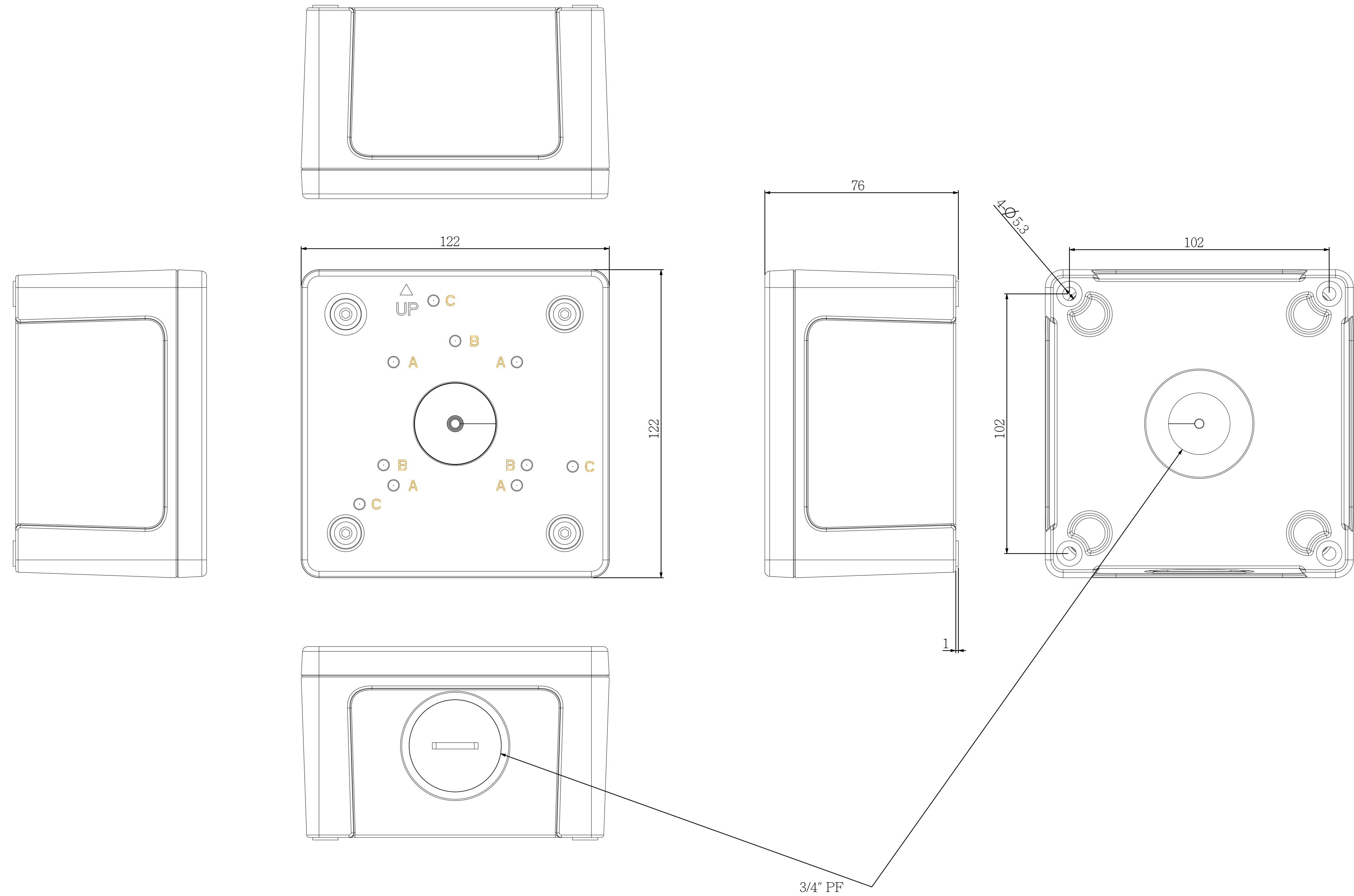


REVISIONS				
REV	DESCRIPTION	POSTED	ENGINEER	DATE
11	New Edition			Aug-29-19



UNLESS OTHERWISE SPECIFIED  
ALL DIMENSIONS ARE IN mm

TOLERANCE ON  
LINEAR ±0.130  
0.05  
0.100  
0.200  
0.500  
1.000  
ANGULAR ±0.5°

 VIVOTEK Incorporated <small>10000 W. 10th Street, Suite 100, Boise, ID 83725          (208) 333-8888          www.vivotek.com</small>	PART NO.		MODEL	
	ENGR	TBD	AMTIC	
	DRN	TBD	DRAWING TITLE	
	CHK	TBD	AMTIC_FUNCTION_BOX_ASSY	
MTL	TBD	ISSUE DATE	Aug-29-19	REVISION
FINISH	TBD	SCALE	1:1	UNIT
CP102-W1-014-01-0		SIZE	A1	SHEET
				1 OF 1