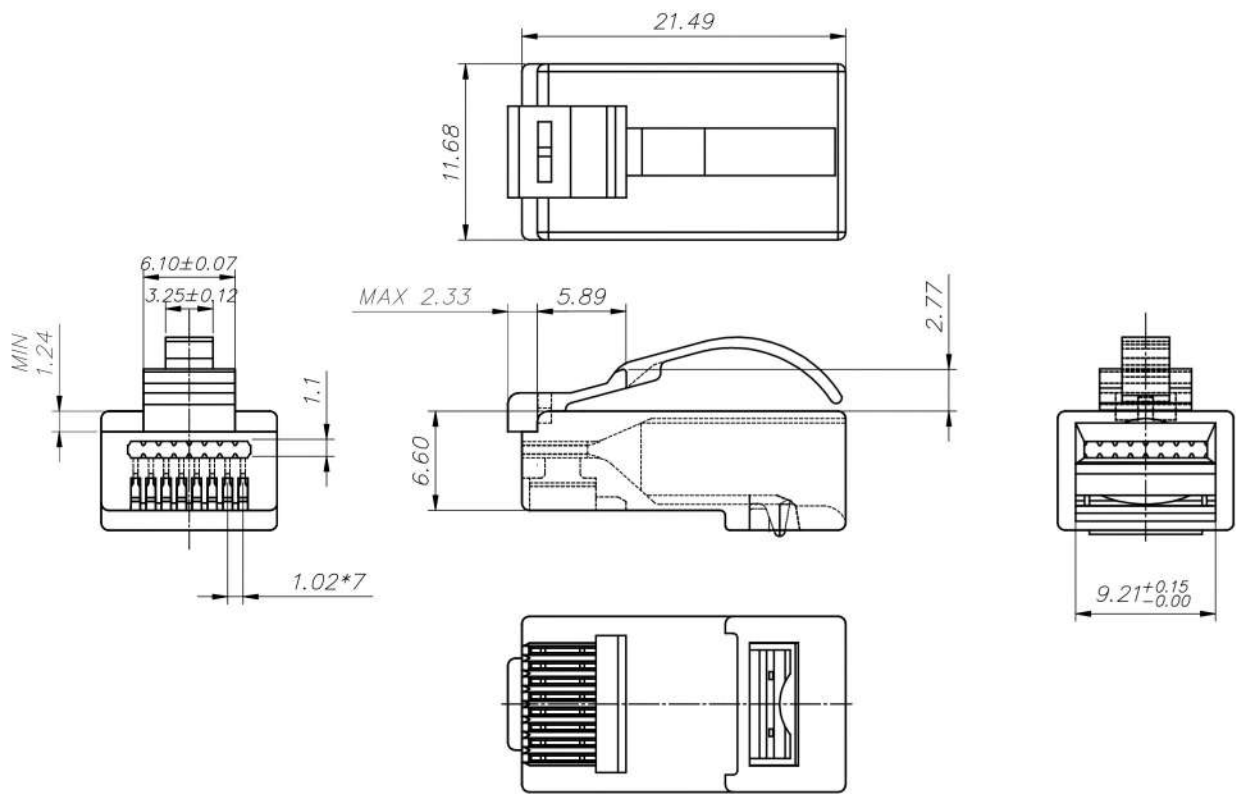


REV	DATE	MODIFICATION	DRAWN
A	2019/01/26		
B	2022/05/30		Zach

**SPECIFICATIONS**

- 1.ELECTRICAL:  
 UL APPLICATIONS: 250 VOLTS AC MAX. AT 2 AMPS.  
 DIELECTRIC WITHSTANDING VOLTAGE : 1000 VOLTS AC. 60 SEC.  
 INSULATION RESISTANCE: 500 MΩ.  
 CONTACT RESISTANCE: 20mΩ MAX.  
 OPERATING AMBIENT TEMPERATURE: -40°C ~ 70°C.
- 2.MECHANICAL:  
 STRAIN RELIEF: 20POUND MIN.  
 DURABILITY: 1200 MATING CYCLES.
- 3.MATERIAL:  
 HOUSING: POLYCARBONATE, UL94V-0 OR UL94V-2.  
 COLOR: TRANSPARENT OR OTHER COLOR ARE AVAILABLE.  
 CONTACT BLADE: COPPER ALLOY.  
 GOLD PLATING: 3u"-50u", ARE AVAILABLE.
4. USAGE:  
 SUITABLE FOR STRANDED & SOLID WIRE 24AWG ~ 26 AWG.  
 (It can be used for the wire OD from Ø 0.96 ~ Ø1.02)



ROLINE Easy Passthrough RJ45 Plug, Cat.6/6A UTP, 10x/set

BLADE:	EB	YB	Z	AE	AB
Drawing					
Mark			✓		

GOLD PLATING	3Mu"	3u"	6u"	15u"	30u"	50u"	CABLE TYPE	FLAT
Mark						✓	Mark	✓



DIMENSION IN mm (Inch) TOLERANCE UNLESS OTHERWISE SPECIFIED		MATERIAL PC	DWG NO. PLUG-475-0001	
.X±0.20	.X'±5°	TITLE 21.17.3147		
.XX±0.10	.XX'±2°	DRAWN Zach	SCALE 2/1	SHEET 1/1
APPROVAL <b>Carine</b>	CHECKED <b>Zach</b>	PROJ. 	REV B	