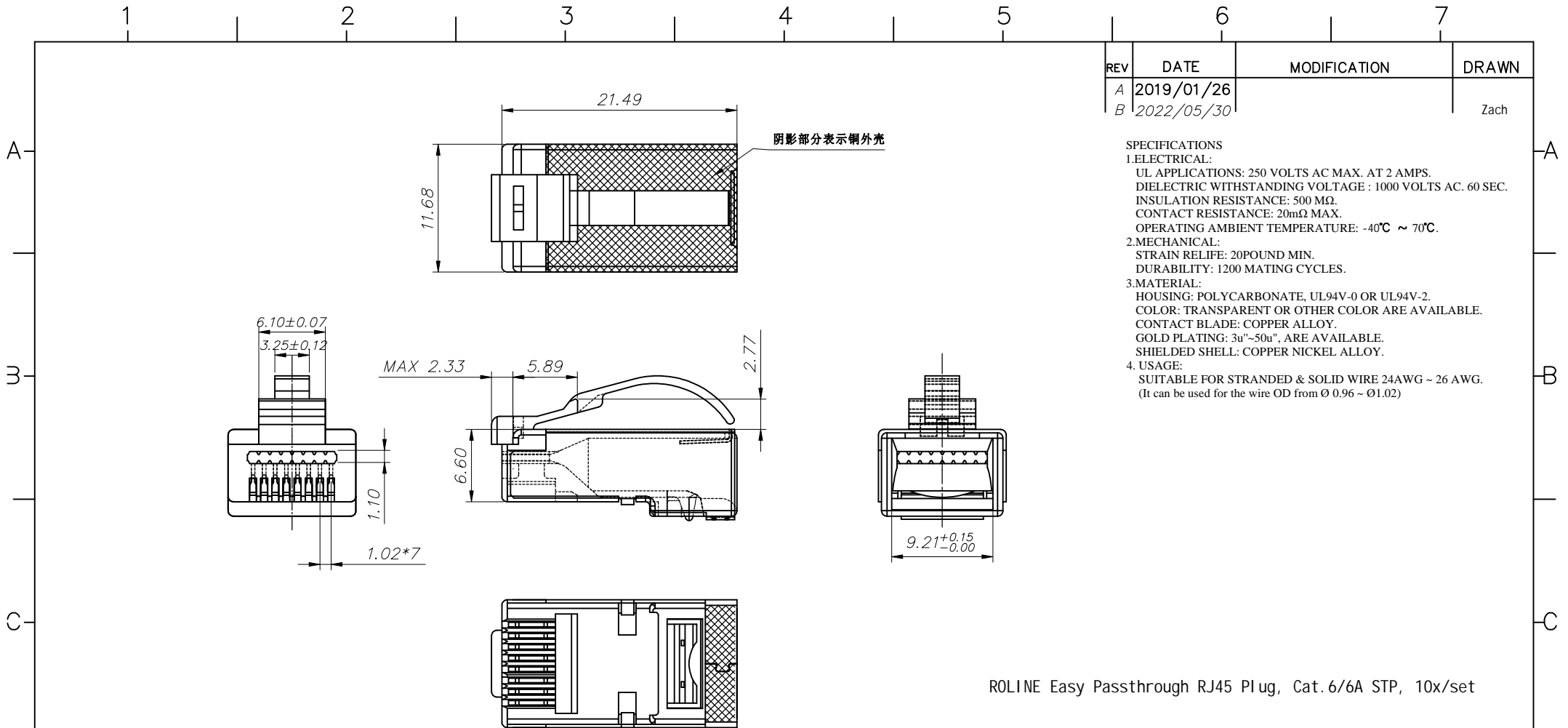


REV	DATE	MODIFICATION	DRAWN
A	2019/01/26		
B	2022/05/30		Zach

SPECIFICATIONS

- ELECTRICAL:**
 UL APPLICATIONS: 250 VOLTS AC MAX. AT 2 AMPS.
 DIELECTRIC WITHSTANDING VOLTAGE : 1000 VOLTS AC. 60 SEC.
 INSULATION RESISTANCE: 500 MΩ.
 CONTACT RESISTANCE: 20mΩ MAX.
 OPERATING AMBIENT TEMPERATURE: -40°C ~ 70°C.
- MECHANICAL:**
 STRAIN RELIEF: 20POUND MIN.
 DURABILITY: 1200 MATING CYCLES.
- MATERIAL:**
 HOUSING: POLYCARBONATE, UL94V-0 OR UL94V-2.
 COLOR: TRANSPARENT OR OTHER COLOR ARE AVAILABLE.
 CONTACT BLADE: COPPER ALLOY.
 GOLD PLATING: 3u"-50u", ARE AVAILABLE.
 SHIELDED SHELL: COPPER NICKEL ALLOY.
- USAGE:**
 SUITABLE FOR STRANDED & SOLID WIRE 24AWG ~ 26 AWG.
 (It can be used for the wire OD from Ø 0.96 ~ Ø1.02)



ROLINE Easy Passthrough RJ45 Plug, Cat. 6/6A STP, 10x/set

BLADE:	EB	YB	Z	AE	AB
Drawing					
Mark			✓		

GOLD PLATING	3Mu"	3u"	6u"	15u"	30u"	50u"	CABLE TYPE	FLAT
Mark						✓	Mark	✓

SECOMP

DIMENSION IN mm (Inch) TOLERANCE UNLESS OTHERWISE SPECIFIED		MATERIAL	DWG NO.
.X±0.20	.X'±5°	PC	PLUG-476-0001
.XX±0.10	.XX'±2°	TITLE	21.17.3146
APPROVAL	CHECKED	DRAWN	SCALE 2/1 SHEET 1/1
Cari ne	Zach	Zach	PROJ. REV B