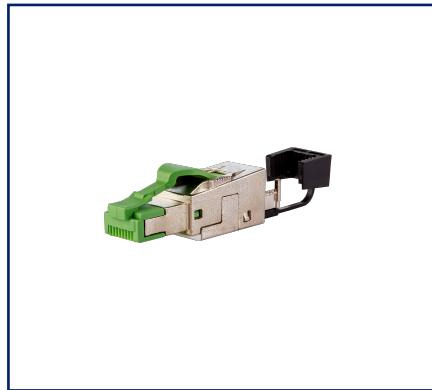


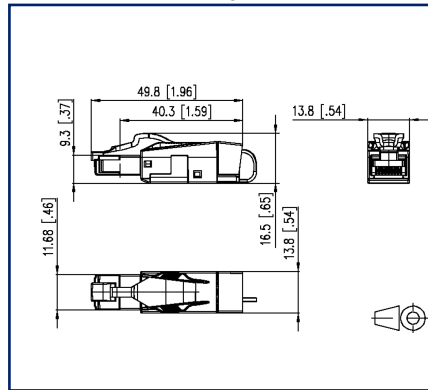
Data sheet

C5 RJ45 field plug pro 2P PROFINET

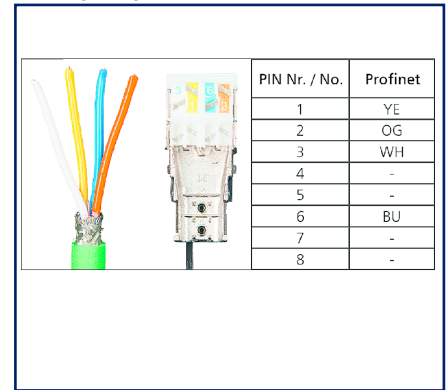
Illustrations



Dimensional drawing



Wiring diagram



See enlarged drawings at the end of document

Product specification

- Cat.5 class D RJ45 plug, 2 pairs, to be assembled in the field
- fully shielded and multi-port capable
- straight (180°) cable feed
- easy assembly - connection without special tools
- wire connection: stranded wire AWG 27/7 to 22/7, wire diameter from 0.46 to 0.76 mm
- wire connection: solid wire AWG 26/1 to 22/1, wire diameter from 0.409 to 0.64 mm
- transmission characteristics Cat.5 according to ISO/IEC 11801
- compliance with class D according to ISO/IEC 11801, DIN EN 50173-1
- 100 MBit suitable according to IEEE 802.3
- suitable for Remote Powering (PoE and PoE plus) and HDBaseT
- degree of protection IP20
- for cable jacket diameter from 5.5 to 10.5 mm
- zinc die-cast housing for industrial use consists of only 2 parts
- strain relief by latching clip directly on the stuffer cap
- protected locking hook
- reconnectable

P | Cabling

Data sheet

Page 2/7

C5 RJ45 field plug pro 2P PROFINET

P/N

130E405032PE

EAN 4250184189275

2023/05/30

Version: V

Technical Data

General Data

Fields of application	structured building cabling Industrial Ethernet office areas
Mechanical measurement according to MICE	M1
Ingress measurement according to MICE	I1
Climatic measurement according to MICE	C1
Electromagnetic measurement according to MICE	E2
Design	plug
Shielding	shielded
Transmission technology	Copper
Wiring	Profinet
Color	green
Dimensions	
Dimension (L x W x H)	49.8 mm x 13.8 mm x 9.3 mm
Dimension (L x W x H)	1.961 in. x 0.543 in. x 0.366 in.
Field assembly ability	yes
Multi-port capability	yes
Labeling option	on housing

Transmission characteristics

Category (ISO)	5
Class (ISO/IEC)	D
Category (TIA)	5
Remote Powering	yes
PoE	IEEE 802.3af
PoE plus	IEEE 802.3at
HDBaseT	yes
Transmission rate up to 100 MBit (Fast Ethernet)	IEEE 802.3u

Technical Data

Connections/interfaces

Connector technology interface 1	IDC-connection
Connector technology interface 2	RJ45 plug
Number of positions/contacts interface 1	4
Number of positions/contacts interface 2	4P/4C
Termination data, solid wire (min. - max.)	
Conductor cross section, solid wire	AWG 26/1 - AWG 22/1
Conductor cross section, solid wire	0.128 mm ² - 0.324 mm ²
Conductor diameter, solid wire (bare copper)	0.409 mm - 0.643 mm
Conductor diameter, solid wire (bare copper)	0.016 in. - 0.025 in.
Termination data, stranded wire (min. - max.)	
Conductor cross section, stranded wire	AWG 27/7 - AWG 22/7
Conductor cross section, stranded wire	0.111 mm ² - 0.355 mm ²
Conductor diameter, stranded wire (bare copper)	0.457 mm - 0.762 mm
Conductor diameter, stranded wire (bare copper)	0.018 in. - 0.03 in.
Cable sheath diameter (min. - max.)	
Cable sheath diameter	5.5 mm - 10.50
Cable sheath diameter	0.217 in. - 0.413
Cable access/outlet	180°
Reconnectibility	yes
Shield connection	flexible contact spring

Electrical characteristics

Current carrying capacity	max. 1 A
Rated voltage	max. 50 V
Contact resistance	max. 20 mOhm
Insulation resistance	min. 500 MOhm
Dielectric strength conductor-conductor (secondary)	min. 1000 V DC

P | Cabling

Data sheet

Page 4/7

C5 RJ45 field plug pro 2P PROFINET

P/N

130E405032PE

EAN 4250184189275

2023/05/30

Version: V

Technical Data

Mechanical data

Mounting method	snap-in function
Insertion and withdrawal force	max. 20 N
Position/mounting of latch standard installation position	top
strain relief	latching clip

Materials and material properties

Material - Housing	GD-Zn (zinc die-cast)
Material - Contact	CuSn (tin bronze)
Material - Contact finish	Ni + Au (nickel-gold)
Material - Latch	Plastics
Halogen free	yes
Material - Finish	Ni (nickel)
RoHS	compliant

Environmental conditions

Temperature (min. - max.)	
Temperature - Storage °C	-40 °C - 70 °C
Temperature - Storage °F	-40 °F - 158 °F
Temperature - Operating °C	-40 °C - 70 °C
Temperature - Operating °F	-40 °F - 158 °F
Particulate ingress	IP2X
Liquid ingress/immersion	IPX0

Approvals

UL listed (file no.)



DUXR.E178484

P | Cabling

Data sheet

Page 5/7

C5 RJ45 field plug pro 2P PROFINET

P/N

130E405032PE

EAN 4250184189275

2023/05/30

Version: V

Technical Data

Standards/Regulations

Generic cabling systems

Office buildings ISO/IEC 11801 Ed.2.2: 2011-06 | DIN EN 50173-2

Industrial area ISO/IEC 24702 | DIN EN 50173-3

Application-specific communications cabling systems

Profinet yes

UL standard for Communications-Circuit Accessories UL 1863

Industrial communication networks
Installation in industrial premises IEC 61918

Classifications

ETIM 5.0 EC001121

ETIM 6.0 EC001121

ETIM 7.0 EC001121

ETIM 8.0 EC001121

ETIM 9.0 EC001121

Packing details

Type of packaging 10 pc(s) / box

Packaging unit - Weight (gram) 413 g

Packaging unit - Weight (pound) 0.91 lb

Packaging dimension 258 mm x 164 mm x 51 mm

Packaging dimension 10.157 in. x 6.457 in. x 2.008 in.

P | Cabling

Data sheet

Page 6/7

C5 RJ45 field plug pro 2P PROFINET

P/N

130E405032PE

EAN 4250184189275

2023/05/30

Version: V

Accessories from

P/N	Designation
14040000-E	MCO IP69k protective housing for outdoor use, set for exposed installation
14040010-E	MCO IP69k Protective housing for outdoor use, set with mounting bracket
14040100-E	MCO IP69k Protective housing for outdoor use, set wall/ housing bushing

P | Cabling

Data sheet

Page 7/7

C5 RJ45 field plug pro 2P PROFINET

P/N

130E405032PE

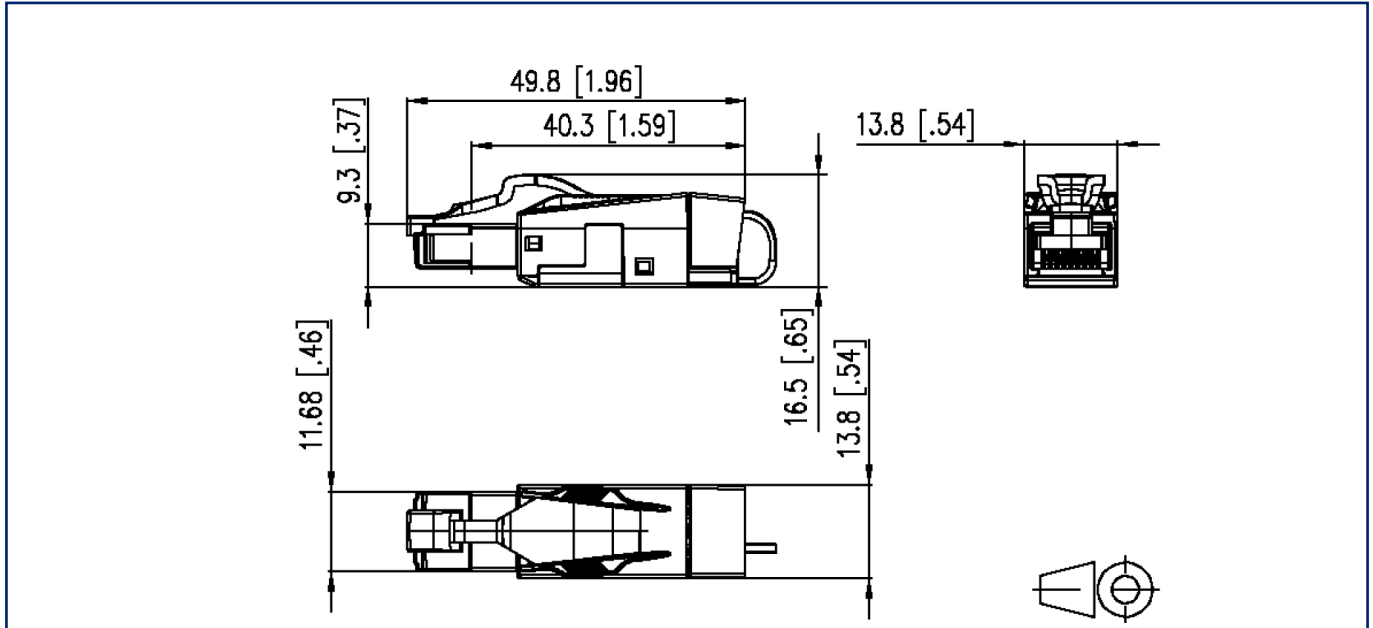
EAN 4250184189275

2023/05/30

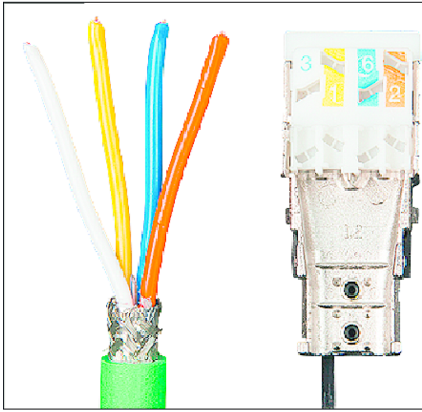
Version: V

Illustrations

Dimensional drawing



Wiring diagram



PIN Nr. / No.	Profinet
1	YE
2	OG
3	WH
4	-
5	-
6	BU
7	-
8	-