



Datenblatt - Fiche technique - Data sheet

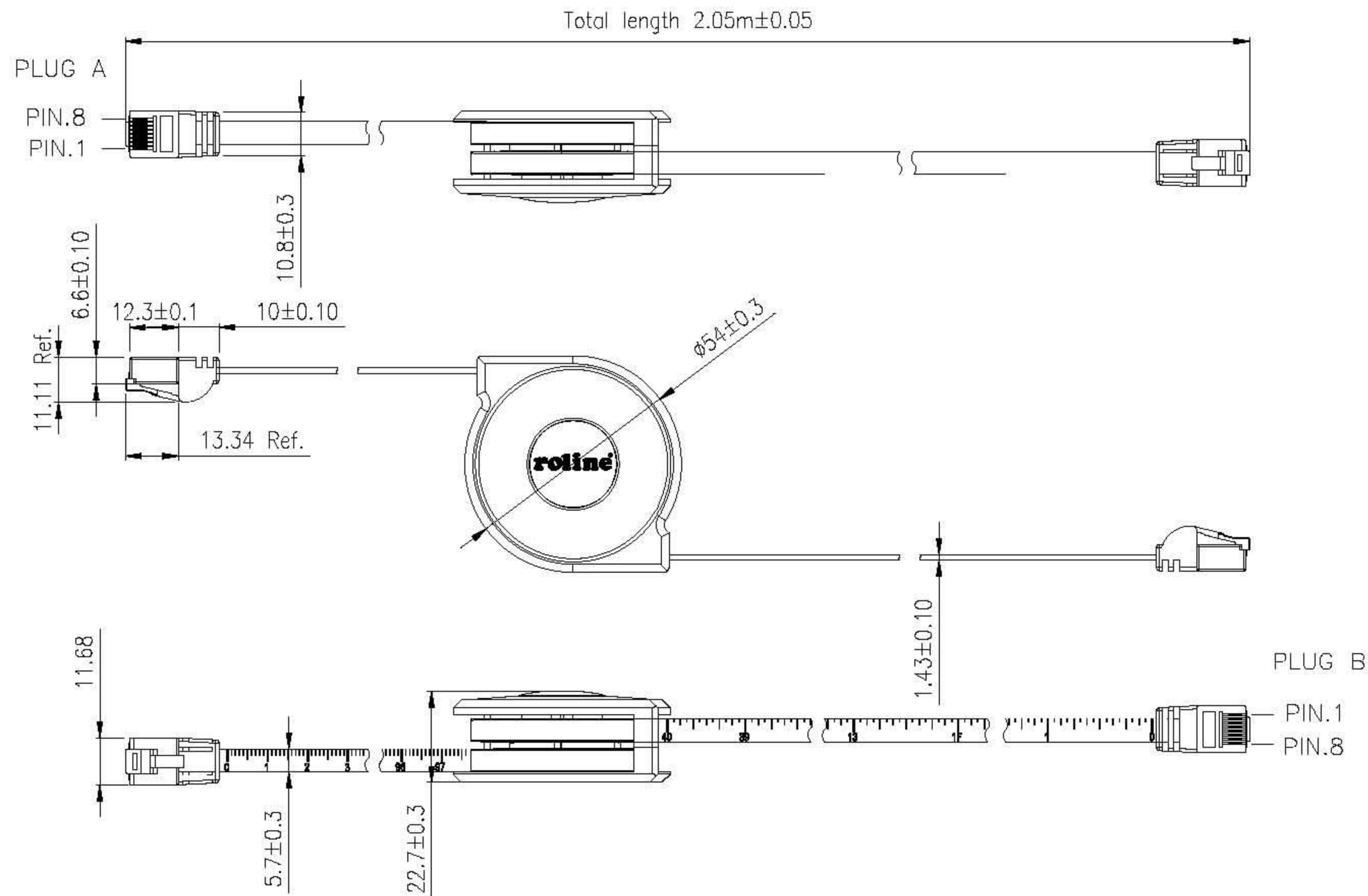
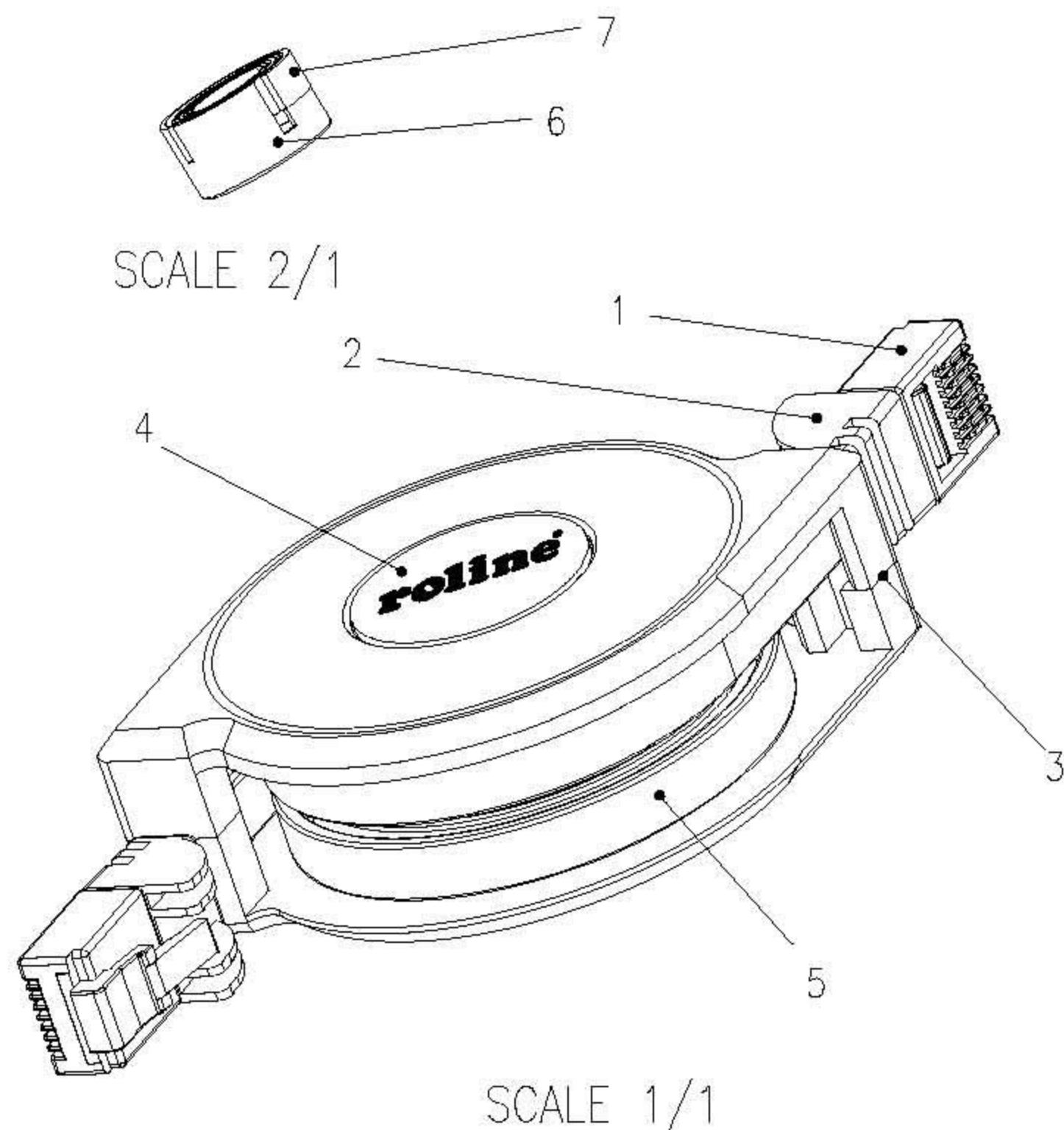
21.15.0591



ROLINE UTP-Patchkabel konf. Kat. 5e, schwarz, 2,0 m, mit Aufrollautomatik

Cordon ROLINE Cat.5e UTP confectionné, noir, 2,0 m, avec enrouleur

ROLINE UTP Patch Cord Cat.5e, black, 2.0 m, Retractable



Specification :

Material :

1. RJ45 Plug : (P/N PY8850)
 - 1-1. Housing : Polycarbonate, UL 94V-2, Transparent color.
 - 1-2. Contact material : Phosphor Bronze with 50-60 micro-inch Nickel plated.
 - 1-3. Contact finished : Min. 50 micro-inch Gold plated.
2. Narrow PVC Molded.
3. Top & Bottom case: ABS + PC, UL 94V-0.
4. Glue sticks paper : 100PET only silver paper Environmental protection resin glue of 2mm.
5. Cable : UTP Unshielded Flat and Twisted,
 - 4 pair Stranded wire UL material approved.
 - 30 AWG conductor and PVC jacket.
6. Rotation axis : Polycarbonate, UL 94V-2, Black color.
7. Straight springs : Stainless steel 700mm X 7mm X 0.15mm.

GENERAL TOLERANCE OF DIMENSIONS X.XXX ±0.005 X.XX ±0.05 X.X ±0.1	DRAWING	20.SEP.2010	Connie	<h1>rotronic</h1>	
	CHECK	20.SEP.2010	Maer		
	APPROVAL	20.SEP.2010	Yty		
		DATE	NAME	Item No.: 21.15.0591	
	SCALE	1/2 (A4)	UNIT	mm	DES.: Cat.6 Patch Cord
	DRAWING NO. ACCBXXX002X0022(SA1)		DRAWING CLASSIFICATION		SHEET 1 OF 1