

SB 5-12 / 5-12L (12V 5Ah)

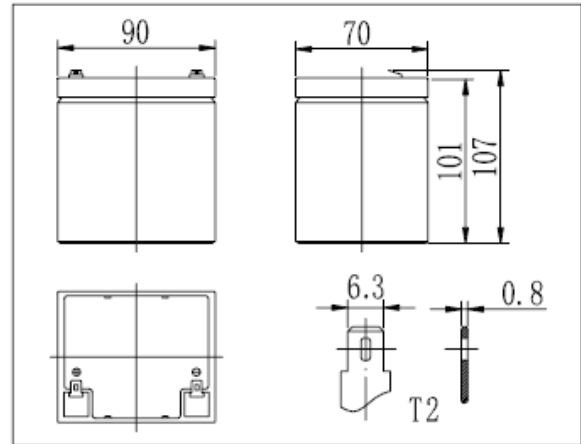
General Purpose battery with 6-9 years design life (EUROBAT)

Status: 02-2009

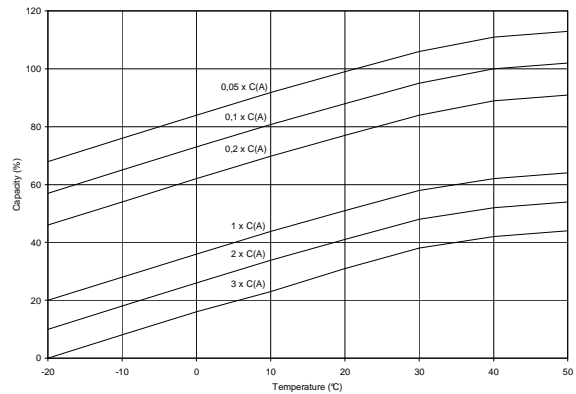
Specifications

Nominal Voltage		12V
Capacity (20hr@25°C@1.75V/C)		5Ah
Dimensions	Length	90mm (3.54inch)
	Width	70mm (2.76inch)
	Height	101mm (3.98inch)
	Total Height	107mm (4.21inch)
Approx. Weight		1.65kg (3.64lbs)
Maximum charging current		1.5A
Maximum discharge current		75A (5sec.)
Internal resistance (Fully charged, 25°C)		Approx. 33mΩ
Capacity affected by temperature (10hr)	40°C	102%
	25°C	100%
	0°C	85%
	-15°C	65%
Self-discharge (25°C)	3 month	Remaining Capacity: 91%
	6 month	Remaining Capacity: 82%
	12 month	Remaining Capacity: 65%
Nominal operating temperature		25°C ±3°C (77°F±5°F)
Operating temperature range		-15°C ~ 50°C (5°F ~ 122°F)
Float charging voltage (25°C)		13.65 to 13.80V
Cyclic charging voltage (25°C)		14.50 to 14.90V
Absorbent glass mat technology		
ABS (UL94-HB) container		Recognized by UL & CE

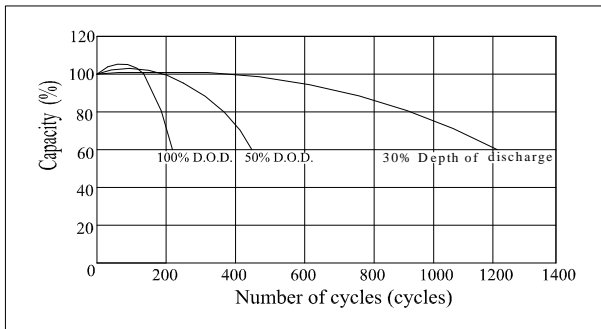
Dimensions



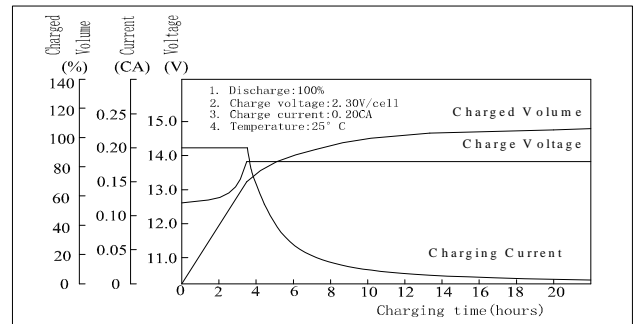
Temperature Effects in Relation to Battery Capacity



Cycle Life (25°C)



Charging Characteristics (25°C)



Constant Current Discharge Characteristics (Ampere per Battery, 25°C)

F.V./TIME	5min	10min	15min	30min	1h	2h	3h	4h	5h	8h	10h	20h
9.60V	18,80	13,62	9,31	5,70	3,29	2,25	1,42	1,16	0,91	0,69	0,50	0,26
10.2V	18,40	13,33	9,11	5,57	3,22	2,21	1,39	1,14	0,89	0,67	0,48	0,26
10.8V	17,30	12,54	8,57	5,24	3,03	2,07	1,30	1,07	0,84	0,63	0,46	0,24

Constant Power Discharge Characteristics (Watt per Battery, 25°C)

F.V./TIME	5min	10min	15min	30min	1h	2h	3h	4h	5h	8h	10h	20h
9.60V	203,98	149,72	103,38	63,97	37,23	25,71	16,30	13,51	10,65	8,12	5,86	3,09
10.2V	203,66	149,49	103,22	63,87	37,17	25,67	16,27	13,49	10,64	8,11	5,85	3,08
10.8V	193,20	141,80	97,91	60,59	35,26	24,35	15,44	12,79	10,09	7,69	5,55	2,93

All mentioned values are average values.