



Datenblatt - Fiche technique - Data sheet

17.03.1198



ROLINE LCD-Wandhalterung, 5 Gelenke, schwarz

ROLINE Bras LCD pivotant, 5 pivots, montage mural, noir

ROLINE LCD Monitor Arm, Wall Mount, 5 Joints, black

Item no.: 17.03.1198

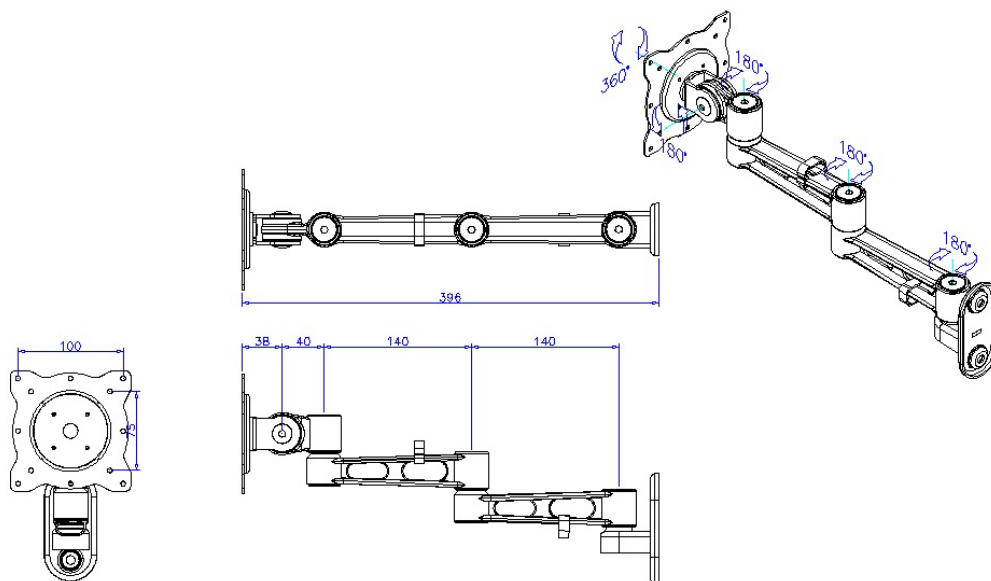
ROLINE LCD Monitor Arm, Wall Mount, 5 Joints, black



Features:

- Mounts your screen to the wall and monitor can be tilted, swivelled & rotated
- Meets with VESA 75x75 or 100x100mm
- Weight Capacity: max. 10kg
- Mounts your LCD monitor onto the wall with a 40cm long arm
- Material: aluminum

Drawing:



unit : mm