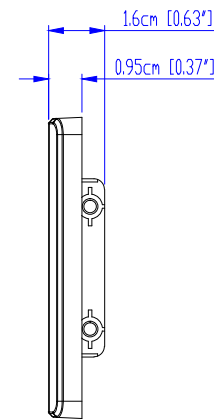
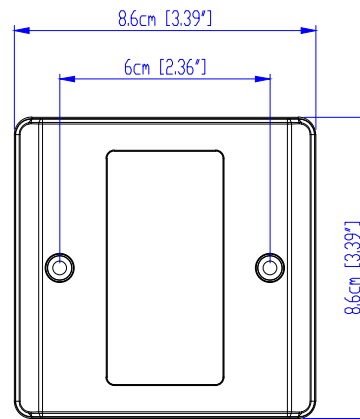
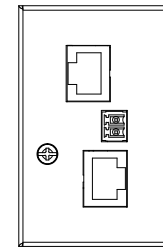
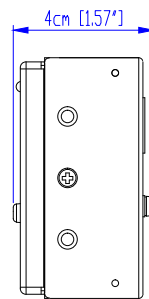
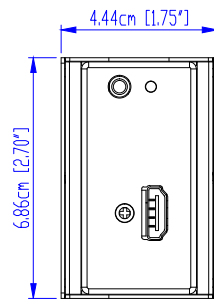
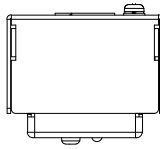
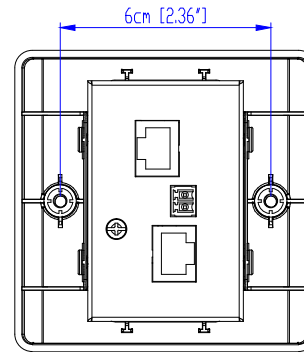
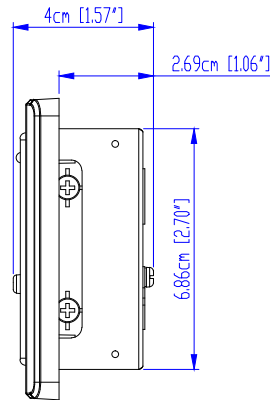
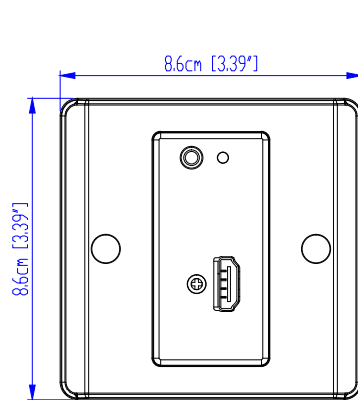
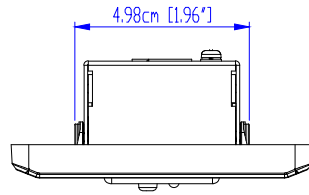


# CAD Drawings



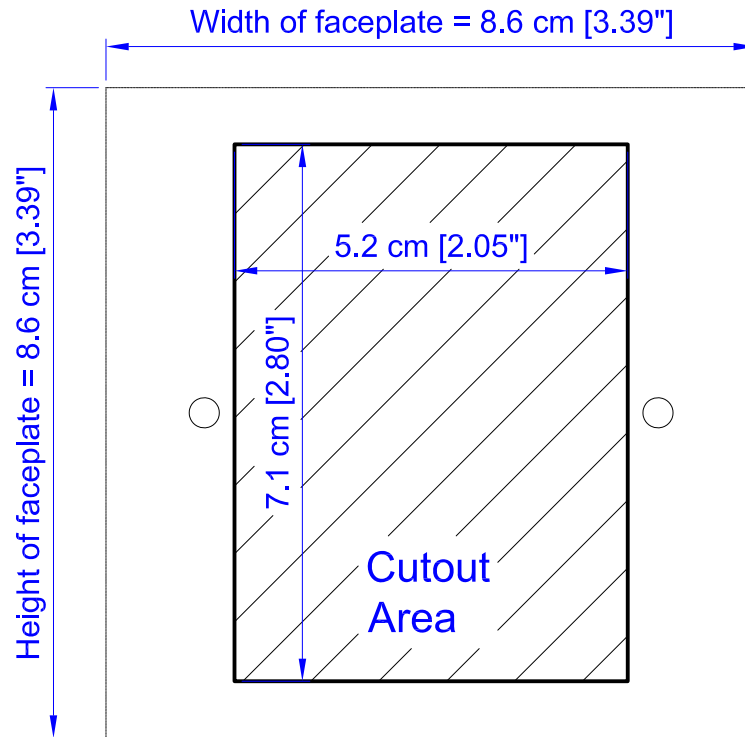


**ATEN**  
**VE807T**



**ATEN**  
**VE807T**

# Panel Mount Cutout



**Note:** ATEN recommends a 1-gang wall box with a depth of at least 4.5 cm (1.77 inches) to accommodate the connectors and cables.



**VE157/607/807**