

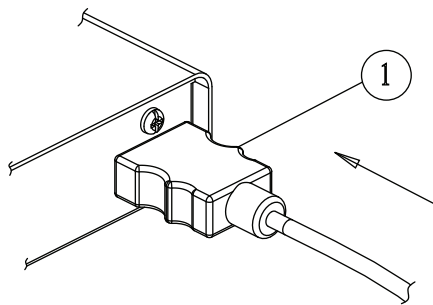
# LockPro - 2X-EA12

## User Guide

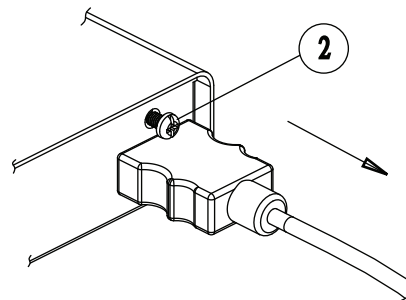
A universal HDMI cable lock that provides the easiest way to secure a HDMI cable to most HDMI devices.

### Installation:

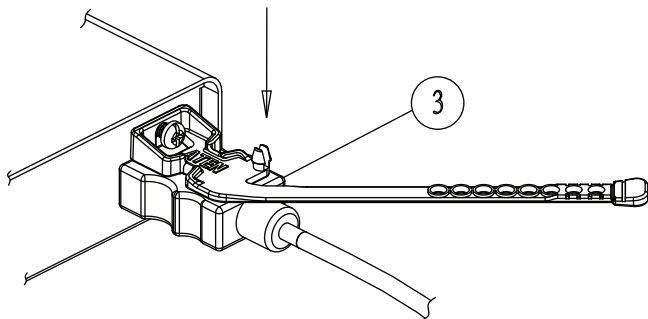
1. Ensure the HDMI cable is firmly connected.



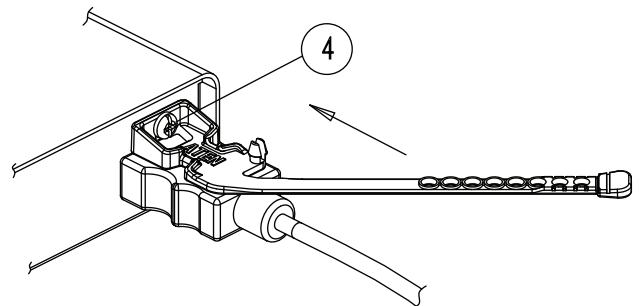
2. Loosen the port screw slightly.



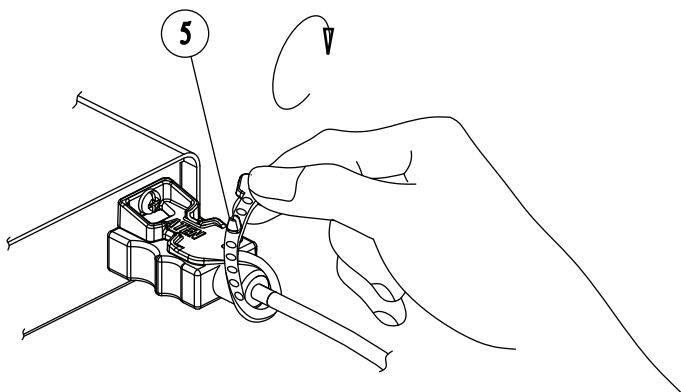
3. Slide the head of the LockPro over the screw.



4. Tighten the screw to firmly attach the LockPro.



5. Tightly wrap the tail of the LockPro around the narrowest part of the HDMI cable. Securely connect the LockPro tail to the LockPro head via the buckle mechanism. Make sure it clips into place and cannot come loose.



SPECIFICATIONS	
Dimensions (LxWxH)	8.61 x 6.47 x 0.66 cm
Weight	1.4 g
Storage Temperature	-20 – 60°C
Humidity	0-80% RH, Non-Condensing