



Datenblatt - Fiche technique - Data sheet

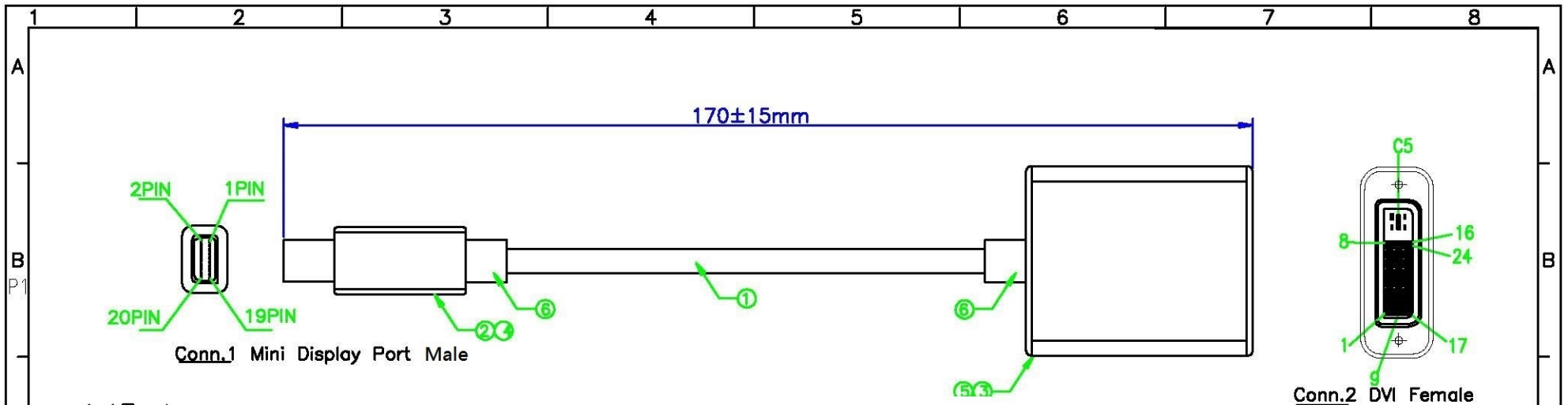
12.99.3128



VALUE Mini DisplayPort-DVI Adapter, Mini DP ST - DVI BU

VALUE Adaptateur Mini DisplayPort-DVI, MiniDP M - DVI F

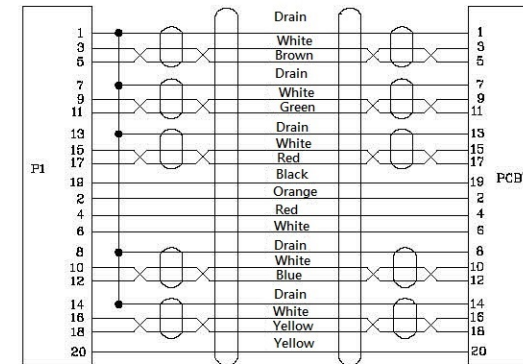
VALUE Cableadapter, MiniDP M - DVI F



1.1 Features

- Support DisplayPort 1.1 input and DVI output.
- Support DVI highest video resolution 1080p.
- Support DVI 225MHz/2.25Gbps per channel (6.75Gbps all channel) bandwidth.
- Support DVI 12bit per channel (36bit all channel) deep color.
- Powered from Mini DisplayPort source.

PIN Assignment



⑥	S.R. Molding 45P PVC, color: Black	1	pcs
⑤	Plasitic Hood for DVI, Material: ABS, Color: Black	16	Set
④	Plasitic Hood for Mini DP, Material: ABS, Color: Black	1	Set
③	Mini DP to DVI Converter With DVI Female, PCB+SMT DVI Pin Gold Plated	1	set
②	Mini Display Port Male, Insulation: White, Material: LCP, Pin Gold Plated, Shell Nickel Plated	1	set
①	Display Port Cable UL20276 [32AWG(7/0.08TC)*1P+D.W+AL +Mylar)*5+32AWG(7/0.08TC)*5C+AL/MY+D.W+BD+Jacket PVC Color: Black OD:4.8±0.2mm	0.17	m
NO.	DESCRIPTION	Q'TY	UNIT

REV.	DATE	CONTENTS OF CHANGE	DESIGNER	TOL ±									APPROVAL	CHECK	DRAWING	DESIGN	Desc.	VALUE Cable Adapter, Mini DP M - DVI F 17cm, black color		
					RANGE	Pld	Met	Ina	Por	Cap	Pac	Gas						DIS	DATE	Item No.
△				0~6	0.1	0.1	0.1	0.2	0.5	1	0.5	0.2					2013-07-20	12.99.3128	R00	
△				6~30	0.1	0.1	.15	.25	1	1	0.5	.25								
△				30~80	0.1	.15	0.2	0.3	2	1.5	1	0.3								
△				80~180	.15	.15	.25	0.3	2	2	1	.45								
△				180~315	.15	0.2	0.3	0.4	2.5	2	1	0.6								
△				315~800	0.2	0.3	0.4	0.5	3	3	2	1.1								



SCALE 1:1 UNIT MM