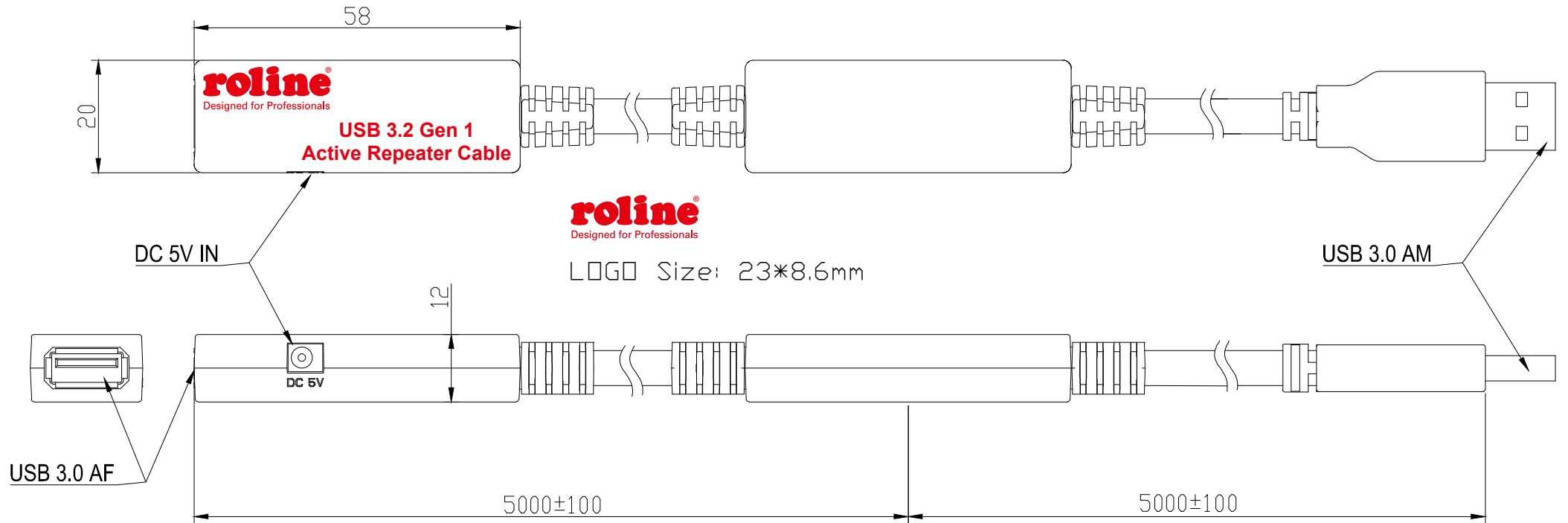


| | | |
|------------------|-------------|------|
| FILE AMEND NOTE | DATE | REV. |
| ORIGINAL EDITION | JUN 19 2020 | B/0 |



NOTE:

- 1.CABLE:USB 3.0 UL20276(1P#26+D+AL+Mylar)*2C+1P#26+2C#22+AL+B O6.0 Black
PVC JACKET :PVC 45P COLOR BLACK
CABLE PRINTED :NO
- 2.CONNECTOR:
P1:3.0Ver USB_A M. Blue Insulator.Shell Nickel Plated.Contact Gold Plated.
P2:3.0Ver USB_A F. Blue Insulator.Shell Nickel Plated.Contact Gold Plated.
- 3.DC IN:DC 5V. Ø3.5mm.
- 4.HOOD:Injection Molding ,ABS,COLOR:BLACK.
- 5.CABLE TEST REQUEST:
(1) 100% OPEN SHORT & MIS WIRE TEST .
(2) CONDUCTIVE RESISTANCE: 3 OHM Max .
(3) INSULATION RESISTANCE: 10M OHMS Min .
(4) INSULATION Voltage: 300V DC/10ms.
(5) HI-Pot: AC300V,10ms.
(6) All Test Duability: 0.1SEC.

| | | | |
|---------------|--|-----------|-------|
| NAME | ROLINE USB3.2 Gen1 Active Repeater Cable 10m | | |
| Item No. | 12.04.1070 | | |
| SECOMP | MAPE | TOLERANCE | |
| | | X. | ±1.00 |
| | | X.X | ±0.50 |
| | DRAW BY | SCALE | MM |
| | PAGE | 1/1 | |