



Datenblatt - Fiche technique - Data sheet

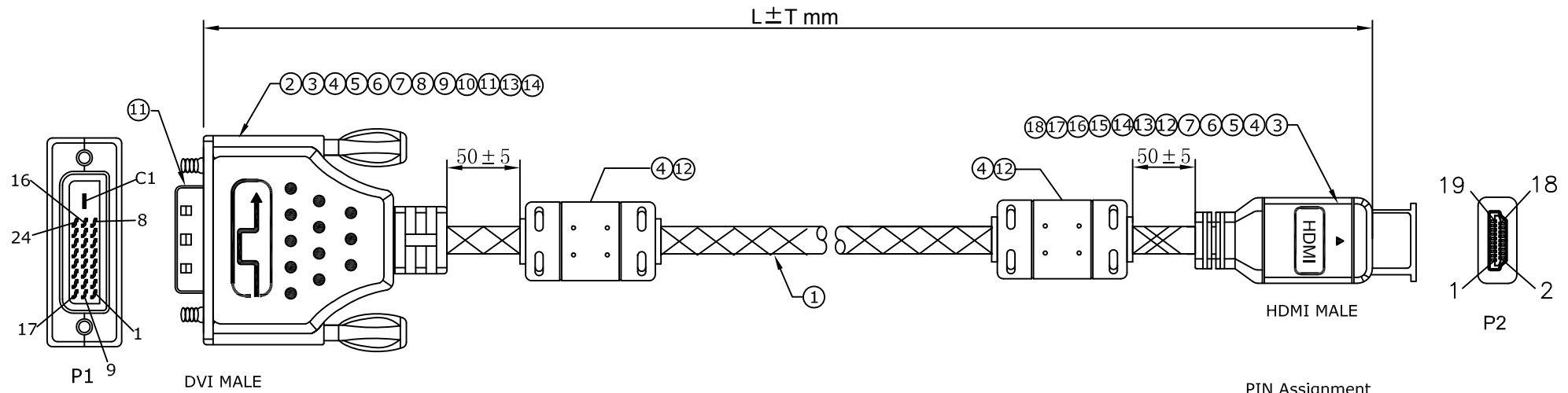
11.88.5891



ROLINE GOLD Monitorkabel DVI-HDMI, ST-ST, (24+1) dual link, 2,0 m

ROLINE GOLD Câble pour écran DVI-HDMI, M-M, (24+1) dual link, 2,0 m

ROLINE GOLD Monitor Cable, DVI (24+1) - HDMI, Dual Link, M/M, 2.0 m

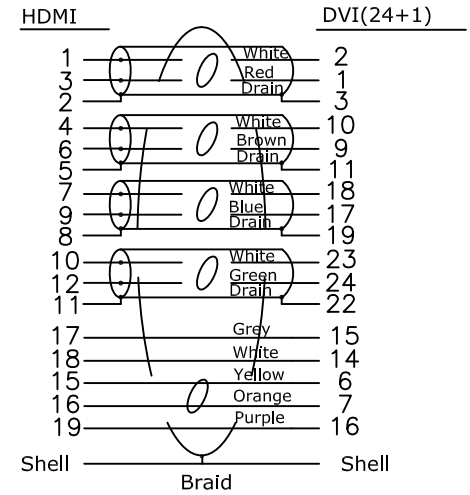


ELECTRICAL TEST:

- 1.100% OPEN SHORT & MIS WIRE TEST
- 2.CONTACT RESISTANCE:2 OHM(MAX)
- 3.INSULATION RESISTANCE:10M OHM(MIN)
- 4.HI-POT TEST:DC 300V/10ms

| Part No. | Length |
|------------|-----------|
| 11.04.5890 | 1000±30MM |
| 11.04.5891 | 2000±30MM |
| 11.04.5892 | 3000±50MM |

PIN Assignment



| | | | |
|----|---|-------|------|
| 18 | HDMI 20# BLACK ABS HOOD | 1 | pcs |
| 17 | HDMI M TRANSPARENT DUST COVER | 1 | pcs |
| 16 | HDMI # 20 die golden shiny aluminum alloy shell Single radium vulture HDMI LOGO | 1 | pcs |
| 15 | HDMI M 19P BLACK INSULATION SHELL PLATED:GOLD CONTACT:G/F | 1 | pcs |
| 14 | W: 22 mm double guide copper foil | 0.24 | M |
| 13 | Nickel plating line buckle OD:7.3 (YB07080702) | 2 | pcs |
| 12 | CORE 28.5*17.5*9.5MM | 2 | pcs |
| 11 | DVI M TRANSPARENT DUST COVER | 1 | pcs |
| 10 | DVI 24 # mold golden shiny aluminum alloy shell radium vulture DVI LOGO | 1 | pcs |
| 9 | DVI 24 # mold golden shiny aluminum alloy shell radium vulture DVI LOGO | 1 | pcs |
| 8 | #4-40UNC 4*38.5 Gold-plated screws | 4 | pcs |
| 7 | TUBE BLACK : ϕ 1.5*22mm THICK | 0.044 | m |
| 6 | TUBE BLACK : ϕ 1.0*12mm THIN | 0.168 | m |
| 5 | TUBE BLACK ϕ2.0*10mm THIN | 0.14 | m |
| 4 | 45P BLACK PVC ROHS | 40 | g |
| 3 | TRANSPARENT PE | 6 | g |
| 2 | DVI(24+1) M SOLDER TYPE,GOLD PLATED,BLACK INSULATION | 1 | pcs |
| 1 | (1P*30#+D+AL+ML)*4+1P*30#+3C*30#+AL+D+B(50% AL) OD 5.5mm, PVC Jacket BLACK nylon sleeve | L | M |
| NO | DESCRIPTION | Q'TY | UNIT |

| REV. | ECN | DESCRIPTION | DATE | NAME |
|----------|-------------------------|--|------------|-------------|
| ⊕ ⊖ | TOLERANCE INCHES M/M | SECOMP ROLINE Gold DVI/HDMI Cable, M/M | | |
| .X | .015 .30 | | | |
| .XX | .010 .10 | | | |
| .XXX | .005 .05 | P/N: 11.04.5890 /11.04.5891/11.04.5892 | | |
| DRAWN BY | ZhouWenLong | SCALE | NONE | DRAWING NO: |
| CHECK BY | | UNIT | MM | |
| APPD BY | | DATE | 2017.03.15 | 1/1 |