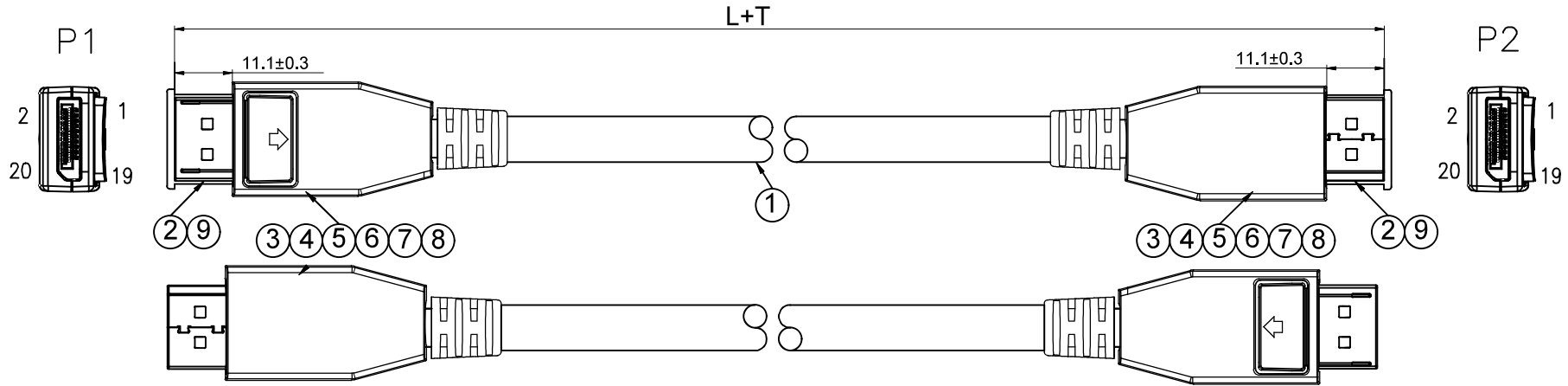
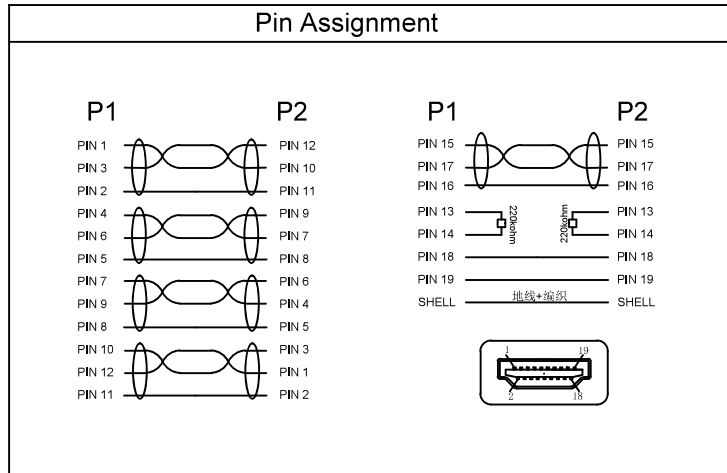


REV.	DESCRIPTION	DATE
A		2025-10-23
B		2025-12-15



Test standard:

- 100% OPEN/SHORT TEST
- CONDUCTIVE RESISTANCE : 5 OHMS MAX
- INSULATION RESISTANCE : 5M OHMS MIN
- HI-POT : 300V DC/0.1SEC
- THE PRODUCT IS ROHS COMPLIANT.
- Functional testing requirements: Support 4k@240hz 8k@120hz 16k@60hz Audio and video, without any defects such as snowflakes,glitter, or ghosting



PART NO.	LENGTH
11.44.6025	1000±30mm
11.44.6026	2000±30mm

Number	Material Name	SPECIFICATIONS	Usage	Remarks
1	Wire	28#, 1/0. 32B*2C+D+AL+HM)*4C+1/0. 254B*2C+D+AL+HM)*1C+1/0. 254B*2C+F+AB16/6/0. 12AL BLACK TPE OD5.5	1PCS	
2	Connector	DP iron shell-gold-plated-with card slot-without PC board-with 220KΩ resistor-tin-added (Front cover orange)	2PCS	
3	Wire Clip	Large DP bracket-30 bare wires-1.4 version,non-standard-manual wiring (5 pairs in parallel)	2PCS	
4	Shield Shell	Large DP shield iron shell-upper and lower covers-with convex points-nickel plated (OD6.0 - 6.5)	2SET	
5	Copper Foil	Double-sided conductive copper foil W6*L35MM	2PCS	
6	Inner Mold Material	PE transparent material	A/R	
7	SR	Black TPE	A/R	
8	Outer Rubber Shell	Large DP outer rubber shell type B - upper and lower covers	2SET	
9	Dust Cap	DP dust cap, non-directional (environmentally friendly material)	2PCS	

ITEM NUMBER	DRAWER			Liang
TITLE	GREEN DP v2.1 Cable,M/M,16K/80G			CHECKED
MATERIAL	SCALE	APPROVED		
REV.	A	UNIT	mm	
DRAWING NO:				

