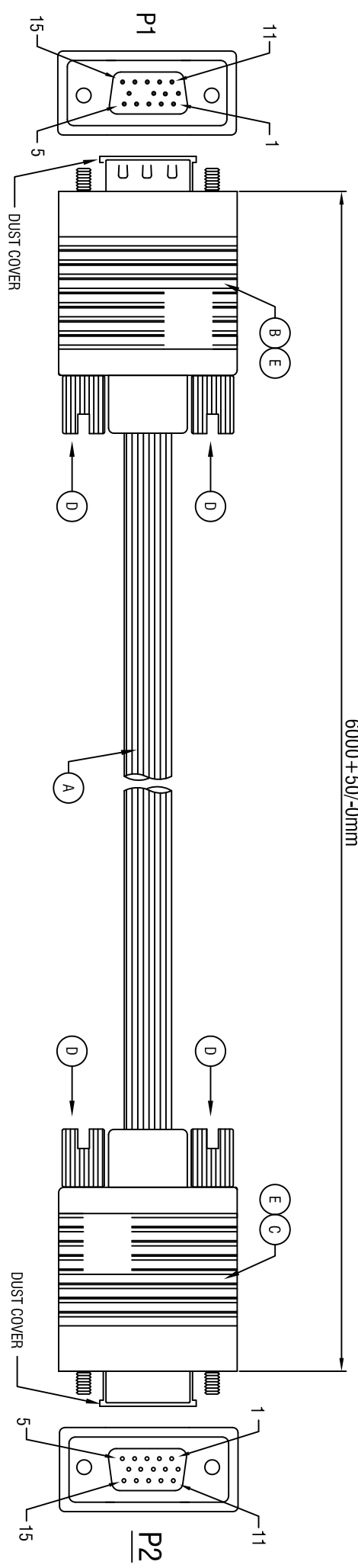
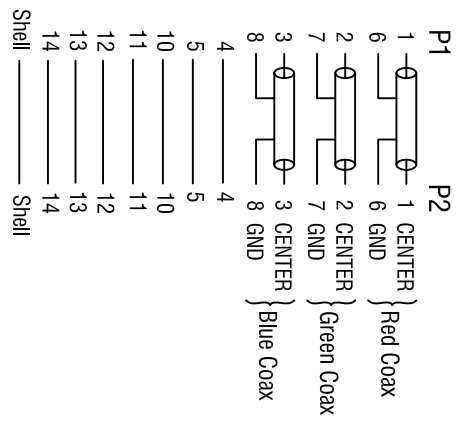


6000 ±50/-0mm



WIRE ADDRESS



- Electrical Test:
- 1.100% TEST OPEN SHORT MIS-WIRE.
 - 2.CONTACT RESISTANCE:5Ω MAX.
 - 3.INSULATION RESISTANCE:5MΩ MIN.
 - 4.HI-POT:300V DC/10MS.
 - 5.Real Test Passed 1280*1024.
 - 6.Real Test Not Twinkling,Double Vision and Decolor.

E	45P BLACK PVC	G
D	HD37.7 Screw	4 PCS
C	HDB15P FEMALE (PIN9 OUT,Black Insulator Nickel Plated)	1 PCS
B	HDB15P MALE (PIN9 OUT,Black Insulator Nickel Plated)	1 PCS
A	UL2919,28# 3COAX+28#*7C+ADB, OD=8.0mm BLACK DENTATE PVC JACKET.	1 PCS
F	PRODUCT SPECIFICATIONS	
NUMBER	1	2
	4	

ROLINE HQ VGA Cable, HD15 M - HD15 F, 6.0m	
Item	11.04.5306
Draw	<i>Make</i> Date: 2020.05.13
Approval	
Duty	F16 BOM.NO.:13916
Sample NO.	
Drawings of 1 (2) Proportion: 1:1 Unit(mm)	
A4	

