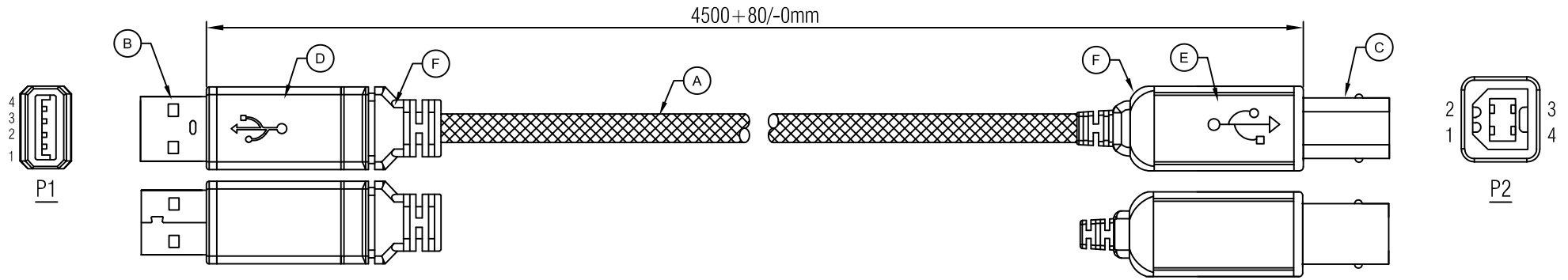
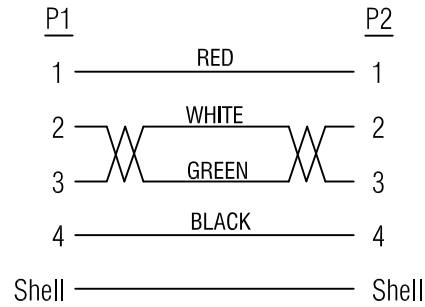


RoHS Compliant



WIRE ADDRESS



Electrical Test:

- 1.100% TEST OPEN SHORT MIS-WIRE.
- 2.CONTACT RESISTANCE:3Ω MAX.
- 3.INSULATION RESISTANCE:5MΩ MIN.
- 4.HI-POT:300V DC/10MS.
- 5.SUPPORT USB 2.0 480Mbps.

NUMBER	PRODUCT SPECIFICATIONS	Quantity	Unit
F	45P PVC BLACK		G
E	USB B/M, ASSEMBLY GOLD ALUMINIUM SHELL	1	PCS
D	USB A/M, ASSEMBLY GOLD ALUMINIUM SHELL	1	PCS
C	USB B MALE(White Insulator, Shell Gold Plated,Pin Gold Plated 30U")	1	PCS
B	USB A MALE(White Insulator, Shell Gold Plated,Pin Gold Plated 30U")	1	PCS
A	UL 2725 28#*1P+24#*2C + ADB,OD=3.5 BLACK COLOR PVC JACKET +Nylon net	1	PCS

ROLINE GOLD USB 2.0 Cable,A-B,M/M,4.5m		
Item	11.02.8805	
Draw	Sam	Date: 2014.11.28
Approval		
Duty	F16	BOM.NO:10813

