



Datenblatt - Fiche technique - Data sheet

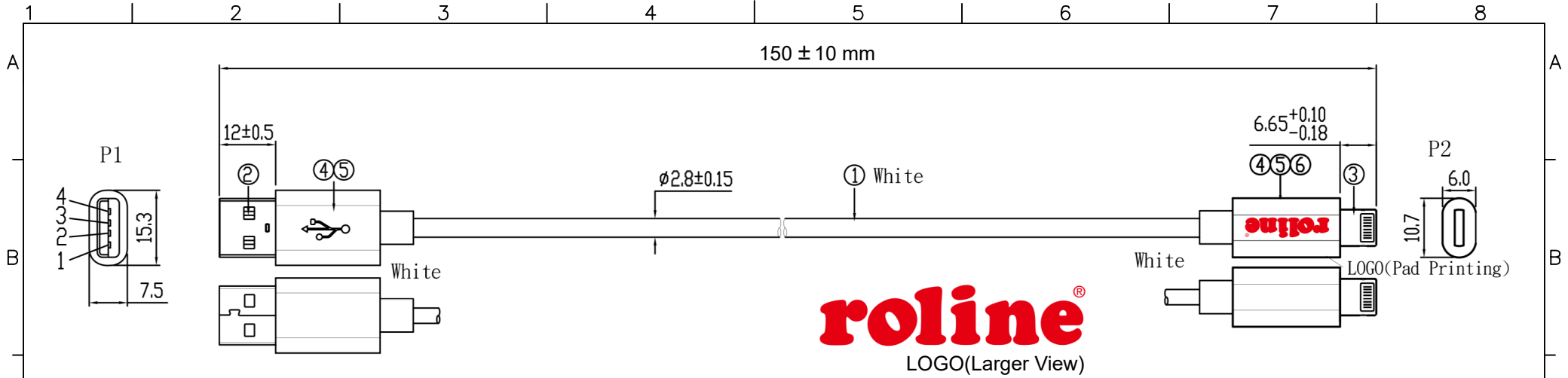
11.02.8326



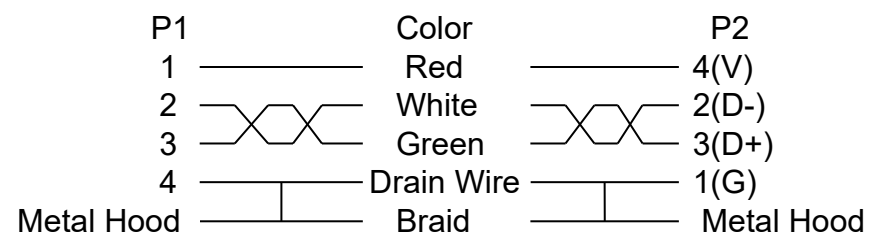
ROLINE USB 2.0 Sync- & Ladekabel für Apple Geräte mit Lightning Connector,
weiss, 0,15 m

ROLINE Câble de charge et synchronisation pour appareils Apple à connecteur
Lightning, blanc, 0,15 m

ROLINE Lightning to USB cable for iPhone, iPod, iPad, white, 0.15 m




Pin Assignment



Description :

- 1 Wire 26AWG *2C+30AWG*2C+FAB PVC : White, OD=2.8mm
- 2 Conn USB AM Nickel Plated Soldering Type, Molding : PVC
- 3 Conn Lightning 8P (Model No. : C48), Molding : PVC
- 4 PE Inner Mold : LDPE(Translucent)
- 5 PVC 45P, Color : White
- 6 Hood Metal Hood for C48, Stainless Steel, Thickness 0.25mm
- 7 PCB L7.15 * W5.30 * T0.6mm

REV.	DATE	CONTENTS OF CHANGE	DESIGNER	TOL ±								APPROVAL	CHECK	DRAWING	DESIGN	DRAWING NAME	ROLINE USB AM TO LIGHTNING 8P CABLE			
				RANGE	Pla	Met	Ins	Por	V Cab	Pac	Gas						DIS	DATE	PART NO.	11.02.8326
①				0~6	0.1	0.1	0.1	0.2	0.5	1	0.5	0.2	PHILP	PHILP	TREE	2016-05-6				
②				6~30	0.1	0.1	.15	.25	1	1	0.5	.25								
③				30~80	0.1	.15	0.2	0.3	2	1.5	1	0.3								
④				80~180	.15	.15	.25	0.3	2	2	1	.45								
⑤				180~315	.15	0.2	0.3	0.4	2.5	2	1	0.6								
				315~800	0.2	0.3	0.4	0.5	3	3	2	1.1		SCALE	1:1	UNIT	MM			

