



## *maxpowerPRO*

### AC/DC Converter compactPCI

13100 – 141 250 W

13100 – 145 500 W

- Fully compliant with PICMG 2.11 compactPCI specification
- High density design in industry standard  
3 U x 8 HP x 160 mm cassette 250 W  
6 U x 8 HP x 160 mm cassette 500 W
- Input voltage range 90...264V<sub>AC</sub> with PFC
- 4 high current outputs with flexible load distribution
- Highly efficient topology with synchronous rectifiers
- Included Or-ing FETs / Diode for true redundant operation
- Remote sense, active current share for 3 outputs
- compactPCI compatible signalling
- Safety according IEC/EN 60950-1 and UL 60950-1: cRUus / CE / TÜV

### Selection Chart

Output 1		Output 2		Output 3		Output 4		Input Voltage $U_i$ [V <sub>AC</sub> ]	Rated Power $P_{o\ nom}$ [W]	Type	Schroff part number
$U_{o\ nom}$ [V <sub>DC</sub> ]	$I_{o\ max}$ [A]	$U_{o\ nom}$ [V <sub>DC</sub> ]	$I_{o\ max}$ [A]	$U_{o\ nom}$ [V <sub>DC</sub> ]	$I_{o\ max}$ [A]	$U_{o\ nom}$ [V <sub>DC</sub> ]	$I_{o\ max}$ [A]				
5.0	40	3.3	40	12	5.5	-12	2	90 - 264	250	CPA250	13100-141
5.0	50	3.3	60	12	12	-12	4	90 - 264	500	CPA500	13100-145

### Purpose / Description

The *maxpowerPRO* Series are highly reliable power supplies for CompactPCI® systems, which are increasingly used in communications, industrial, military, aerospace, and other applications. These power supplies offer high power density in plug-in modules that meet the requirements of the PICMG® power interface specification for CompactPCI® systems.

The converters use the patented EDGE™ technology and provide important advantages such as flexible output power, extremely high efficiency, excellent reliability, full input-to-output isolation, negligible inrush current, hot-swap capability, soft start, and overtemperature protection.

The inputs are protected against surges and transients occurring on the source lines and cover an operating input voltage range from 90 to 264 V<sub>AC</sub>.

### Important Note

**Please read this operation instruction carefully before applying power. The warranty is subject to correct input voltages being applied. Repairs or modifications made by anyone other than SCHROFF will invalidate the warranty. This documentation has been compiled with the utmost care. We cannot however guarantee its correctness in every respect.**

**Electrical Input Data**

**General Conditions:  $T_A = 25\text{ }^\circ\text{C}$ , unless  $T_C$  is specified.**

Input			CPA250			CPA500			Unit
Characteristics	Conditions		min	typ	max	min	typ	max	
$V_i$	Rated input voltage range	$I_o = 0 - I_o \text{ max}$	100		240	100		240	$V_{AC}^1$
$V_{i \text{ op}}$	Operating input voltage	$T_C \text{ min} - T_C \text{ max}$	90		264	90		264	
$V_{i \text{ nom}}$	Nom. input voltage	50 – 60 Hz <sup>1</sup>		230			230		
$V_{i \text{ abs}}$	Input voltage limits	without damage			280	0		280	
$I_i$	Typical input current	$V_{i \text{ nom}}, I_o \text{ nom}$		1.4			2.8		A
$I_{i \text{ max}}$	Max. input current	$V_{i \text{ min}}, I_o \text{ nom}$		3.6	4.0		7.1		
$I_{i \text{ nr p}}$	Peak inrush current	$V_{i \text{ max}}, I_o \text{ nom}$			15			20	
$P_{i \text{ o}}$	No-load input power	$V_{i \text{ min}} - V_{i \text{ max}}, I_o = 0$		23	30		26	32	W
$P_{i \text{ inh}}$	Input power, when inhibited	$V_{i \text{ min}} - V_{i \text{ max}}$			3.2			3.2	
$C_i$	Input capacitance			1			4		$\mu\text{F}$
$f_{\text{switch}}$	Switching frequency	$V_{i \text{ nom}}, I_o \text{ nom}$		135			135		kHz
$t_h$	Hold-up time	$V_{i \text{ min}} \rightarrow 0 \text{ V}, I_o \text{ nom}$							ms
$t_{\text{bo}}$	Brown-out time	$V_{i \text{ nom}}, I_o \text{ nom}$	20			20			
$t_{\text{su}}$	Start-up time	$V_{i \text{ nom}}, I_o \text{ nom}$		150			150		
	Power factor	$V_{i \text{ nom}}, I_o \text{ nom}$	0.95			0.95			

<sup>1</sup> Rated input frequency: 50 – 60 Hz, operating input frequency range: 47 – 63 Hz  
Short interruption of  $V_i$  without affecting the outputs

**Input Transient Protection**

A metal oxide VDR (Voltage Dependent Resistor) together with the input fuse form an effective protection against high input voltage transients, which typically occur in most installations.

**Input Fuse**

An incorporated miniature slow-blow fuse protects the converter against further damage in the case of a failure. Reverse polarity applied to the input of CPA models will cause the fuse to blow but without other damage.

Model	Fuse rating	Reference
CPA250	250 VAC, 5 A T	Schurter 0001.2511
CPA500	250 VAC, 10 A T	Schurter 0034.6925

**Note:** The fuse is not customer-accessible.

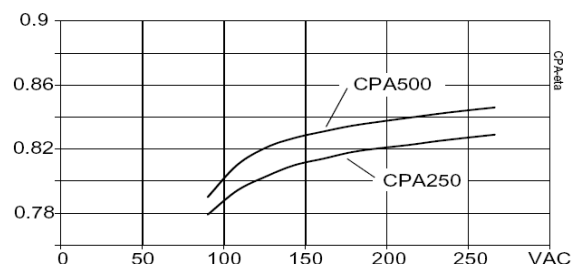
**Inrush Current Limitation**

The converters incorporate an active inrush current limiter in the input circuitry, which reduces the peak inrush current value by a factor of 10 – 15 to protect connectors and switching devices from damage.

**Note:** The inrush current limitation is achieved using electronic circuitry. For effective limitation the converter should not be switched on and off more frequently than every 8 seconds.

**Efficiency**

The efficiency graph in the following figure shows the dependence on input voltage (CPA models).



## Electrical Output Data

General Conditions:

–  $T_A = 25\text{ °C}$ , unless  $T_C$  is specified.

CPA250: 400 LFM (2 m/s)

– Sense lines connected directly at the connector

Output data of CPA250

Output			Vo1 (5.0 V)			Vo2 (3.3 V)			Unit
Characteristics		Conditions	min	typ	max	min	typ	max	
$V_o$	Output voltage	$V_{i\text{ nom}}, 50\% I_{o\text{ nom}}$	4.95	5.0	5.05	3.267	3.3	3.333	$V_{DC}$
$I_{o\text{ nom}}$	Nominal output current			25			20		A
$I_{o\text{ max}}$	Max. output current	$V_{i\text{ min}} - V_{i\text{ max}}$		40			40		
$I_{oL}$	Output current limit	$T_C\text{ min} - T_C\text{ max}$			50			50	
$I_{o\text{ min}}$	Minimum load		no min. load required			no min. load required			
$v_o$	Output voltage noise	Switch. frequ.		25			20		mV <sub>pp</sub>
		Total			60		60		
$\Delta V_oV$	Static line regulation	$V_{i\text{ min}} - V_{i\text{ max}}, I_{o\text{ nom}}$			±10			±10	mV
$\Delta V_oL$	Static load regulation	$V_{i\text{ nom}}, 50 - 100\% I_{o\text{ max}}$			±10			±10	
$\Delta V_oS$	Overshoot at switch on/off			0			0		
$v_{o\text{ d}}$	Dynamic load regulation	Voltage deviation	Vo1: $\Delta I_{o1} = 10\text{ A}$ , $dI_{o1}/dt = 2\text{ A}/\mu\text{s}$ Vo2: $\Delta I_{o2} = 10\text{ A}$ , $dI_{o2}/dt = 2\text{ A}/\mu\text{s}$					±120	mV
$t_d$	Recovery time			100		100			
$\alpha V_o$	Temperature coefficient of output voltage	$T_C\text{ min} - T_C\text{ max}, 0 - I_{o\text{ nom}}, V_{i\text{ min}} - V_{i\text{ max}}$		±0.3			±0.2		mV/K

Output			Vo3 (+12 V)			Vo4 (-12 V)			Unit
Characteristics		Conditions	min	typ	max	min	typ	max	
$V_o$	Output voltage	$V_{i\text{ nom}}, 50\% I_{o\text{ nom}}$	11.88	12.0	12.12	-11.52	-12.0	-12.48	$V_{DC}$
$I_{o\text{ nom}}$	Nominal output current			4			1		A
$I_{o\text{ max}}$	Max. output current	$V_{i\text{ min}} - V_{i\text{ max}}$		5.5			2		
$I_{oL}$	Output current limit	$T_C\text{ min} - T_C\text{ max}$			7			3.5	
$I_{o\text{ min}}$	Minimum load		Io3 > 75% Io4 <sup>1</sup>						
$v_o$	Output voltage noise	Switch. frequ.	$V_{i\text{ nom}}, I_{o\text{ nom}}\text{ BW} = 20\text{ MHz}$						mV <sub>pp</sub>
		Total	$C_{\text{ext}} = 22\text{ }\mu\text{F} + 100\text{ nF}$			120			
$\Delta V_oV$	Static line regulation	$V_{i\text{ min}} - V_{i\text{ max}}, I_{o\text{ nom}}$			±10			±10	mV
$\Delta V_oL$	Static load regulation	$V_{i\text{ nom}}, I_o = 1 - 2\text{ A}$			±30		-380 <sup>2</sup>		
$\Delta V_oS$	Overshoot at switch on/off			0			0		
$v_{o\text{ d}}$	Dynamic load regulation	Voltage deviation	Vo3: $\Delta I_{o3} = 2\text{ A}$ , $dI_{o3}/dt = 2\text{ A}/\mu\text{s}$ Vo4: $\Delta I_{o4} = 0.5\text{ A}$ , $dI_{o4}/dt = 2\text{ A}/\mu\text{s}$					±200	μs
$t_d$	Recovery time			500		500			
$\alpha V_o$	Temperature coefficient of output voltage	$T_C\text{ min} - T_C\text{ max}, 0 - I_{o\text{ nom}}, V_{i\text{ min}} - V_{i\text{ max}}$		±0.3			±0.5		mV/K

<sup>1</sup> Minimum load is only required to maintain regulation of Vo4

<sup>2</sup> Droop characteristic for passive current sharing

## General Conditions:

- $T_A = 25\text{ °C}$ , unless  $T_C$  is specified.
- CPA500: 300 LFM (1.5 m/s)
- Sense lines connected directly at the connector

## Output data of CPA500

Output			Vo1 (5.0 V)			Vo2 (3.3 V)			Unit
Characteristics		Conditions	min	typ	max	min	typ	max	
$V_o$	Output voltage	$V_{i\text{ nom}}, 50\% I_{o\text{ nom}}$	4.95	5.0	5.05	3.267	3.3	3.333	$V_{DC}$
$I_{o\text{ nom}}$	Nominal output current			40			50		A
$I_{o\text{ max}}$	Max. output current	$V_{i\text{ min}} - V_{i\text{ max}}$		50			60		
$I_{oL}$	Output current limit	$T_C\text{ min} - T_C\text{ max}$	52,2		62	63		74	
$I_{o\text{ min}}$	Minimum load		no min. load required			no min. load required			
$v_o$	Output voltage noise	Switch. frequ.		20			15		$mV_{pp}$
		Total		20			15		
$\Delta V_{oV}$	Static line regulation	$V_{i\text{ min}} - V_{i\text{ max}}, I_{o\text{ nom}}$			$\pm 10$			$\pm 10$	mV
$\Delta V_{oL}$	Static load regulation	$V_{i\text{ nom}}, 50 - 100\% I_{o\text{ max}}$			$\pm 10$			$\pm 10$	
$\Delta V_{oS}$	Overshoot at switch on/off			0			0		
$v_{o d}$	Dynamic load regulation	Voltage deviation	Vo1: $\Delta I_{o1} = 10\text{ A}$ , $dI_{o1}/dt = 2\text{ A}/\mu\text{s}$ Vo2: $\Delta I_{o2} = 10\text{ A}$ , $dI_{o2}/dt = 2\text{ A}/\mu\text{s}$					$\pm 150$	mV
$t_d$	regulation	Recovery time		300			300		$\mu\text{s}$
$\alpha V_o$	Temperature coefficient of output voltage	$T_C\text{ min} - T_C\text{ max}$ 0 - $I_{o\text{ nom}}, V_{i\text{ min}} - V_{i\text{ max}}$		$\pm 0.3$		$\pm 0.2$			mV/K

Output			Vo3 (+12 V)			Vo4 (-12 V)			Unit
Characteristics		Conditions	min	typ	max	min	typ	max	
$V_o$	Output voltage	$V_{i\text{ nom}}, 50\% I_{o\text{ nom}}$	11.88	12.0	12.12	-11.52	-12.0	-12.48	$V_{DC}$
$I_{o\text{ nom}}$	Nominal output current			8			3		A
$I_{o\text{ max}}$	Max. output current	$V_{i\text{ min}} - V_{i\text{ max}}$		12			4		
$I_{oL}$	Output current limit	$T_C\text{ min} - T_C\text{ max}$		13,5			4,3		
$I_{o\text{ min}}$	Minimum load		$I_{o3} > 75\% I_{o4}^1$						
$v_o$	Output voltage noise	Switch. frequ.	$V_{i\text{ nom}}, I_{o\text{ nom}} BW = 20\text{ MHz}$						$mV_{pp}$
		Total	$C_{ext} = 22\text{ }\mu\text{F} + 100\text{ nF}$			15			
$\Delta V_{oV}$	Static line regulation	$V_{i\text{ min}} - V_{i\text{ max}}, I_{o\text{ nom}}$			$\pm 10$			$\pm 10$	mV
$\Delta V_{oL}$	Static load regulation	$V_{i\text{ nom}}, I_o = 1 - 2\text{ A}$			$\pm 50$		$-220^2$		
$\Delta V_{oS}$	Overshoot at switch on/off			0			0		
$v_{o d}$	Dynamic load regulation	Voltage deviation	Vo3: $\Delta I_{o3} = 2\text{ A}$ , $dI_{o3}/dt = 2\text{ A}/\mu\text{s}$ Vo4: $\Delta I_{o4} = 0.5\text{ A}$ , $dI_{o4}/dt = 2\text{ A}/\mu\text{s}$					$\pm 150$	$\mu\text{s}$
$t_d$	regulation	Recovery time		300			300		
$\alpha V_o$	Temperature coefficient of output voltage	$T_C\text{ min} - T_C\text{ max}$ 0 - $I_{o\text{ nom}}, V_{i\text{ min}} - V_{i\text{ max}}$		$\pm 0.3$		$\pm 0.5$			mV/K

<sup>1</sup> Minimum load is only required to maintain regulation of Vo4

<sup>2</sup> Droop characteristic for passive current sharing

**Hot Swap**

Hot swap is possible. The output voltages may deviate dynamically by ≤5% during the plug-in / plug-out operation.

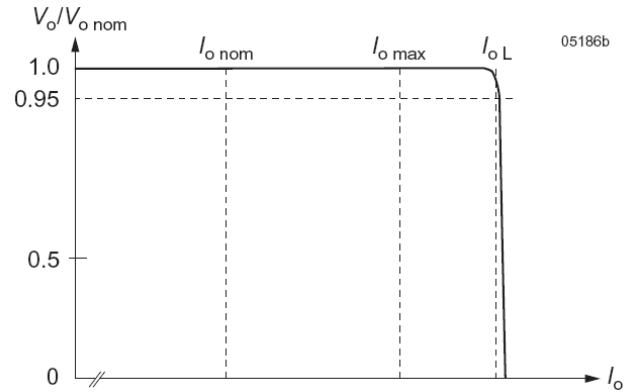
**Output Characteristic and Protection**

All outputs are fully protected against continuous opencircuit (no load) and continuous short-circuit conditions.

All outputs of CPA250 models have a constant current limitation with a rectangular characteristic. In addition, the total power from outputs Vo1, Vo2, and Vo3 is limited to  $P_{o\ max}$ , resulting in a free choice of load distribution between these outputs. Output Vo4 is disabled in the case of overtemperature generated by overcurrent.

In CPA500 model, the total power of all four outputs is limited to  $P_{o\ max}$ .

In all models, all outputs are monitored for overvoltage condition. If an overvoltage of 120 – 130% is dedected, the converter is permanently disabled. To reset, the input voltage must be removed for 60 seconds.

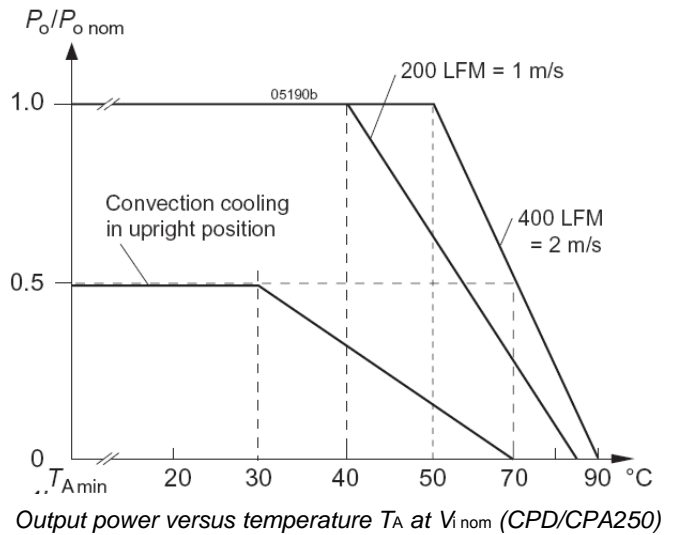


**Thermal Considerations**

If a converter is mounted in the upright position with airflow as specified in the general conditions allowing unrestricted forced-air cooling, and is operated at its nominal input voltage and power at maximum ambient temperature  $T_{A\ max}$  (see Temperatures), the temperature measured at the measurement point of the case temperature  $T_C$  (see Mechanical Data) will approach after an initial warm-up phase the indicated maximum value of  $T_C\ max$  (105 °C). However, the relationship between  $T_A$  and  $T_C$  depends heavily on the operating conditions and system integration. The thermal conditions are significantly influenced by the input voltage, the output current, the airflow, and the temperature of the adjacent elements and surfaces.  $T_A\ max$  is therefore only an indicative value (contrary to  $T_C\ max$ ).

**Caution:** The installer must ensure that under all operating conditions  $T_C$  remains within the limits shown in the diagrams of fig. 4.

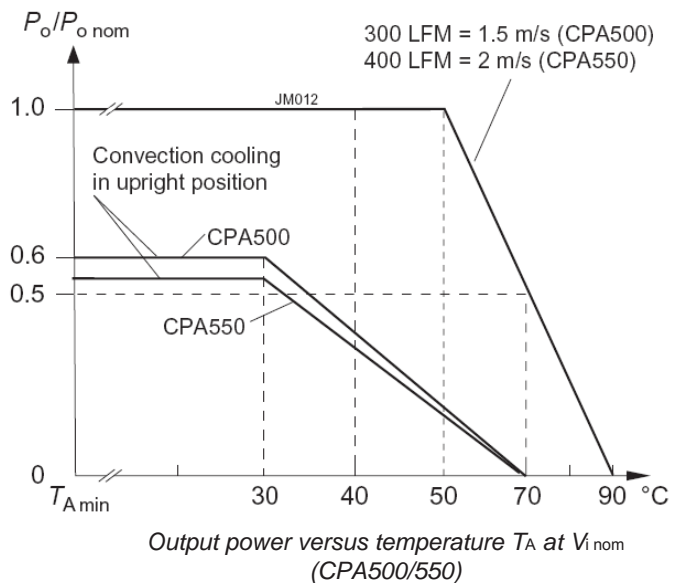
**Note:** Forced-air cooling or an additional heat sink can improve the reliability or allow  $T_A$  to be increased above  $T_A\ max$ , provided that  $T_C\ max$  is not exceeded.



Output power versus temperature  $T_A$  at  $V_{i\ nom}$  (CPD/CPA250)

**Thermal Protection**

A temperature sensor fitted on the main PCB provides an overtemperature warning (degrade) signal 15 °C below the temperature  $T_C\ max$ , at which the thermal derating begins to reduce the output power. The output power returns to the normal value, when the temperature drops back below this limit; see *Temperature Warning and Shutdown*.

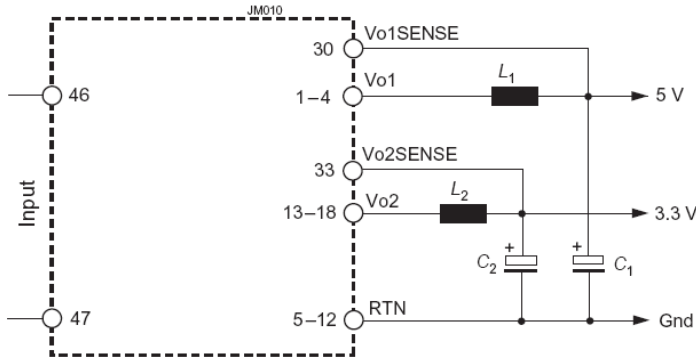


Output power versus temperature  $T_A$  at  $V_{i\ nom}$  (CPA500/550)

**Output Filter**

The output ripple voltage can be reduced by an external filter to less than 5 mV<sub>pp</sub>. Recommended values:

- C1, C2: Low ESR capacitor, e.g., OS-CON 100 – 470 μF
- L1, L2: Choke 1 – 2.2 μH with appropriate rated current, e.g., Coiltronics® HC2LP 1 μH /33 A or 2.2 μH /24 A.

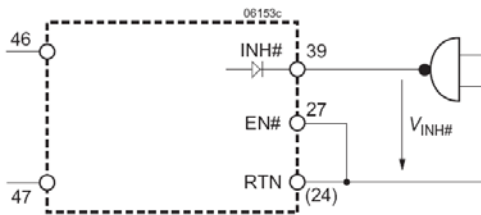


Output filter reducing the output ripple of Vo1 and Vo2

**Auxiliary Functions Inhibit and Enable**

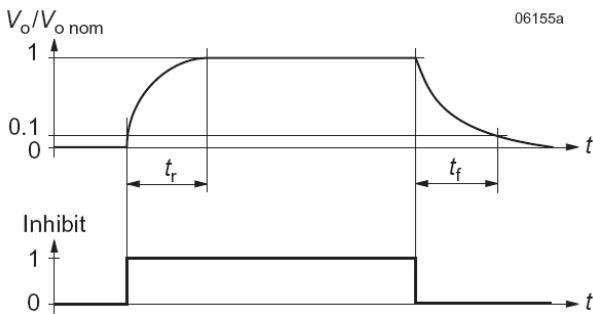
The inhibit input enables (logic high) or disables (logic low, pull down) all outputs, if a logic signal (TTL, CMOS) is applied. In systems consisting of several converters this feature may be used to control the activation sequence of the converters by means of logic signals, or to enable the source to start-up, before full load is applied.

**Note:** If this function is not used, the inhibit pin 39 can be left open-circuit (not connected). If pin 39 is connected to a return pin (e.g., pin 22), the internal logic will disable all outputs. The inhibit input is protected by a decoupling diode.



Characteristics		Conditions	min	typ	max	Unit
V <sub>inh</sub>	inhibit voltage	V <sub>o</sub> = off	-2		0.8	V
		V <sub>o</sub> = on		2.4	50	
t <sub>r</sub>	Rise time				120	ms
t <sub>f</sub>	Fall time				depending on I <sub>o</sub>	

Inhibit and enable inputs



Typical output response as a function of inhibit voltage

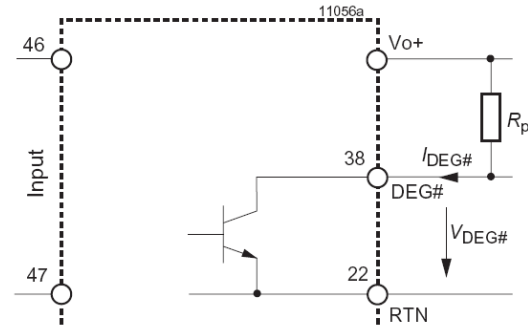
The enable pin 27 (EN#) must be connected to a return pin (e.g., pin 22) enable the converter. Pin 27 is shorter than the others ensuring startup only, when all other pins are already connected to the system providing true hot-swap capability.

**Temperature Warning and Shutdown**

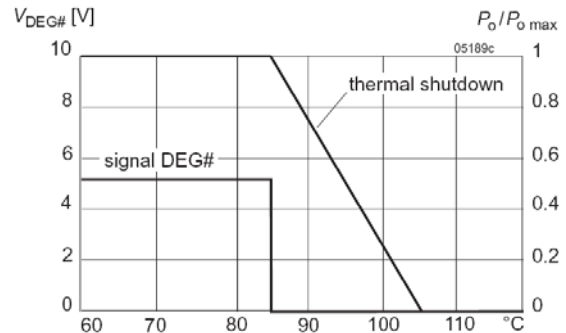
A temperature warning circuitry monitors the case temperature  $T_c$ . Its output signal  $V_{DEG\#}$  changes from high to low impedance, when the  $T_c$  exceeds the upper threshold level, and changes back to high impedance, when  $T_c$  falls below the lower threshold level, which is  $85\text{ }^\circ\text{C} \pm 5\text{ }^\circ\text{C}$ .

Pin 38 (degrade signal DEG#) is internally connected via the collector-emitter path of an NPN transistor to the signal return pin 22. The current  $I_{DEG\#}$  through pin 38 should not exceed 40 mA, and  $V_{DEG\#}$  should not exceed 40 V.

If  $T_c$  exceeds  $105\text{ }^\circ\text{C}$ , the converter will be disabled. It resumes operation automatically, once  $T_c$  falls below  $105\text{ }^\circ\text{C}$ .



Degrade signal: NPN output  $V_{DEG\#} \leq 40\text{ V}$ ,  $I_{DEG\#} \leq 20\text{ mA}$



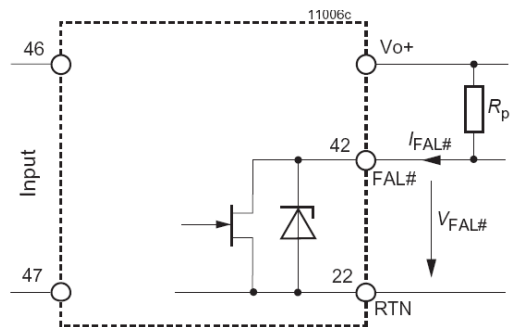
Degrade signal  $V_{DEG\#}$  versus case temperature  $T_c$

**Power Fail Signal**

The power fail circuitry monitors the input voltage and all output voltages. Its output signal  $V_{FAL\#}$  changes from high to low impedance ( $<0.5\text{ V}$ ), when one of the monitored voltages falls below the threshold level;  $V_{FAL\#}$  changes back to high impedance, when all monitored voltages exceed their threshold level.

The threshold levels correspond to approx. 85% of  $V_o\text{ nom}$ .  $V_{i\text{ min}}\text{ CPA250}$  up to Version V115 is not monitored.  $V_{i\text{ min}}$  of CPA models is considered as insufficient, when  $v_i$  remains for typ. 30 ms below  $\sqrt{2} \cdot V_{i\text{ min}}$ .

Connector pin 42 (signal  $V_{FAL\#}$ ) is internally connected via the drain-source path of a JFET (self-conducting type) to the signal return pin 22. The current  $I_{FAL\#}$  should not exceed 10 mA.  $V_{FAL\#}$  should not exceed 40 V, as the JFET is not protected against overvoltage.



Power Fail: JFET output,  $I_{FAL\#} \leq 10\text{ mA}$

**Sense Lines**

(Only for Vo1, Vo2, and Vo3.)

This feature allows the compensation of voltage drops across the connector contacts and if necessary, across the load lines. To ensure correct operation, all sense lines S+ (Vo1SENSE Vo2SENSE, and Vo3SENSE) should be connected to the respective power outputs. The common sense return S- (SRTN) should be connected to RTN (pin 5 – 12).

**Note:** Open sense lines are admissible, but the output voltage regulation will be poor.

The voltage difference between any sense line at its respective power output pin (as measured on the connector) should not exceed the following values.

Output [V]	Total voltage difference between sense lines and their respective outputs
3.3	0.8 V
5	1 V
12	1 V

Sense line data

**Note:** If the sense lines S+ and S- compensate for a considerable voltage drop, the output loads shall be reduced in order to respect the maximum output power.



**Active Current Sharing for Vo1, Vo2, Vo3**

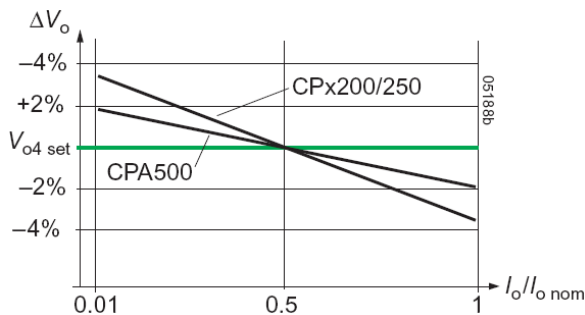
The current sharing facility, consisting of a single-wire link, should be used, where several converters are operated in parallel connection, for example, high reliability n+1 redundant systems or systems providing higher output power.

**Note:** Not more than six converters should be connected in parallel.

Using this feature reduces the stress of the individual converters and improves the reliability of the system. Interconnection of the current sharing terminals causes the converters to share the output current evenly. In n+1 redundant systems a failure of a single converter will not lead to a system failure, since the outputs are already decoupled by FETs and diodes internally.

**Passive Current Sharing for Vo4**

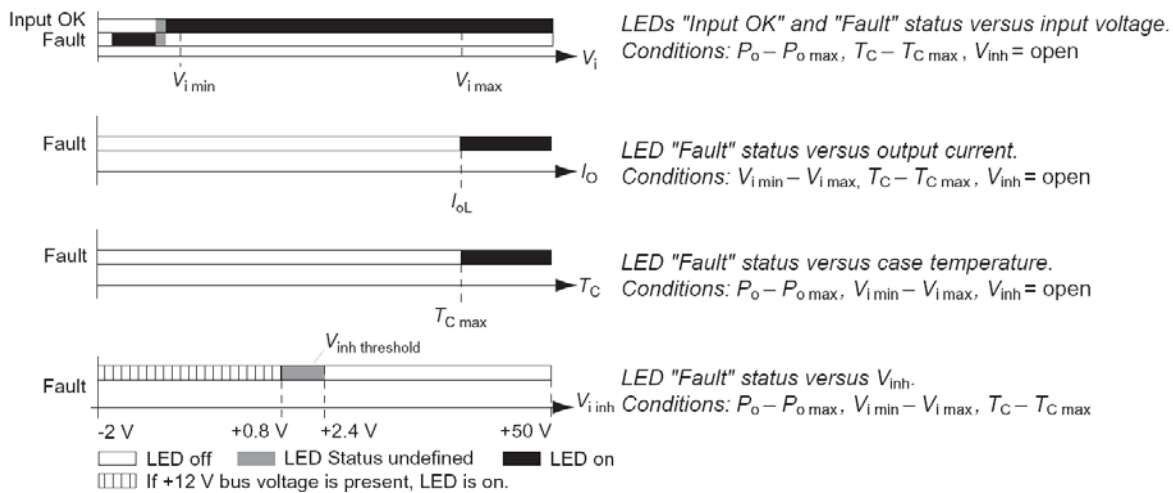
The output voltage changes slightly with the output current (droop characteristic) ensuring automatic current sharing without further precautions, when several converters are connected in parallel. An increase in output current decreases the output voltage according to the following graph.  $\Delta V_o$  -4% +2%



Output voltage  $V_{o4}$  versus output current  $I_{o4}$ .

**LEDs**

A green LED "Input OK" and a red LED "Fault" are incorporated in the front panel.





## Electromagnetic Compatibility (EMC)

A metal oxide VDR together with an input fuse and filter form an effective protection against high input voltage transients, which typically occur in most installations. The converters have been successfully tested to the following specifications

## Electromagnetic Immunity

### Immunity type tests

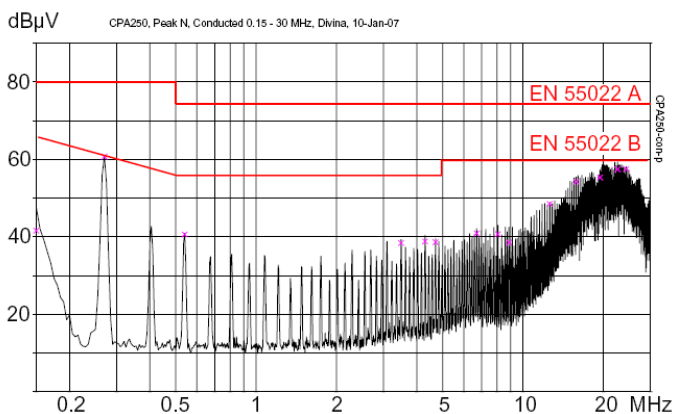
Phenomenon	Standard	Level	Coupling mode <sup>1</sup>	Value applied	Waveform	Source imped.	Test procedure	In oper.	Per-form. <sup>2</sup>
Electrostatic discharge (to case)	IEC/EN 61000-4-2	4	contact discharge	8000 V <sub>p</sub>	1/50 ns	330 Ω	10 positive and 10 negative discharges	yes	A
			air discharge	15000 V <sub>p</sub>					
Electromagnetic field	IEC/EN 61000-4-3	3	antenna	10 V/m	AM 80 % 1 kHz	n.a.	80 – 1000 MHz	yes	A
				10 V/m	50% duty cycle 200 Hz repetition frequency		900 ±5 MHz		
Electrical fast transients/burst	IEC/EN 61000-4-4	3	capacitive, o/c	1000 V <sub>p</sub>	bursts of 5/50 ns 2.5/5 kHz over 15 ms; burst period: 300 ms	50 Ω	60 s positive 60 s negative transients per coupling mode	yes	A
			direct, i/c, +i/-i	2000 V <sub>p</sub>					
Surges	IEC/EN 61000-4-5	3	i/c	2000 V <sub>p</sub>	1.2/50 μs	12 Ω	5 pos. and 5 neg. surges per coupling mode	yes	B
		2	+i/-i	1000 V <sub>p</sub>		2 Ω			
Conducted disturbances	IEC/EN 61000-4-6	3	i, o, signal wires	10 VAC (140 dBμV)	AM 80% 1 kHz	150 Ω	0.15 – 80 MHz	yes	A

<sup>1</sup> i = input, o = output, c = case connected to PE ⊕

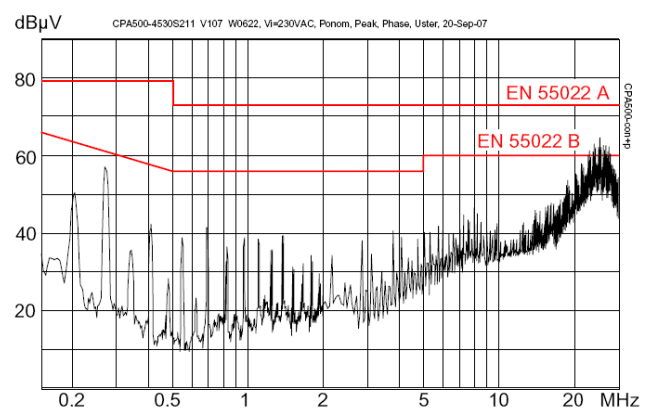
<sup>2</sup> A = normal operation, no deviation from specifications, B = temporary deviation from specs possible.

## Electromagnetic Emission

Radiated and conducted emissions comply with EN 55011/ 55022, class A. In addition, CPA500/550 meet conducted emissions class B.



Typical disturbance voltage (peak) at the line input according to EN 55022, measured at  $V_{i\text{nom}}$  and  $I_{o\text{nom}}$   
CPA250



Typical disturbance voltage (peak) at the line input according to EN 55022, measured at  $V_{i\text{nom}}$  and  $I_{o\text{nom}}$   
CPA500

**Immunity to Environmental Conditions**

*Mechanical and climatic stress*

Test method		Standard	Test conditions	Status
Cab	Damp heat steady state	IEC/EN 60068-2-78	Temperature: 40 ±2 °C Relative humidity: 93 +2/-3 % Duration: 56 days	Converter not operating
Ea	Shock (half-sinusoidal)	IEC/EN 60068-2-27	Acceleration amplitude: 20 g <sub>n</sub> Bump duration: 11 ms Number of bumps: 18 (3 in each direction)	Converter operating
Eb	Bump (half-sinusoidal)	IEC/EN 60068-2-29	Acceleration amplitude: 15 g <sub>n</sub> Bump duration: 6 ms Number of bumps: 6000 (1000 in each direction)	Converter operating
Fda	Random vibration wide band, reproducibility high	IEC/EN 60068-2-35 CPD200/250, CPA200/250	Acceleration spectral density: 0.05 g <sub>n</sub> <sup>2</sup> /Hz Frequency band: 20 – 500 Hz Acceleration magnitude: 4.9 g <sub>n rms</sub> Test duration: 3 h (1 h in each axis)	Converter operating
		IEC/EN 60068-2-35 CPA500/550	Acceleration spectral density: 0.01 g <sub>n</sub> <sup>2</sup> /Hz Frequency band: 20 – 500 Hz Acceleration magnitude: 2.2 g <sub>n rms</sub> Test duration: 1.5 h (0.5 h in each axis)	Converter operating
	Drop test	Converter in proper packing CPD <sup>1</sup> only	0.75 m 3 directions	Not operating

<sup>1</sup> Version V106 or higher

**Temperatures**

*Temperature specifications, valid for an air pressure of 800 – 1200 hPa (800 – 1200 mbar)*

Characteristics		Conditions	Relative humidity <sup>3</sup> [%]			Temperature [°C]		
			min	typ	max	min	typ	max
T <sub>A</sub>	Ambient temperature	Operational <sup>1</sup>	5		95	-25 <sup>4</sup>		50
T <sub>C</sub>	Case temperature <sup>2</sup>		5		95	-25		105 <sup>2</sup>
T <sub>S</sub>	Storage temperature	Non operational	10		95	-40		85
R <sub>th C-A</sub>	Thermal resistance case to ambient in still air		2 K/W					

<sup>1</sup> See *Thermal Considerations*

<sup>2</sup> Overtemperature shutdown at T<sub>C</sub> ≥ 105 °C

<sup>3</sup> Non condensing humidity

<sup>4</sup> Start-up and operation at -40 °C possible with increased output ripple

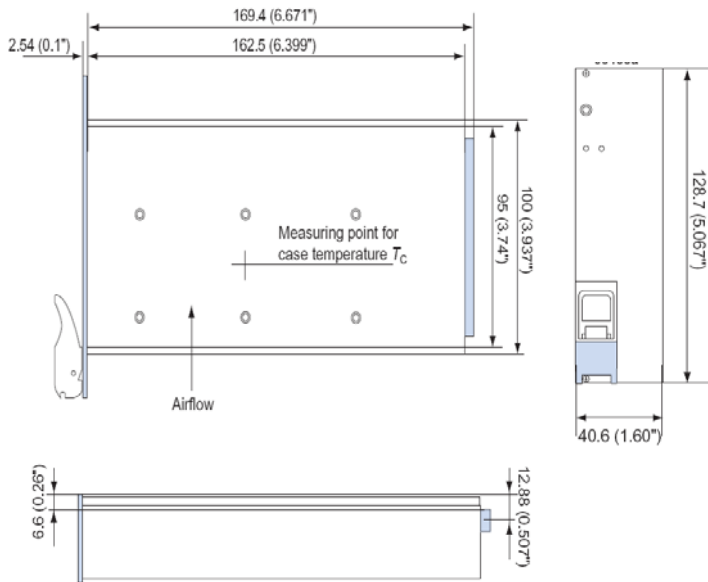
**Reliability**

*MTBF*

Ratings at specified case temperature	Model	Ground benign 40 °C	Ground fixed 40 °C 70 °C		Ground mobile 50 °C	Unit
MTBF acc. to	CPA250	279 000	57 000	31 000	33 000	h
MIL-HDBK-217F, notice 2	CPA500	195 000	35 000	17 000	16 000	h

**Mechanical Data**

Dimensions in mm.



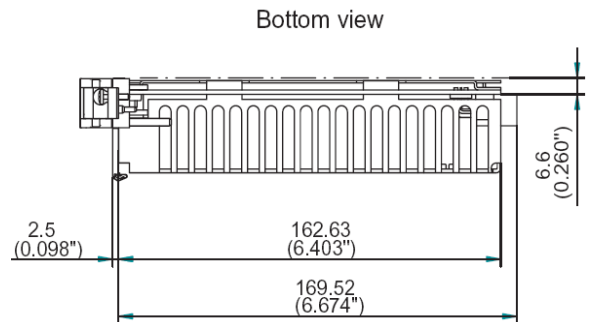
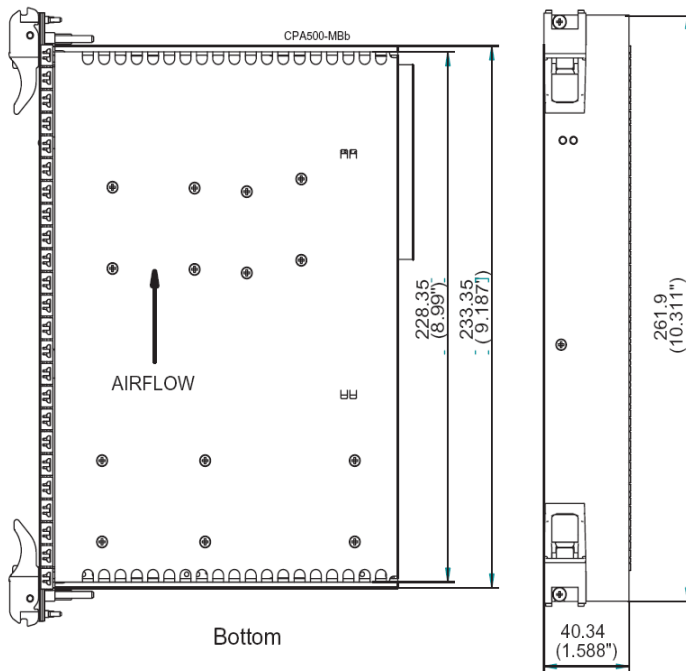
Overall size: 162.5 mm x 128.7 mm x 40.6 mm Weight: 0.8 kg

**Pin allocation**

Connector: Positronic (PCIH47M400A1)

Pin	<sup>2</sup>	Signal Name	Description
1-4	M	V1	V1 Output
5-12	M	RTN	V1 and V2 Return
13-18	M	V2	V2 Output
19	M	RTN	V3 Return
20	M	V3	V3 Output
21	M	V4	V4 Output
22	M	RTN	Signal Return
23	M	Reserved	Reserved
24	M	RTN	V4 Return
25	M	Reserved <sup>3</sup>	
26	M	Reserved	Reserved
27	S	EN#	Enable
28	M	Reserved <sup>3</sup>	
29	M	nc	Not connected
30	M	V1SENSE	V1 Remote Sense
31	M	Reserved <sup>3</sup>	
32	M	nc	Not connected
33	M	V2SENSE	V2 Remote Sense
34	M	S RTN	Sense Return
35	M	V1SHARE	V1 Current Share
36	M	V3SENSE	V3 Remote Sense
37	M	Reserved <sup>3</sup>	
38	M	DEG#	Degrade Signal
39	M	INH#	Inhibit
40	M	Reserved <sup>3</sup>	
41	M	V2SHARE	V2 Current Share
42	M	FAL#	Fail Signal
43	M	Reserved <sup>3</sup>	
44	M	V3SHARE	V3 Current Share
45	L	CGND	Chassis Ground
46	M	ACN	AC Input Neutral
47	M	ACL	AC Input Line

<sup>1</sup> Pin number illustrated are of the female backplane connector  
<sup>2</sup> L=first mate, M=second mate, S=last mate  
<sup>3</sup> For future options



Overall size: 223.4 mm x 162.5 mm x 40.6 mm Weight: 1.65 kg

**Accessories (optional)**

Mating connector / intermediate plate 3 U for one PSU

**Order No.: 23098 – 105**

Mating connector / intermediate plate 3 U for two PSUs horizontally

**Order No.: 23098 – 115**

Mating connector / intermediate plate 6 U for one PSU

**Order No.: 23098 – 116**

Mating connector / intermediate plate 6 U for two PSUs vertical

**Order No.: 23098 – 117****Caution & Notes****CAUTION**

These component level power supplies are intended exclusively for installation within other equipment by an industrial assembly operation or by professional installers. These are Class I power supplies; the ground pin of input connector J1 must be properly connected to earth ground in end use. Component power supplies are to be installed in end-use equipment according to the requirements of the safety standard used for that equipment. These power supplies are not designed to be operated outside of an enclosure which provides a means of mechanical, electrical, and fire protection. To maintain SELV requirements, the outputs should not be connected together in any manner which causes the total output voltage to exceed 60 VDC.

**PROTECTIVE EARTHING**

The Power Supply must be properly grounded to mains protective earthing termination at end use.

**FUSING**

In case of failure, the Power Supply must be returned to a Schroff Authorized Service Center. There are no user-serviceable parts in the Power Supply.

**LIMITED WARRANTY**

Schroff warrants each power supply of its manufacture for a period of two (2) years from the date of original shipment. This warranty applies to defects in materials and workmanship that result in non-performance to published specifications.

Schroff assumes no liabilities for consequential damages of any kind through the use or misuse of its products by any user. No other obligations are expressed or implied.

Please note that the specifications, terms, and conditions stated are subject to change without notice.

---

SCHROFF GmbH  
Langenalber Strasse 96 – 100

D – 75334 Straubenhardt

Phone: +49 7082 794 – 0

Fax: +49 7082 794 – 200

Web: [www.schroff.biz](http://www.schroff.biz)