



Datenblatt - Fiche technique - Data sheet

**25.16.8500**



ROLINE Kat.6/Cl.E Dose, ungeschirmt, Unterputz, elfenbein

ROLINE Embase double non blindée cat. 6 / classe E, blanc cassé

ROLINE Flush Mount Wall Jack, Cat.6, unshielded, ivory

A

B

C

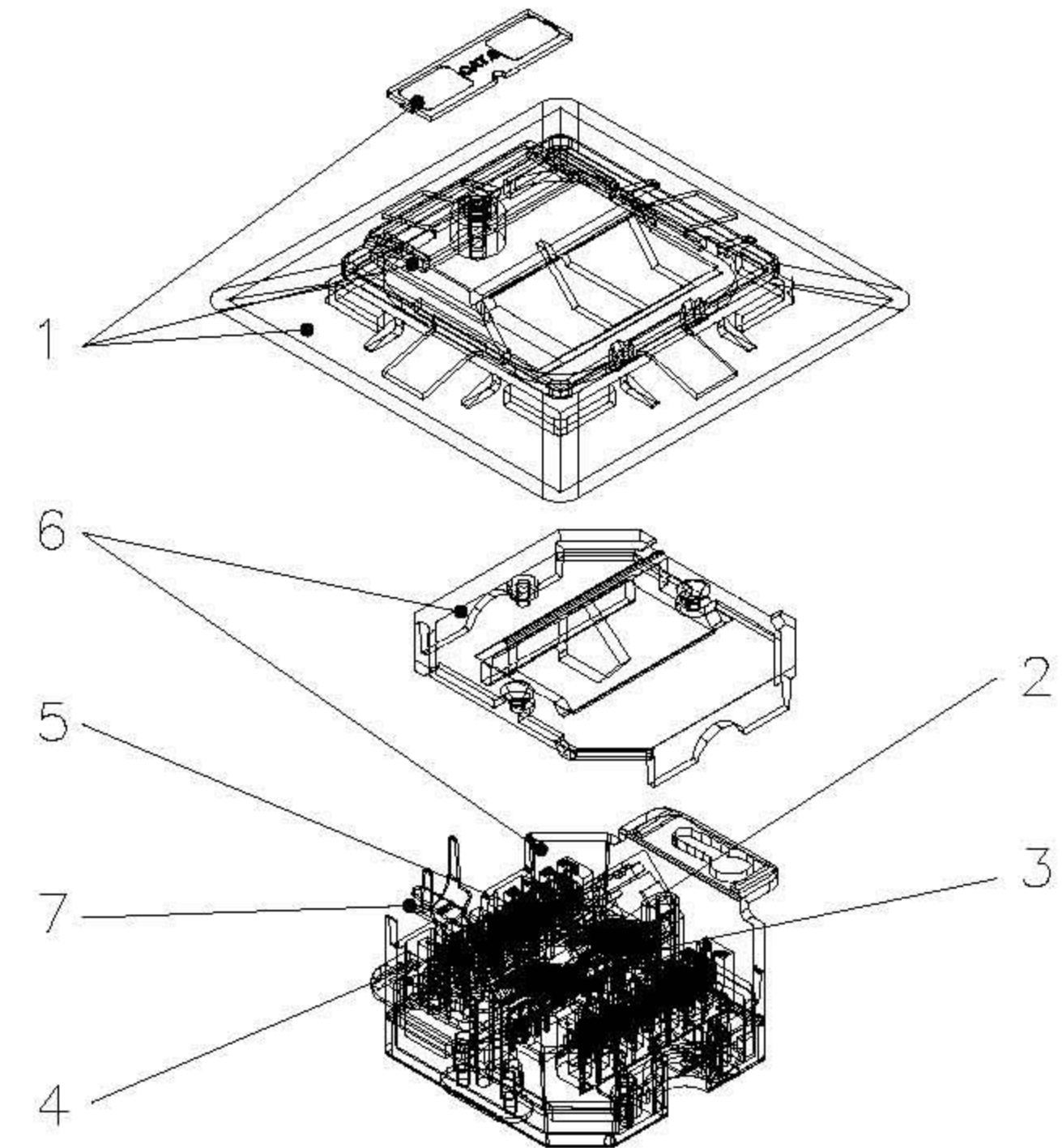
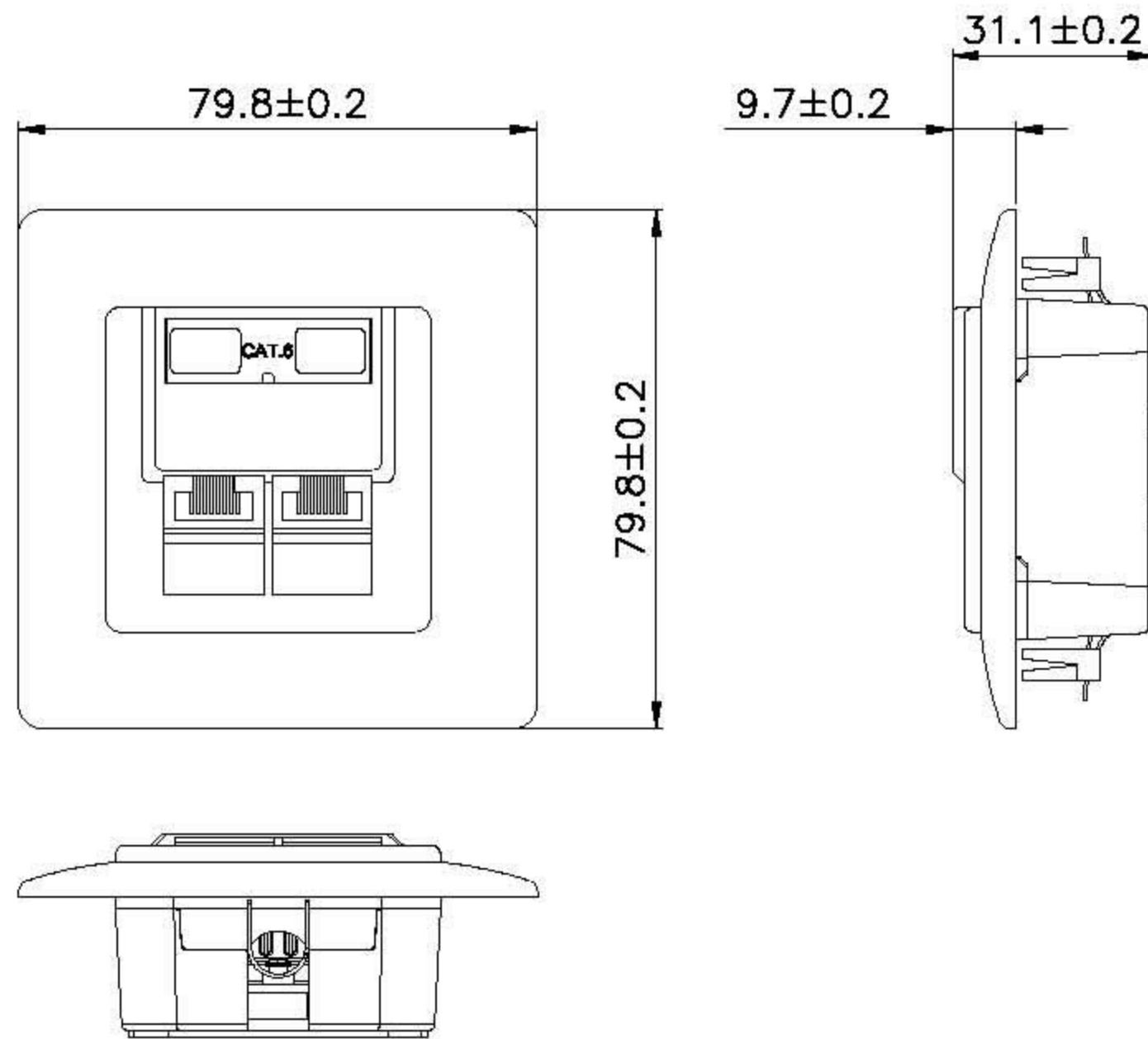
D

A

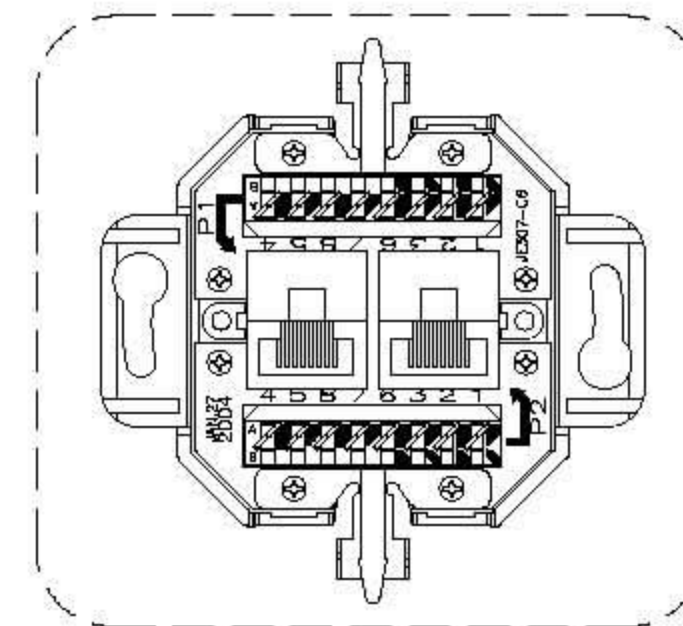
B

C

D



SCALE 1/2



SCALE 1/2

Specification :

Material :

1. Surface & Mounting plate & Name Plate : ABS, UL 94-HB.
  2. RJ45 Jack Housing : PBT, UL 94V-0.
  3. RJ45 Contact material & finished :
    - 3-1. Phosphor Bronze with 50-60 micro-inch Nickel plated.
    - 3-2. Contact area : Min. 3 mm 50 micro-inch Gold plated.
  4. IDC Housing : Polycarbonate, UL 94V-2, KRONE impact.
  5. IDC Terminal material & finished :
    - 5-1. Phosphor Bronze with 50 micro-inch Tin plated.
    - 5-2. Krone tool only.
    - 5-3. Use for 22-26 AWG stranded & solid wire.
  6. Top & Bottom Case : Zinc Die-casting.
  7. Cable Clamp : Bronze with Nickel plated.
- Performance :
- a. The IDC color codes combine two wirings of T568A & T568B.
  - b. Insertion force : 900 gms for 8 contacts.
  - c. Retention strength : 7.7 kgs between Jack and Plug.
  - d. Operation temperature : -40°C to 80°C.
  - e. Durability :
    - e-1. Jack : 750 cycles Plug-Jack mating and unmating test, insertion cycles at 20 cycles/minute max. Contact resistance test per 100 cycles.
    - e-2. IDC : Max. 200 punching times.
  - f. The Cat.6 performance is in compliance with the ANSI/TIA/EIA 568 B.2-1 standard.

Plastic Color  
White, Ivory.

GENERAL TOLERANCE OF DIMENSIONS X.XXX ±0.005 X.XX ±0.05 X.X ±0.1	DRAWING	19.MAR.2009	Connie	<b>rotronic</b>	
	CHECK	19.MAR.2009	KLi		
	APPROVAL	19.MAR.2009	Yty		
		DATE	NAME	ITEM NO.: 25.16.8494, 25.16.8500	
	SCALE	1/2 (A4)	UNIT	mm	DES.: Cat.6 German Flush Mounted Plate
	DRAWING NO. JE307AC6-USD/XX(SA1)		DRAWING CLASSIFICATION		SHEET 1 OF 1
					A1