



Datenblatt - Fiche technique - Data sheet

25.16.8398



ROLINE Frontblende-Set zu Unterputzdose, weiss

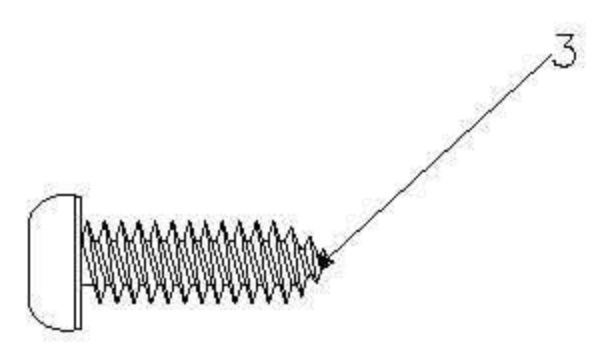
ROLINE Cache pour embase, blanc, blanc

ROLINE Faceplate for Flush Mount Wall Jack, white

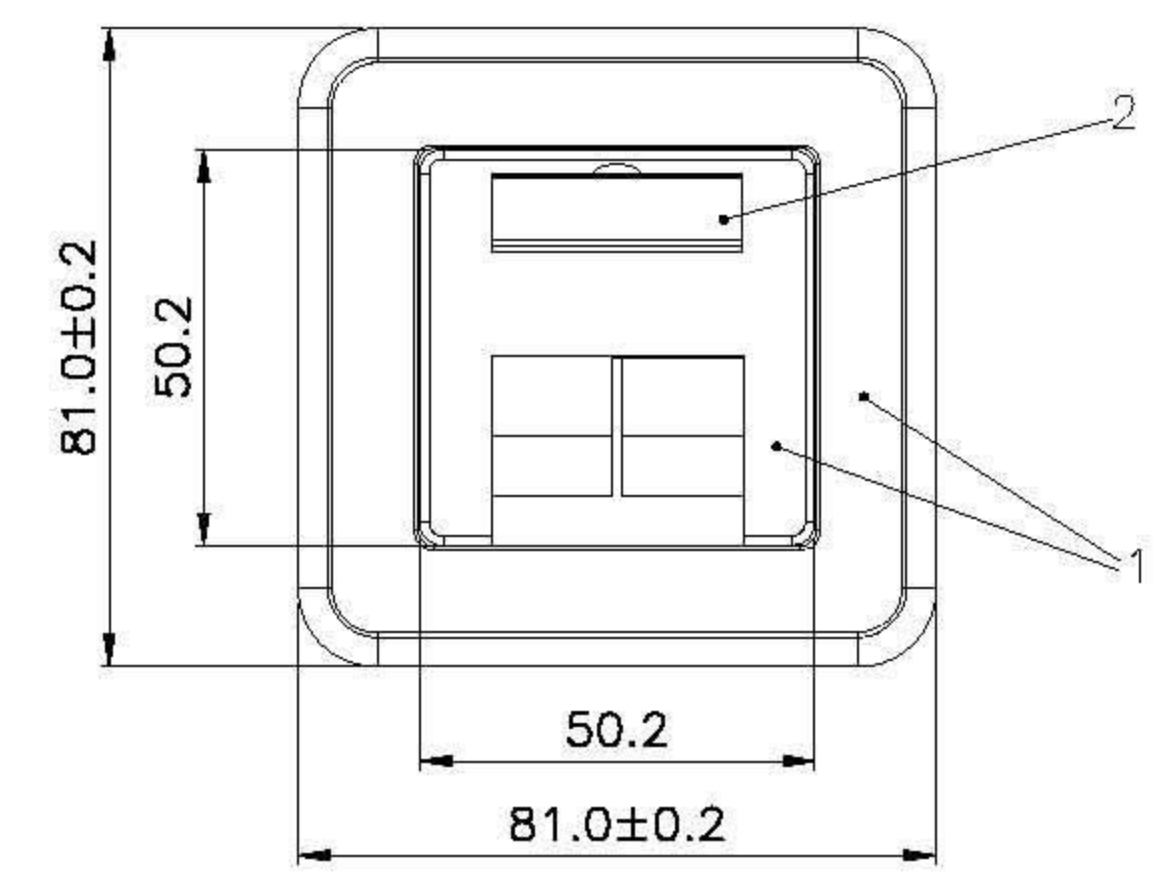
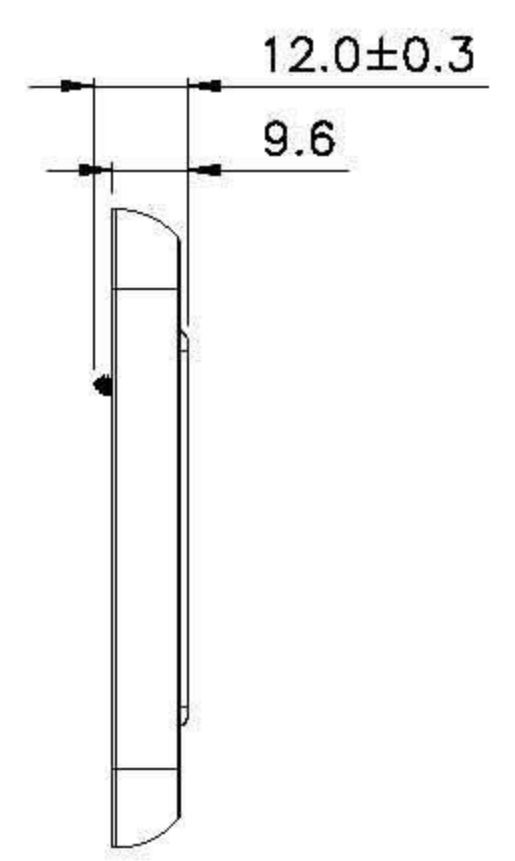
1 2 3 4 5 6

A

A



SCALE 2/1



B

B

C

C

Specification :

Material :

- 1. Flush Plate : ABS, UL 94-HB, White/Ivory color.
- 2. Name plate : Polycarbonate, UL 94V-2, Transparent color.
- 3. Screw : M2.6*8.0/4.5mm

GENERAL TOLERANCE OF DIMENSIONS X.XXX ±0.005 X.XX ±0.05 X.X ±0.1	DRAWING	19.MAR.2009	Connie	rotronic	
	CHECK	19.MAR.2009	KLi		
	APPROVAL	19.MAR.2009	Yty		
		DATE	NAME	ITEM NO.: 25.16.8398,99	
	SCALE	1/2 (A4)	UNIT	mm	DES.: Flush Plate For Roline
		DRAWING NO.	PBAHAZ1100XX001 (SA1)		
		DRAWING CLASSIFICATION		SHEET	1 OF 1

D

D

1 2 3 4 5 6

