



Datenblatt - Fiche technique - Data sheet

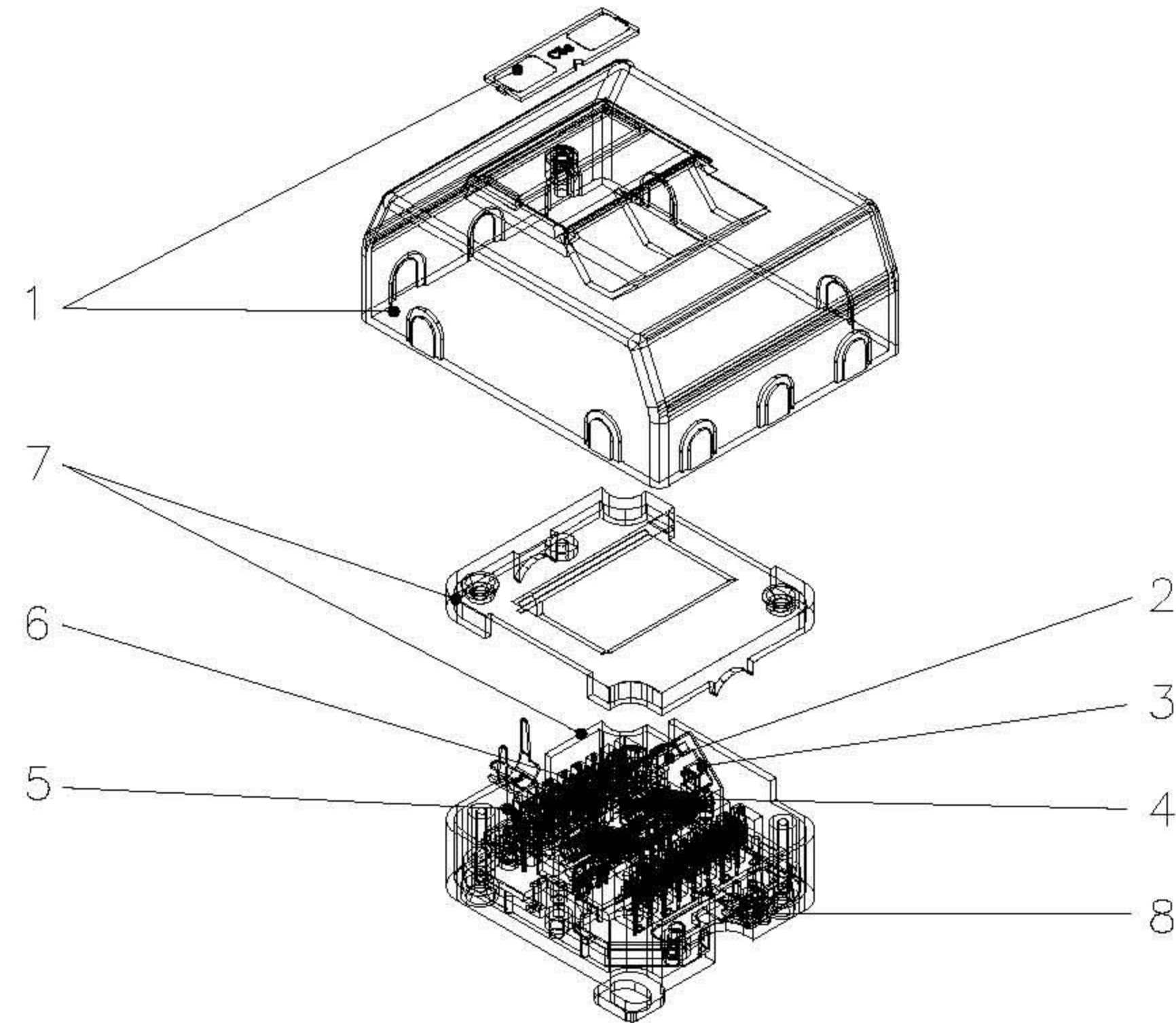
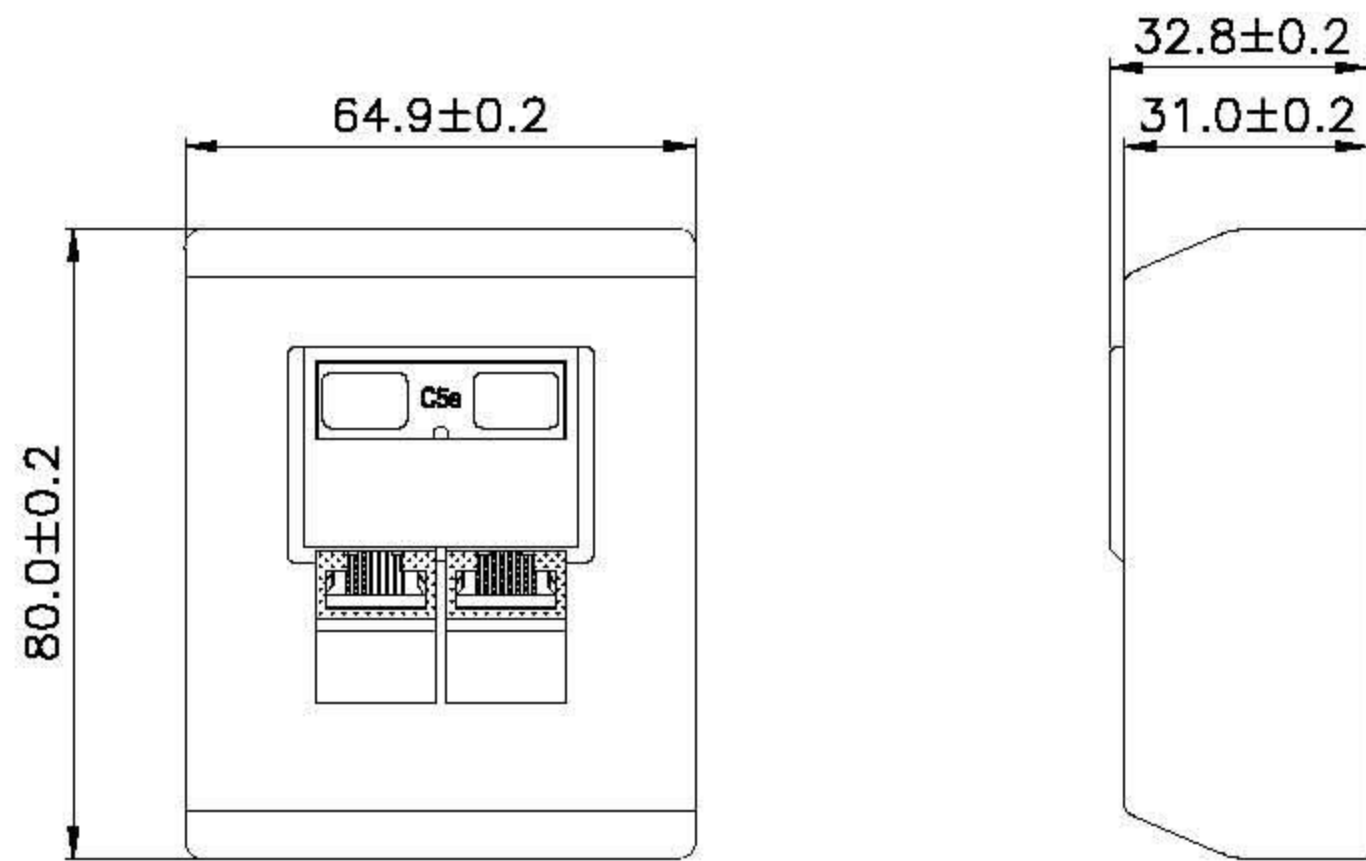
25.16.8386



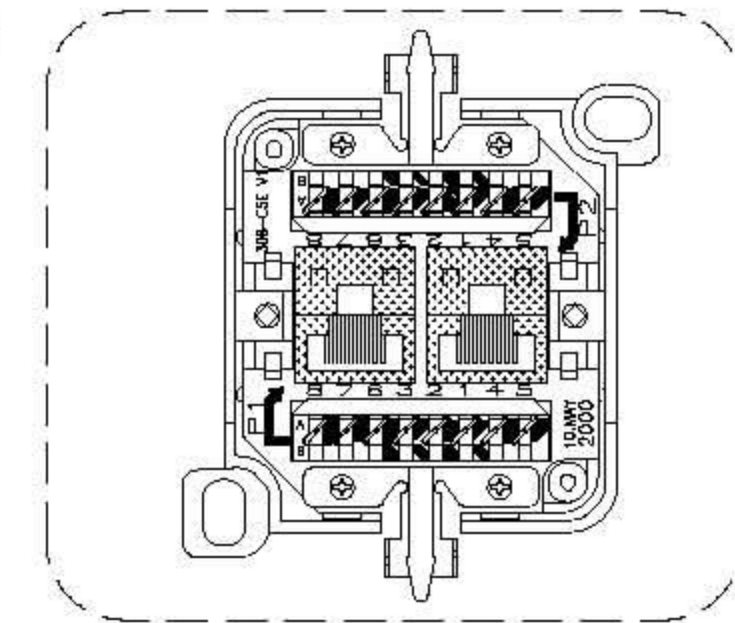
ROLINE Kat. 5e Dose, Aufputz, geschirmt, elfenbein

ROLINE Boîtier de raccordement blindé Cat. 5e, ivoire

ROLINE Surface Mount Wall Jack, Cat.5e, shielded, ivory



SCALE 1/2



SCALE 1/2

Specification :

Material :

1. Surface Mounting Box & Name Plate : ABS, UL 94-HB.
2. RJ45 Jack Housing : PBT, UL 94V-0.
3. RJ45 Jack Shield : Bronze with Nickel plated.
4. RJ45 Contact material & finished :
 - 4-1. Phosphor Bronze with 50-60 micro-inch Nickel plated.
 - 4-2. Contact area : Min. 3 mm 50 micro-inch Gold plated.
5. IDC Housing : PC+5%, UL 94V-2.
6. IDC Terminal material & finished :
 - 6-1. Phosphor Bronze with 50-60 micro-inch Tin plated.
 - 6-2. Krone tool only.
 - 6-3. Suitable for 22-26 AWG stranded & solid wire.
7. Top & Bottom Case : Zinc Die-casting.
8. Cable Clamp : Bronze with Nickel plated.

Performance :

- a. The IDC color codes combine two wirings of T568A & T568B.
- b. Insertion force : 900 gms for 8 contacts.
- c. Retention strength : 7.7 kgs between Jack and Plug.
- d. Operation temperature : -40°C to 80°C.
- e. Durability :
 - e-1. Jack : 750 cycles Plug-Jack mating and unmating test, insertion cycles at 20 cycles/minute max. Contact resistance test per 100 cycles.
 - e-2. IDC : Max. 200 punching times.
- f. The Cat.5e performance is in compliance with the ANSI/TIA/EIA 568 B.2 standard.

GENERAL TOLERANCE OF DIMENSIONS X.XXX ±0.005 X.XX ±0.05 X.X ±0.1	DRAWING	19.MAR.2009	Connie	rotronic	
	CHECK	19.MAR.2009	KLi		
	APPROVAL	19.MAR.2009	Yty		
		DATE	NAME	ITEM NO.: 25.16.8386,87	
	SCALE	1/2 (A4)	UNIT	mm	DES.: Cat.5e German Surface Mounted Box
	DRAWING NO. JE308CE-FSD/XX(SA1)				
	DRAWING CLASSIFICATION		SHEET	1 OF 1	A1