

DH-PFH600N

10" Housing



Features

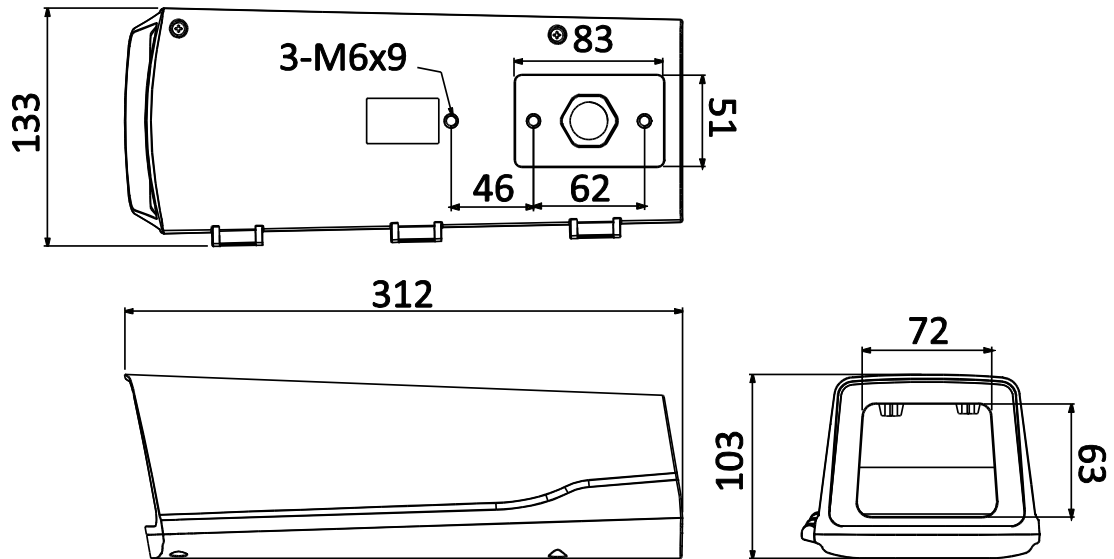
- IP66, Indoor housing
- Neat & Integrated design

Specifications

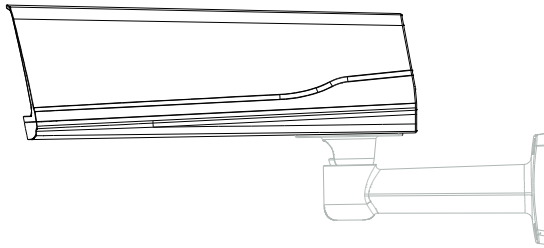
Model	DH-PFH600N	
General		
Material	ASA +PC	
Product Dimension	312mm(L) x 133mm(W) x 103mm(H)	
Inside Dimension	211mm(L) x 73mm(W) x 78(H)	
Window Dimension	63(L) x 72(W)	
Operating Temperature	Set	-30°C ~60°C
	Heater	N/A
	Cooler	N/A
Ingress Protection	IP66	
Humidity	≤90% RH (no condensation)	
IR Distance	N/A	
Wiper	N/A	
Weight	0.55Kg	
Applicable Model	Please see "Accessory Selection"	

DH-PFH600N

Dimensions (mm)



Application



Dahua Technology Co., Ltd.

1199 BinAn Road, Binjiang District, Hangzhou, China

Tel: +86-571-87688883

Fax: +86-571-87688815

Email: overseas@dahuatech.com

www.dahuasecurity.com

*Design and specifications are subject to change without notice.

© 2014 Dahua Technology Co., Ltd.