



# Technical Specifications

## MOBOTIX MOVE 2MP Speed Dome Low Light Camera

The MOBOTIX MOVE 2MP Speed Dome Low Light Camera is equipped with the latest SONY Ultra Low-Light Sensor chip-set supporting light sensitivities of down to 0.02 lux in color mode. The camera features Servo Feedback Technology. When encountering external force, such as vandalism or vibration, the PTZ can return immediately to its original position. The dome is protected by MOBOTIXEverClear superhydrophilic nano coating for best image quality even in the rain; its self-cleaning capabilities reduce cleaning efforts and operational costs.

- EverClear coating of dome
- Servo Feedback – No Drifting
- WDR up to 130 dB
- Electronic Image Stabilizer (EIS)
- H.264/H.265/MJPEG Simultaneous Streaming
- High Low-Light performance, Color-Mode: 0.02 lux
- Dual power (PoE+/AC24 V)
- IP66 and Full IK10
- ONVIF Profile S/G/T/Q Support
- Temp. Range -55 to 55 °C/-41 to 131 °F with heater
- 3D Motion Compensated Noise Reduction (MCTF)
- Smart Event Functions
- Text Overlay and Privacy Masks
- Smart Low Bitrate Control
- Triple Stream Support
- RS485 Support
- Up to 30x Optical Zoom
- Auto-tracking



## Technical Specifications

### MOBOTIX 2MP Speed Dome Low Light Camera

---

## Product Information

Product Name	2MP Speed Dome Low Light Camera
Order Code	Mx-SD1A-230-LL

---

## Image Quality

Image Sensor	2MP 1/2.8" Progressive CMOS
Effective (Used) Pixels	H x V = 1945 x 1097 (2MP)
Pixel Size	2.9 $\mu\text{m}$
Frame Rate (maximum)	<b>WDR on:</b> H.265/H.264: 2MP @30 fps @ 30fps MJPEG: 1080p @ 30fps <b>WDR off:</b> H.265/H.264: 2MP @30 fps @ 30fps MJPEG: 1080p @ 30fps

Dome Coating	Superhydrophilic and self-cleaning EverClear nano coating reduces image reflections and camera cleaning efforts (coating endurance up to 3 years depending on environmental conditions and cleaning treatment)
--------------	--

---

## Lens

Minimum Illumination	Color: 0,02 lux B/W: 0,001 lux
Lens Characteristics	Motorized Lens: Zoom, Focus, P-IRIS, Auto-IRIS Focal Length: 4.3 to 129 mm Aperture: F1.6

---

## Camera

Day/Night	Automatic mechanically switchable IR-cut filter
Shutter Time	1 to 1/10K sec
Shutter Priority Mode	Up to 1/450 sec
WDR	up to 130 dB

---

---

## Technical Specifications

### MOBOTIX 2MP Speed Dome Low Light Camera

---

EIS	Yes
Auto tracking	on / off
Zoom	Optical: 30x, Digital 10x
Image settings	Color, Brightness, Sharpness, Contrast White Balance, Exposure Control 2DNR, 3DNR, NR by Motion Masking, Text Overlay
Corridor Mode	90°, 180°, 270° Rotation

---

### Video Codec

Compression/Encoding	H.265/H.264/MJPEG
Streaming	Up to 3 individually configurable streams in H.264/H.265/MJPEG Configurable resolution, frame rate, bandwidth LBR/ VBR/CBR in H.265/H.264

---

### Network

Interface	10/100 Mbps Ethernet
Security	User Authentication/HTTPS/IP Filter/IEEE 802.1x
Supported Protocols	iARP, PPPoE, IPv4/v6, ICMP, IGMP, QoS, TCP, UDP, DHCP, UPnP, SNMP, SMTP, RTP, RTSP, HTTP, HTTPS, FTP, NTP, DDNS , SMBv2
ONVIF conformance	Supports profiles S/G/T
Supported Browsers	Microsoft Internet Explorer 10 or higher, Google Chrome, Mozilla Firefox, Apple Safari; Microsoft Internet Explorer with ActiveX is recommended for best performance and H.265 support

---

## Technical Specifications

### MOBOTIX 2MP Speed Dome Low Light Camera

---

## System Integration

Base Video Analytics	Motion Detection
Event Triggers	<ul style="list-style-type: none"><li>External Input</li><li>Analytics</li><li>Network failure detection</li><li>Periodical event</li><li>Manual trigger</li></ul>
Event Actions	<ul style="list-style-type: none"><li>External output activation</li><li>Video recording to edge storage</li><li>File upload: FTP, network share and email</li><li>Notification: HTTP, FTP, email</li></ul>

## General

Housing material	Metal and plastic
Power	PoE+ IEEE802.3at, class 4, max 23.11 W or AC24V, max 24.20 W, max 39.60 VA
Connectors	<ul style="list-style-type: none"><li>RJ45</li><li>4 x Alarm in, 2x Alarm out Terminal Block</li><li>AC24 V Terminal Block</li><li>RS485 Terminal Block</li></ul>
IR Illumination	850 nm; up to 40 m distance depending on scenery reflection
Video Storage	Support for microSD/microSDHC/microSDXC card, Support for recording to NAS, MOBOTIX MOVE NVR
Environmental Protection Class	IP66
Operating Conditions	Temperature range: -40 to 55 °C/-40 to 131 °F with Heater ON Relative humidity: 10 to 90 % rel. humidity (non-condensing)
Storage Conditions	-20 to 70 °C/-4 to 158 °F
Approvals	EMC: CE/FCC, Safety: LVD, Environmental: IP66, IK10

---

## Technical Specifications

### MOBOTIX 2MP Speed Dome Low Light Camera

---

Dimensions                    ø 210 x 279 mm

Weight                         2900 g

---

### PTZ Features

Preset positions             up to 256  
                                      1 Home position

Sequences                    up to 8 sequences with 64 preset positions each

Cruise Path                 up to 8

Auto pan paths             up to 4

Display Position            Pan/Tilt degrees can be displayed in live image

Tilt Angle                    Between -20° and +100°

Pan Angle                    360 ° endless

Tilt Speed                    Manual Tilt Speed: 0.1°-60°/s;  
                                      Preset Tilt Speed: 7°-300°/s

Pan Speed                    Preset up to 400°/s

Joystick/Keypoint Control   RS485 protocols DSCP, Pelco-D and Pelco-P

---

## Technical Specifications

### MOBOTIX 2MP Speed Dome Low Light Camera

---

# Accessories

Picture	Order Code	Description
	Mx-M-SD-C	Corner Mount for MOBOTIX MOVE SpeedDome models; installation only in combination with SpeedDome Wall Mount Mx-M-SD-W
	Mx-M-SD-GN	SD Parapet Mount (Gooseneck) with integrated junction box for MOBOTIX MOVE SpeedDome models
	Mx-M-SD-P	Pole Mount for MOBOTIX MOVE SpeedDome models
	Mx-M-SD-PM	Pendant Mount Kit 25 cm for MOBOTIX MOVE SpeedDome models
	Mx-M-SD-PMEXT	Pendant mount extension 25 cm for use with Pendant Mount Kit Mx-M-SD-PM
	Mx-M-SD-W	Wall Mount for MOBOTIX MOVE SpeedDome models; can be combined with SD Pole Mount Mx-M-SD-P or SD-Corner Mount Mx-M-SD-C
	Mx-M-SD-WM	Wall Mount with room for optional junction box Mx-M-SD-WMUB for MOBOTIX MOVE SpeedDome models
	Mx-M-SD-WMUB	Wall Mount Junction Box for MOBOTIX MOVE SpeedDome models
	Mx-NPA-UPOE1A-60W	UPoE Network Power Injector 60 W

---

## Dimensions

**NOTE!** Download the drilling template from the section or on the MOBOTIX website: [www.mobotix.com](http://www.mobotix.com) > Support > Download Center > Marketing & Documentation > Drilling Templates.

**CAUTION!** Always print or copy at 100% of the original size!

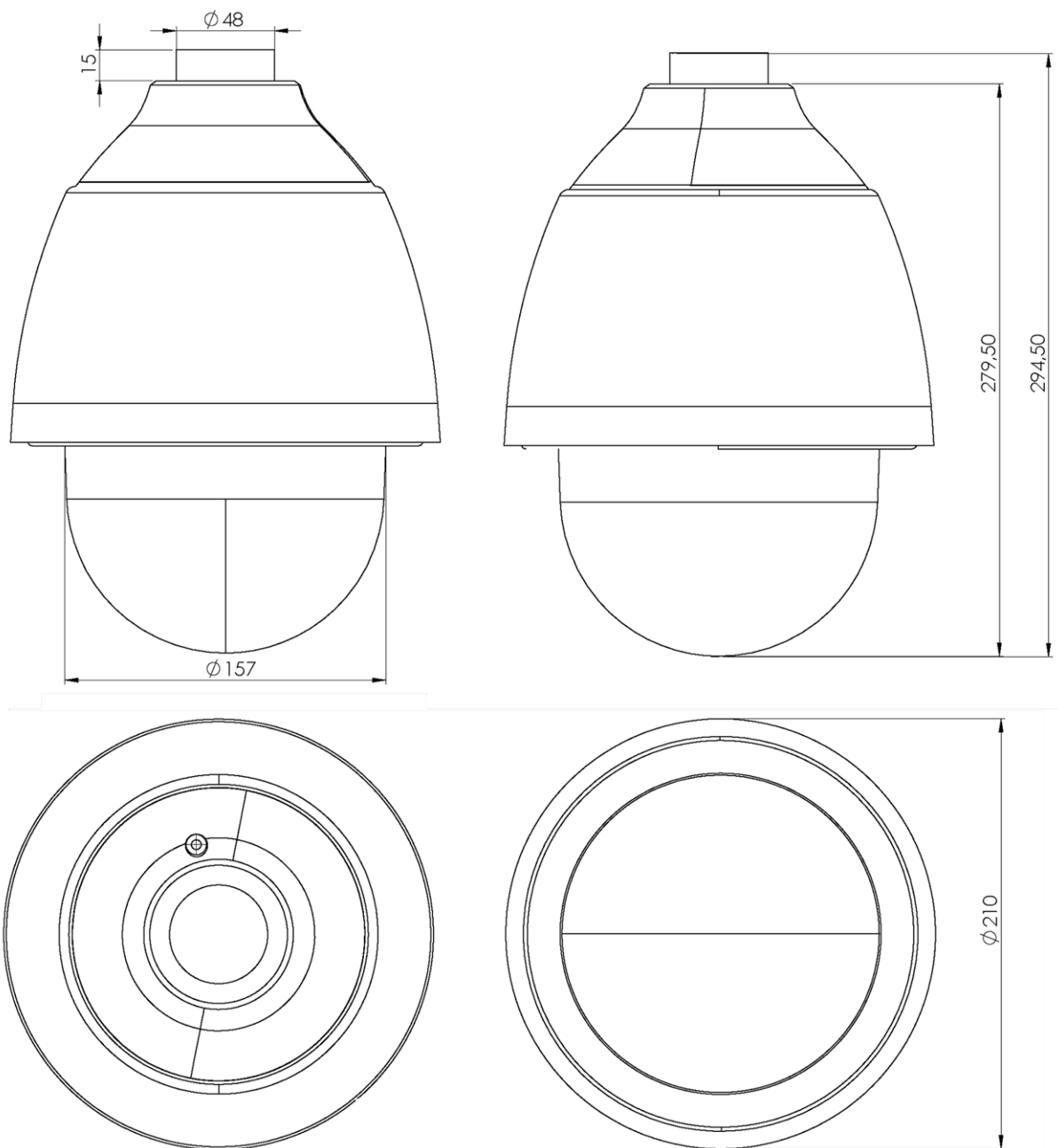


Fig. 1: 2MP Speed Dome Low Light Camera: All measurements in mm

# MOBOTIX

BeyondHumanVision

[EN\\_11/21](#)

MOBOTIX AG • Kaiserstrasse • D-67722 Langmeil • Tel.: +49 6302 9816-103 • [sales@mobotix.com](mailto:sales@mobotix.com) • [www.mobotix.com](http://www.mobotix.com)

MOBOTIX is a trademark of MOBOTIX AG registered in the European Union, the U.S.A., and in other countries. Subject to change without notice. MOBOTIX do not assume any liability for technical or editorial errors or omissions contained herein. All rights reserved. © MOBOTIX AG 2021