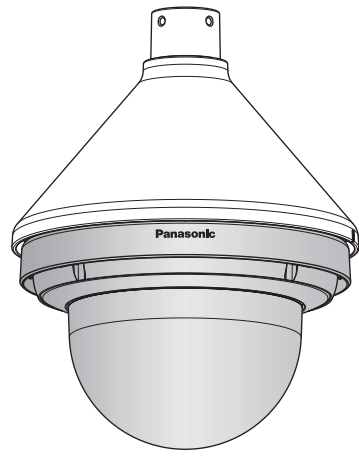


Operating Instructions

Included Installation Instructions

Mount Bracket

Model No. **WV-Q187**



Before attempting to connect or install this product, please read these instructions carefully and save this manual for future use.

The model number is abbreviated in some descriptions in this manual.

<p>For U.S. and Canada:</p> <p>Panasonic Corporation of North America Two Riverfront Plaza, Newark, NJ 07102-5490 http://business.panasonic.com/</p> <p>Panasonic Canada Inc. 5770 Ambler Drive, Mississauga, Ontario, L4W 2T3 Canada 1-877-495-0580 https://www.panasonic.com/ca/</p>	<p>For Europe and other countries:</p> <p>Panasonic Corporation http://www.panasonic.com</p> <p>Panasonic Corporation Osaka, Japan</p> <p>Authorised Representative in EU:</p> <p>Panasonic Testing Centre Panasonic Marketing Europe GmbH Winsbergring 15, 22525 Hamburg, Germany</p>
--	---

Specifications

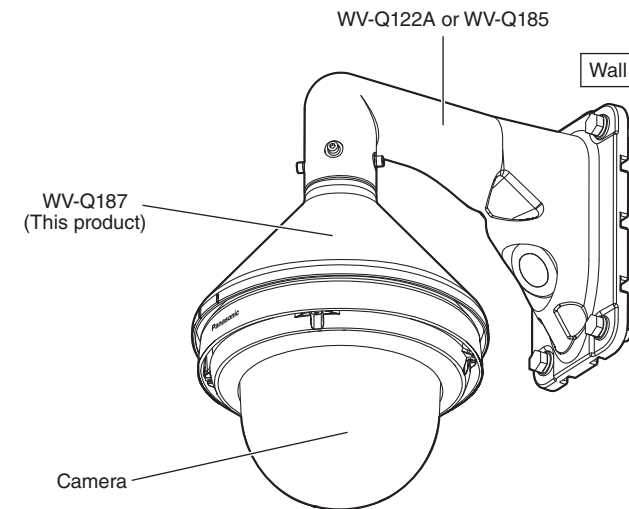
Ambient operating temperature: -50 °C to +60 °C {-58 °F to 140 °F}	
Dimensions:	Maximum diameter: ø239 mm {9-13/32 inches} Height: 165.5 mm {6-17/32 inches}
Mass:	Approx. 740 g {1.63 lbs}
Finish:	Aluminum die cast Light gray

Preface

Features

WV-Q187 (mount bracket: Light gray) is designed to be used to install a dome camera in the following ways.

- When installing on a wall using together with WV-Q122A (wall mount bracket: Fine silver) or WV-Q185 (wall mount bracket: Light gray)



Standard accessories

Operating Instructions (this document)..... 1 set

Required parts other than the above

- Accessories provided with the camera to be installed
 - Attachment plate 1 pc.
 - Fixing screws for attachment plate (M4 × 8 mm {5/16 inches}) 5 pcs. (of them, 1 for spare)

Precautions

Refer installation work to the dealer.

Installation work requires technique and experiences. Failure to observe this may cause fire, electric shock, injury, or damage to the product. Be sure to consult the dealer.

Periodic inspections shall be conducted.

Rust on the metal parts or screws may cause a fall of the product resulting in injury or accidents. Consult the dealer for the inspections.

The exclusively designed mount bracket shall be used.

Failure to observe this may cause a drop resulting in injury or accidents. Use the exclusively designed mount bracket for installation.

The screws and bolts must be tightened to the specified torque.

Failure to observe this may cause a drop resulting in injury or accidents.

Select an installation area that can support the total weight.

Selecting an inappropriate installation surface may cause this product to fall down or topple over, resulting in injury or accidents. Installation work shall be started after sufficient reinforcement.

Do not install this product in locations subject to vibration.

Loosening of mounting screws or bolts may cause a fall of the product resulting in injury or accidents.

Install this product in a location high enough to avoid people and objects from bumping the product.

Failure to observe this may cause injury.

The measures of protection against a fall of this product shall be taken.

Failure to observe this may cause a drop resulting in injury or accidents. If there is specified safety wire, please make sure to install it.

The measures of protection against snowfall shall be taken.

Weight of snow may cause a fall of the product resulting in injury or accidents. Protect the product against snowfall by installing under eaves.

Avoid installing this bracket in the locations where salt damage occurs or corrosive gas is produced.

Otherwise, the mounting portions will deteriorate and accidents such as a fall of this product may occur.

Do not hang down from this product or use this product as a pedestal.

Failure to observe this may cause injury or accidents.

Do not install this product on a place that is greatly influenced by wind.

Installation on a place where the wind speed is 60 m/s (approx. 134 mph) or more may cause a fall of the product resulting in injury or accidents.

Do not use this bracket except with specified cameras.

Failure to observe this may cause a drop resulting in injury or accidents.

Do not rub the edges of metal parts with your hand.

Strong rubbing may cause injury.

Precautions for installation

Panasonic assumes no responsibility for injuries or property damage resulting from failures arising out of improper installation or operation inconsistent with this documentation.

In order to prevent injury, the product must be securely mounted to a wall according to Operating Instructions.

Take notice of humidity.

Install this product when the humidity is low. If installation is performed when it is raining or in very humid conditions, the inside may be affected by humidity, causing mist-over inside the camera.

Mounting method for this product

This product is designed to be used as a pendant mount camera. If the product is mounted on a desktop or at a slant, it may not work correctly and its lifetime may be shortened.

Do not place this product in the following places:

- Locations where a chemical agent is used such as a swimming pool
- Locations subject to moisture or oil smoke such as a kitchen
- Locations that have a specific environment that is subject to an inflammable atmosphere or solvents
- Locations where radiation, an x-ray, a strong radio wave, or a strong magnetic field is generated
- Locations near coasts directly subjected to sea breezes, or locations subject to corrosive gases such as from hot springs, volcanic regions, etc.
- Locations where the temperature is not within the specified range (The ambient operating temperature of the installed camera.)
- Locations subject to vibrations, such as on vehicles, marine vessels, or above product lines (This product is not designed for on-vehicle use.)
- Locations subject to condensation as the result of severe changes in temperature (In case of installing the product in such locations, the inside of camera may become foggy or condensation may be caused in the camera.)

Screw tightening

- Do not use an impact driver. Use of an impact driver may damage the screws or cause tightening excessively.
- When a screw is tightened, make the screw at a right angle to the surface. After tightening the screws or bolts, perform checks to ensure that the tightening is sufficient enough so that there is no movement or looseness.

Protection from lightning

When cables are used outdoors, there is a chance that they may be affected by lightning. In such a case, install a lightning arrester close to the camera, and make the length of the network cable between the camera and lightning arrester as short as possible to prevent the camera from being damaged by lightning.

The protection cover attached to the camera unit shall be removed after completion of the installation. <WV-SFV781L>

Make sure to remove this product if it will no longer be used.

<Mountable models>

WV-Q187 is designed to be used to install following cameras. (As of June, 2018) For the latest information about the mountable models, refer to Panasonic support web site (<https://security.panasonic.com/support/info/> <Control number C0501>).

WV-SFV781L, WV-X8570N, WV-S8530N

This Operating Instructions describe the installation of WV-SFV781L as an example.

Installations/Connections

The following are descriptions of how to install WV-SFV781L on a wall using WV-Q187 (mount bracket) and WV-Q185 (wall mount bracket).

[1] Fix WV-Q185 (wall mount bracket) on a wall and attach the WV-Q187 (mount bracket) to the WV-Q185

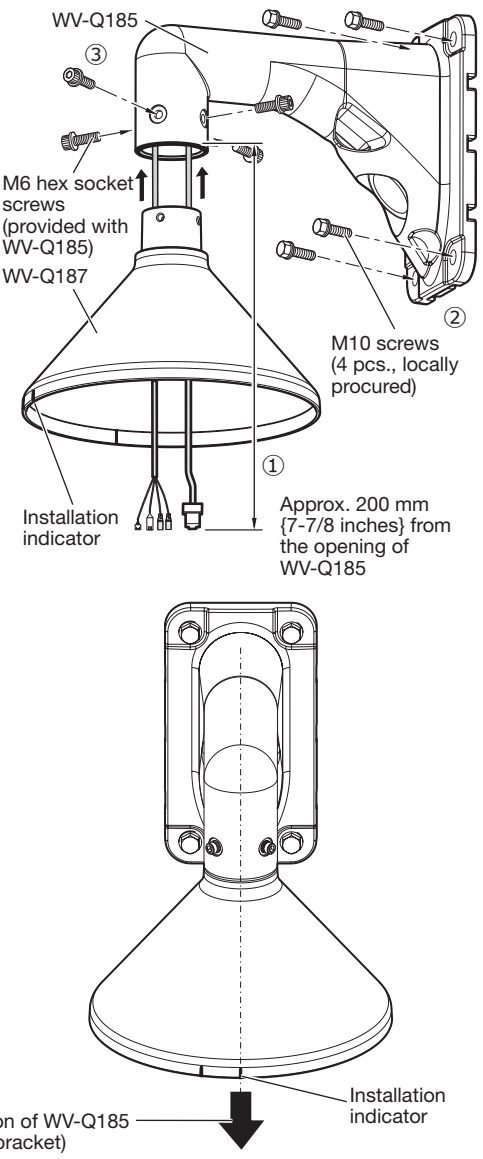
- 1 Pass the cables from the wall to the WV-Q185. Adjust the length of the cables so that the cables of approx. 200 mm (7-7/8 inches) come out from the opening of the WV-Q185.
- 2 Fix the WV-Q185 on a wall with four M10 screws (locally procured) or anchors (locally procured). Minimum pull-out strength: 823 N (185 lbf)/per 1 pc.
* Refer to the operating instructions of WV-Q185 for further information on how to fix.

Note:

- WV-Q185 can be installed on a round pole by using WV-Q182 (pole mount bracket), or on a corner section of an external wall of the building by using WV-Q183 (corner mount bracket). Refer to the Operating Instructions of WV-Q182 and WV-Q183 for more detailed installation instructions.

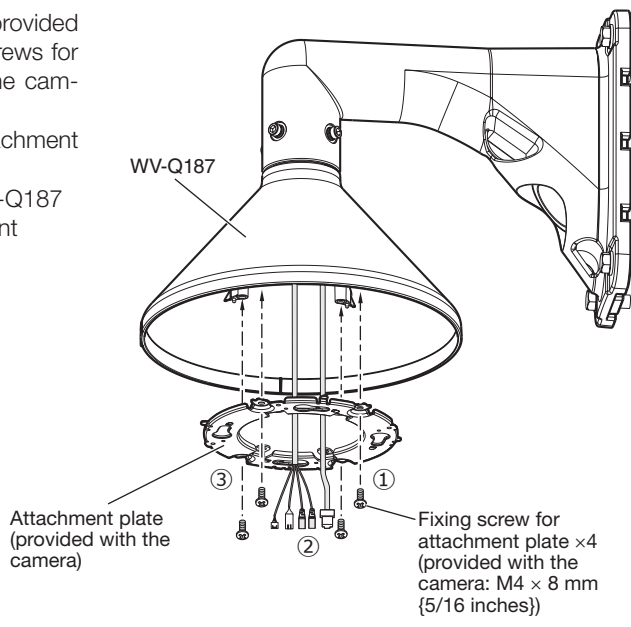
- 3 Attach the WV-Q187 to the WV-Q185, and then fix it with M6 hex socket screws (provided with WV-Q185). (A hex wrench for M6 is required.) Recommended tightening torque: 2.45 N·m (1.81 lbf·ft)

* Fix the WV-Q187 so that the installation indicator of the WV-Q187 comes in front of the WV-Q185.

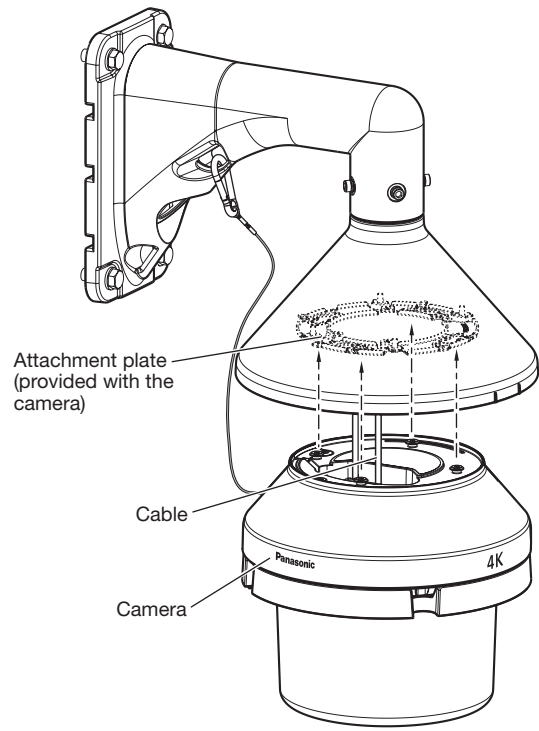


[2] Attach the attachment plate to the WV-Q187

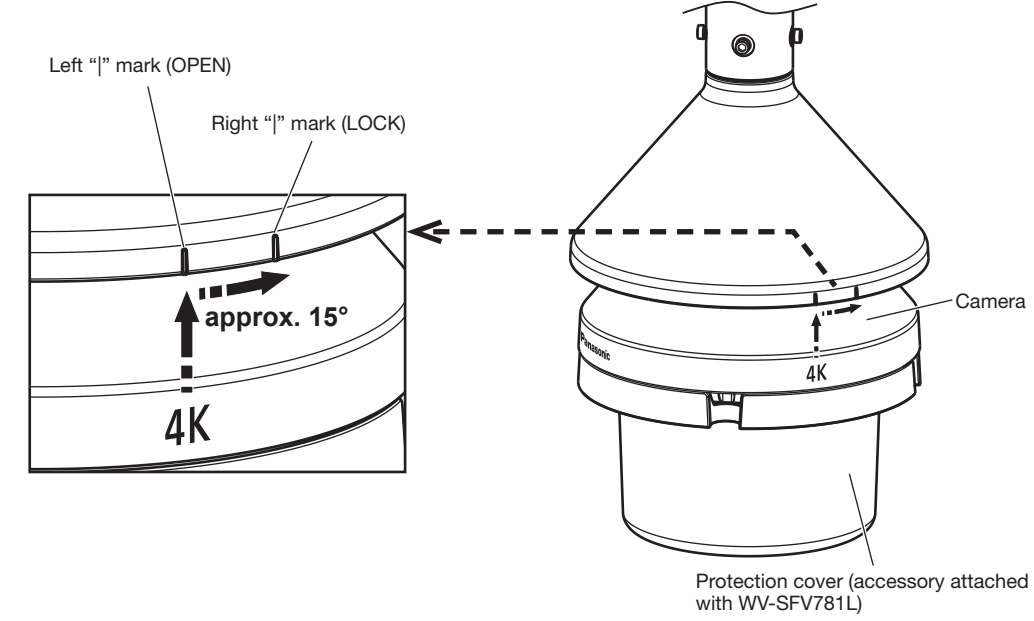
- 1 Prepare the attachment plate (provided with the camera) and the fixing screws for attachment plate (provided with the camera: M4 x 8 mm (5/16 inches)).
- 2 Pass the cables through the attachment plate.
- 3 Fix the attachment plate to the WV-Q187 with the fixing screws for attachment plate. Recommended tightening torque: 0.78 N·m (0.58 lbf·ft)



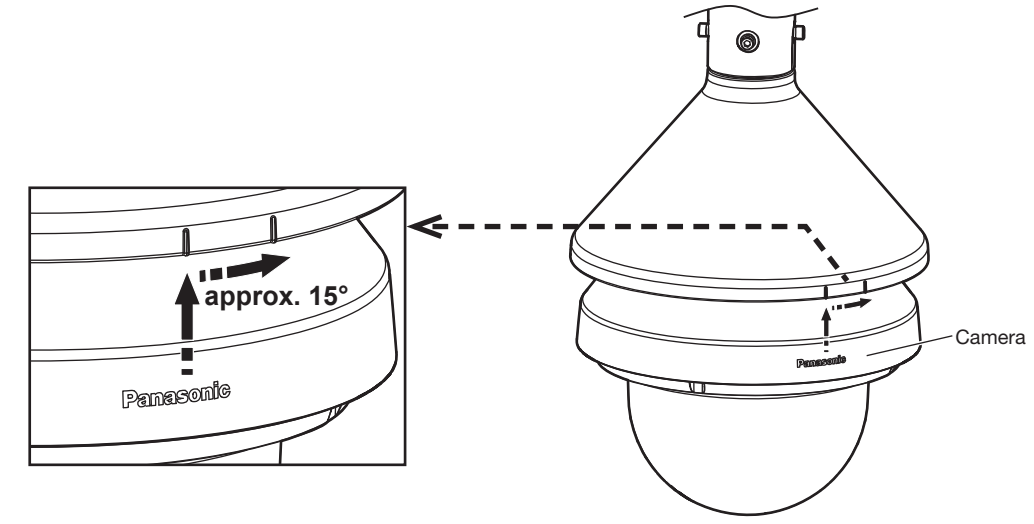
[5] Fix the camera to the attachment plate



- 1 After connecting the cables to the camera, align the left "I" mark (meaning "OPEN" position) at the 4K mark of the camera. Then, insert the attachment mounting screws (4 points) at the bottom of the camera into the holes of the attachment plate (provided with the camera). After that, align the right "I" mark (meaning "LOCK" position) at the 4K mark of the camera by rotating the camera body clockwise by approx. 15° to fix temporarily.



* The direction of the camera when it is installed on the attachment plate vary by camera. For further information on the installation of a camera, refer to the Installation Guide of the camera to be installed. (The illustration below shows the example for WV-X8570N and WV-S8530N)

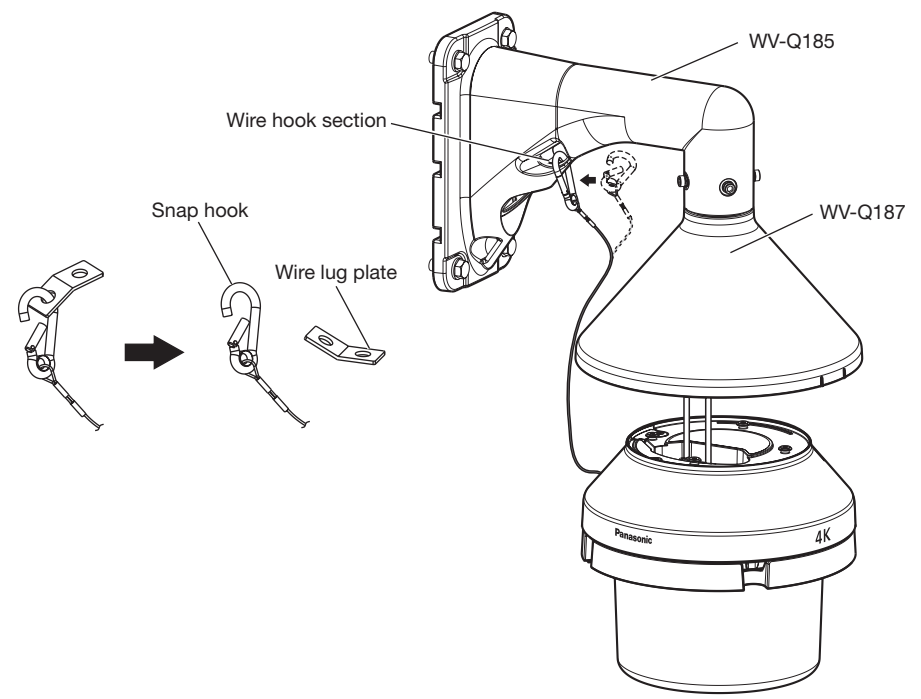


[3] Connect the safety wire to WV-Q185

Take off the wire lug plate on the snap hook. Then, connect the snap hook to the wire hook section on WV-Q185.

Note:

- Depending on the model, the wire lug plate is either attached to the safety wire and packaged, or packaged separately from the safety wire.
- Please properly keep the wire lug plate on the safety wire for later use.



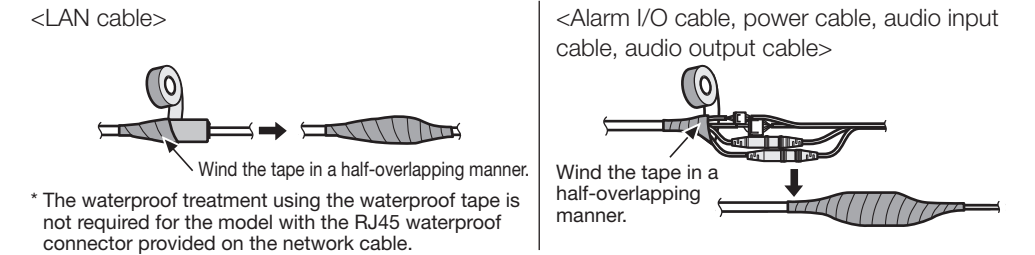
[4] Making connections

- 1 Connect the cables passed through the plate in section [2] with the cables from the camera.

Note:

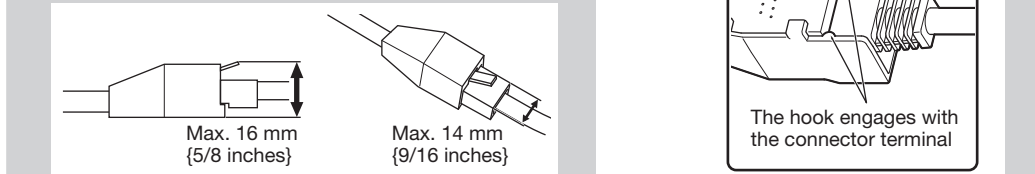
- Refer to the operating instructions of the camera for further information on how to connect cables.

- 2 Apply waterproof treatment to the joints of the cables. Adequate waterproof treatment is required for the cables when installing the camera with cables exposed. The camera body is waterproof, but the cable ends are not waterproof. Be sure to use the waterproof tape provided with the camera at the points where the cables are connected and apply waterproof treatment in the following procedure. Failure to observe this or use of a tape other than the provided waterproof tape (such as a vinyl tape) may cause water leakage resulting in malfunction. Separately apply waterproof treatment to the network cable and other cables as shown in the illustration below.



IMPORTANT:

- Also waterproof the 2P power cable (provided with the camera), 4P alarm cable (provided with the camera), and external connections in the same way.
- Stretch the tape by approx. twice (see the illustration at right) and wind it around the cable. Insufficient tape stretch causes insufficient waterproofing.
- Waterproof grade (IP66 (IEC60529) or equivalent) is applied to this product only when it is installed correctly and also an appropriate waterproof treatment is applied. The inner side of WV-Q187 (mount bracket) is not waterproofed.
- When a LAN cable cover is provided with the camera in the package, attach the LAN cable cover (provided with the camera) to the cable as shown in the illustration and fix it by sliding to the direction indicated by the arrow. The connector of the LAN cable used with this camera must meet the following restrictions. (Refer to the operating instructions of the camera for the procedures to connect the model with the RJ 45 waterproof connector.)

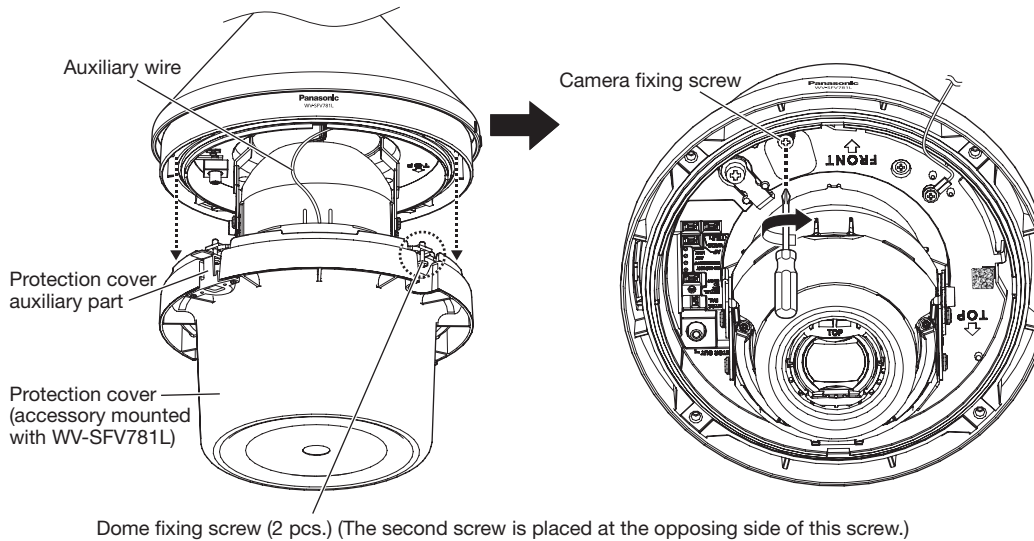


[5] Fix the camera to the attachment plate (continued)

- 2 Loosen the 2 dome fixing screws and remove the protection cover (accessory attached with the camera) from the camera with it still attached to the dome cover.
* The dome cover is temporarily fixed to the camera using 2 dome fixing screws at factory shipment. The temporarily fixed dome fixing screws are the screws not attached to the protection cover auxiliary part (2 positions).
* A dome cover does not have a protection cover in some model. Refer to the Installation Guide of each camera for the procedures to remove the dome cover.
 - 3 Remove the protective packaging and fixing tape from the camera body.
 - 4 Secure the camera using the camera fixing screw.
Recommended tightening torque: 0.78 N·m (0.58 lbf·ft)
- * Refer to the Installation Guide of each camera for further information on the camera fixing screw.

IMPORTANT:

- Securely tighten the camera fixing screws. Failure to observe this may cause the camera to fall or water to seep in, which may cause a personal injury or damage the camera.



Note:

- Loosen dome fixing screws using the bit (provided with the camera).

* The camera connection cables, protection cover, dome cover and IR LED cables are omitted in these illustrations.
⑤ Adjust images from the camera.

* For the adjustment of the camera, please refer to the operating instructions of camera.