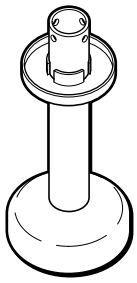


Ceiling Mount Bracket Instructions

Model No. WV-Q117/WV-Q117E



Before attempting to connect or install this product, please read these instructions carefully and save this manual for future use. The model number is abbreviated in some descriptions in this manual.

AF0205-5012 3TR003442FAA Printed in Japan

FEATURES

Ceiling hanging bracket:

This bracket can be used to hang the camera from a suspended ceiling or other location that is not strong enough to hold a screw.

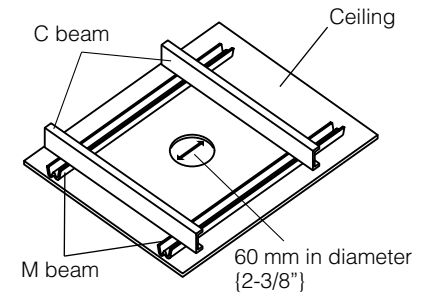
PRECAUTIONS

- Fasten the bracket to a ceiling strong enough to support the camera weight (approx. 2.9 kg {6.38 lbs}).
- Wipe the bracket regularly using a soft and dry cloth, or a cloth moistened with a water solution of an ordinary kitchen detergent.
- Do not use chemicals for cleaning the enclosure as it may damage the surface.
- All the necessary steps required for installing this product must be taken by a qualified service person or system installer.
- Be sure to use the anti-fall wire.
- Do not use this bracket except with suitable cameras.
- Follow all applicable local and national electrical, fire and safety codes when installing the camera with this ceiling mount bracket.

The model numbers in this Operating Instructions are shown without suffix.

INSTALLATION

- 1 Decide where to install the camera and open a $\phi 60$ mm {2-3/8"} hole in the ceiling.



- 2 Setting up the Mounting board.

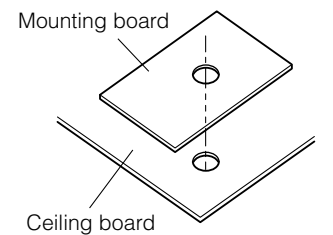
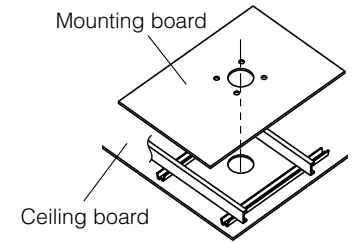
For suspended ceilings

(1) Prepare a Mounting board long enough to span the distance between the C-beams, and cut a $\phi 60$ mm {2-3/8"} hole in it that matches the hole in the ceiling.

(2) Use the template (provided) to cut four $\phi 6$ mm {1/4"} holes (in four positions) in the mounting board.

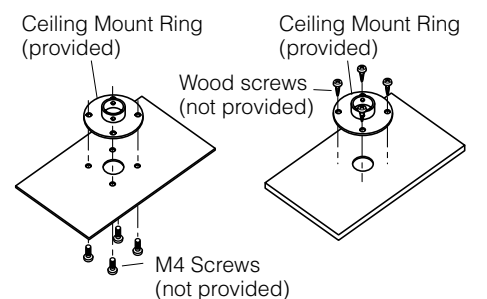
For structurally strong ceilings

Prepare the mounting board by cutting a $\phi 60$ mm {2-3/8"} hole in it.



- 3 Attach the Ceiling Mount Ring (provided) to the Mounting board. Screws are not provided. Align it with the position the camera will be installed.

• For suspended ceilings • For structurally strong ceilings



- 4 Installing the Mounting board.

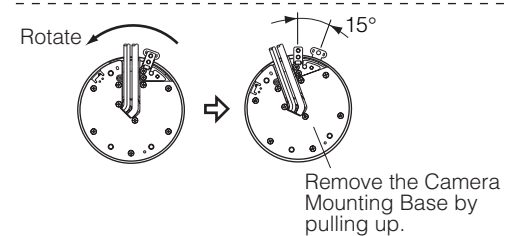
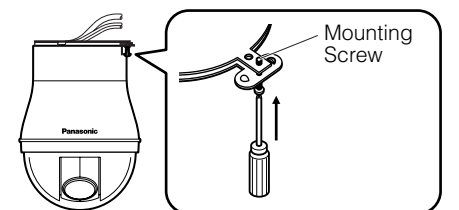
For suspended ceilings

Align it with the hole in the ceiling and lay it across the two C-beams.

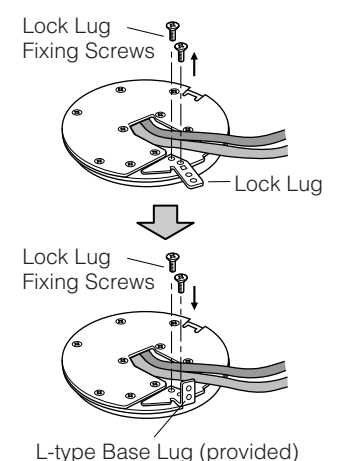
For structurally strong ceilings

Align it with the hole in the ceiling and attach it.

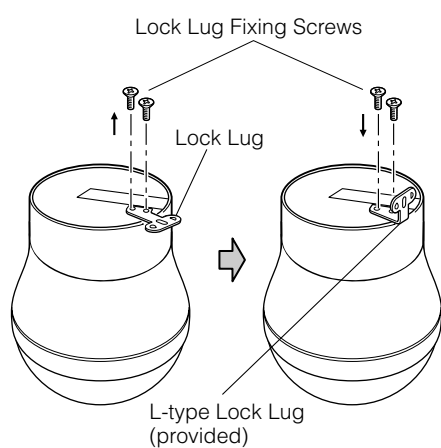
- 5 Remove the Mounting Screw (M3, provided), pull up the Camera Mounting Base off the camera, and turn the camera counterclockwise.



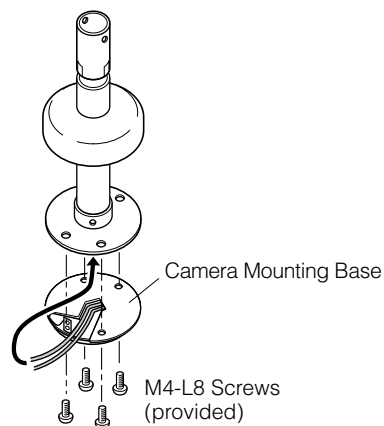
- 6 Remove the two Lock Lug Fixing Screws and replace the Lock Lug with L-type. Retighten the two Lock Lug Fixing Screws (refer to the right figure). Recommended tightening torque: 0.68 N·m {0.51 lbf·ft}



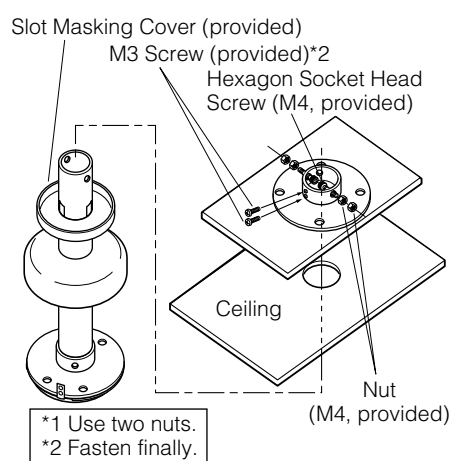
7 Remove the two Lock Lug Fixing Screws and replace the Lock Lug with L-type. Retighten the two Lock Lug Fixing Screws (refer to the right figure). Recommended tightening torque: 0.68 N-m {0.51 lbf-ft}



8 Pass the power cord and video cables of the Camera Mounting Base through the hole in this bracket, and fasten it to the bracket with the four M4-L8 Screws (provided). Recommended tightening torque: 1.56 N-m {1.16 lbf-ft}



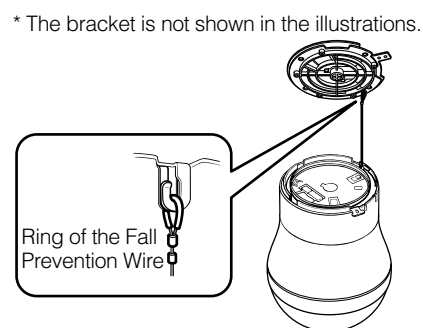
9 Fit the Slot Masking Cover (provided) over the bracket, insert the Hexagon Socket Head Screws (M3, provided) into their holes, and fasten the Ceiling Mount Ring (provided) with the two nuts (M3, provided). Recommended tightening torque (M3): 0.68 N-m {0.51 lbf-ft} Recommended tightening torque (M4): 1.56 N-m {1.16 lbf-ft}



*1 Use two nuts.
*2 Fasten finally.

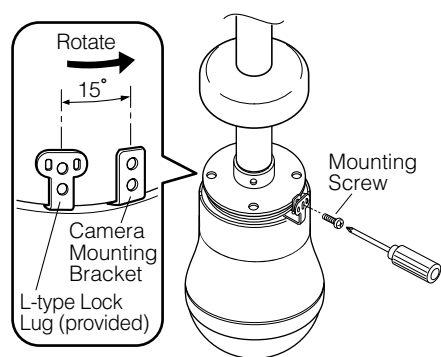
10 Suspend the Fall Prevention Wire for the camera from the Camera Mounting Base.

Note: Make sure that the wire matches the Fall Prevention Wire Fixing Angle.

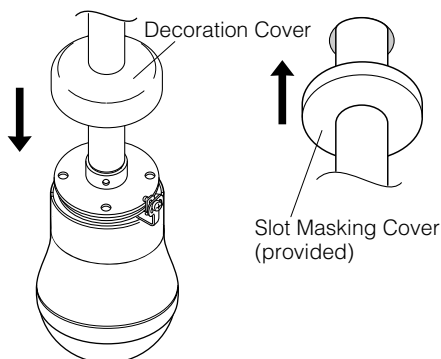


* The bracket is not shown in the illustrations.

11 Attach the camera to the Camera Mounting Base, turn the camera clockwise, and tighten the Mounting Screw (M3, provided). Recommended tightening torque: 0.68 N-m {0.51 lbf-ft}



12 Place the Decoration Cover for the bracket on the camera. Then, pull up the Slot Masking Cover (provided).

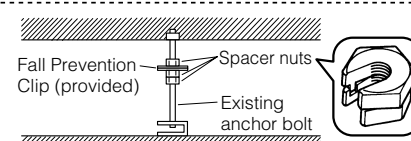
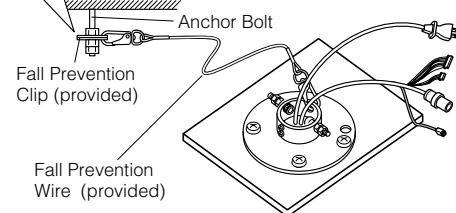
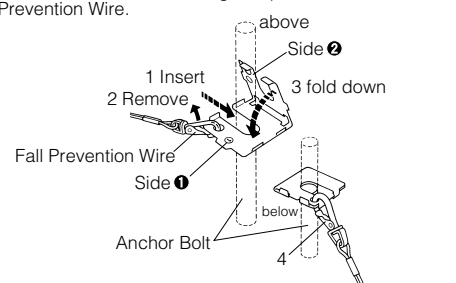


13 Attach the Fall Prevention Clip (provided) to the anchor bolt. Attach the Fall Prevention (provided) to the bracket and the Fall Prevention Angle Clip.

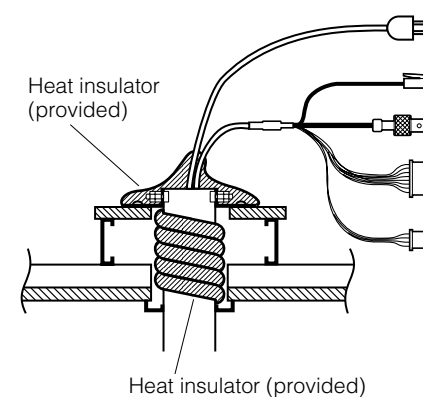
Note: Two spacer nuts are necessary for the anchor bolt.

Instructions for the Fall Prevention Clip (provided)

1. Remove the Fall Prevention Wire from the Fall Prevention Clip.
2. Insert anchor bolt from side ①.
3. Fold side ② down over side ①.
4. Suspend the Fall Prevention Angle Clip from the other end of the Fall Prevention Wire.



14 Cover the bracket with the Heat Insulator (provided).



SPECIFICATIONS

Ambient Operating Temperature:	10°C - +50°C {14°F - 122°F}
Dimensions:	120 (diameter) × 202 (D) mm {4-3/4" (diameter) × 7-61/64" (D) mm}
Weight:	720 g {1.59 lbs}

Weight and dimensions indicated are approximate. Specifications are subject to change without notice.

STANDARD ACCESSORIES

Fall Protection Wire.....	1 pc.	Wrench for Hexagon Socket Head Screw.....	1 pc.
Fall Prevention Clip.....	1 pc.	Nut (M4).....	4 pcs.
Ceiling Mounting Ring.....	1 pc.	Screw (M3).....	2 pcs.
L-type Base Lug.....	1 pc.	Screw (M4-L8).....	4 pcs.
L-type Lock Lug.....	1 pc.	Template.....	1 pc.
Slot Masking Cover.....	1 pc.	Heat Insulator.....	1 pc.
Hexagon Socket Head Screw (M4).....	2 pcs.		

For U.S. and Canada:

**Panasonic System Communications
Company of North America,
Unit of Panasonic Corporation
of North America**
www.panasonic.com/business/
For customer support, call 1.800.528.6747
Three Panasonic Way, Secaucus,
New Jersey 07094 U.S.A.

Panasonic Canada Inc.
5770 Ambler Drive, Mississauga,
Ontario, L4W 2T3 Canada
(905)624-5010
www.panasonic.ca

For Europe and other countries:

Panasonic Corporation
http://panasonic.net

Importer's name and address to follow EU rules:

Panasonic Testing Centre
Panasonic Marketing Europe GmbH
Winsbergring 15, 22525 Hamburg F.R.Germany