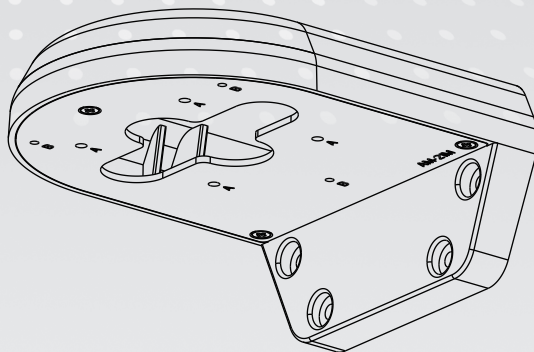


# VIVOTEK Fixed Dome Series Wall-mount Bracket

## Installation Guide

Using AM-21M wall-mount bracket  
and compatible accessories



Corresponding part number:

AM-21M: 100217600G AM-21M\_V01

Rev. 1.0

Revision History:

\* Rev. 1.0: Initial Release

## I Compatible VIVOTEK Cameras

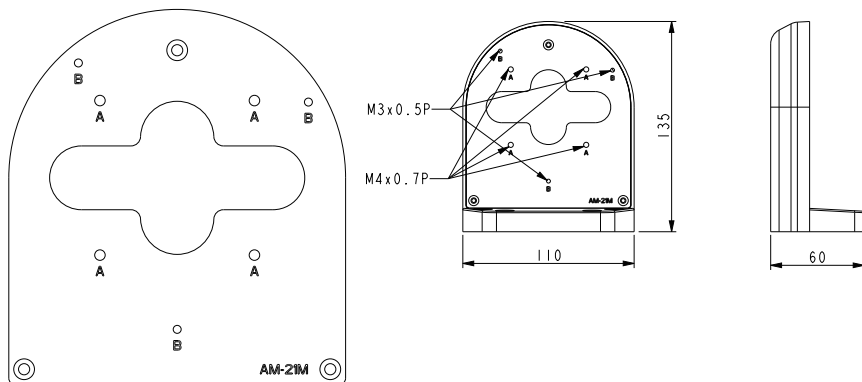
Compatible Models	Screw
A: IT9360-H, IT9380-H;	M4x8
B: IT9389-H, IT9389-HT	M3x8

You may also refer to VIVOTEK's website for the list of supported models. Support for other models can be available through time.

## II Installation

### Mounting Hole Definitions

Below are the locations of mounting holes.

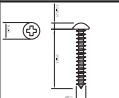
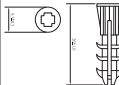
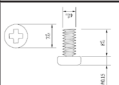



### NOTE:

1. It is presumed that this wall-mount bracket is installed with a hole drilled on the wall for routing power wires, DI/DO, and Ethernet cables.
2. Route cables before you secure the wall-mount bracket to a wall.
3. For details on the cable connections with each camera, please refer to their Quick Installation Guide.

For cabling and configuration details with each network camera, please refer to their documentation.

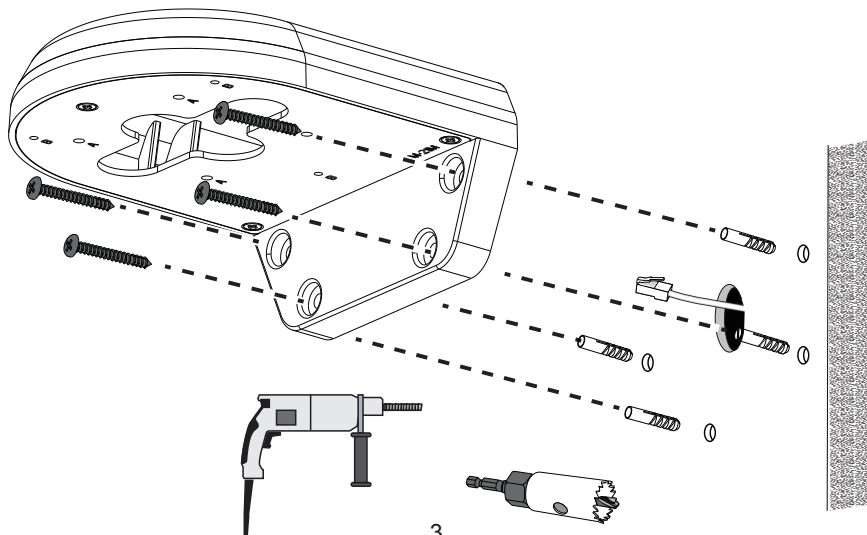
Refer to the table below for the description of the included screws:

Screw Description	Quantity	Applies to	
TP4x25 Phillips truss head	4	Securing the bracket to wall	
Plastic anchors	4	Securing the bracket to wall	
M4x8 pan head	4	Securing camera to bracket, A holes	
M3x8 pan head	3	Securing camera to bracket, B holes	

## Wall Mount Installation

Below is a general, sample procedure using a wall mount bracket:

1. Locate the position where you want to install the wall mount bracket and camera. Drill holes on the wall for securing the bracket and for routing the cables.
2. Secure the bracket by hammering anchors into the wall and then fasten screws through the four mounting holes on the bracket.



3. Route an Ethernet cable through the wall and the bracket. Install the waterproof components around the Ethernet cable.
4. Turn the camera towards the field of view of your interest. When done, align the camera's screw slots with the corresponding mounting holes.
5. Secure the camera to the wall mount.
6. Follow the instructions on the camera QIG for the rest of the installation procedure.

