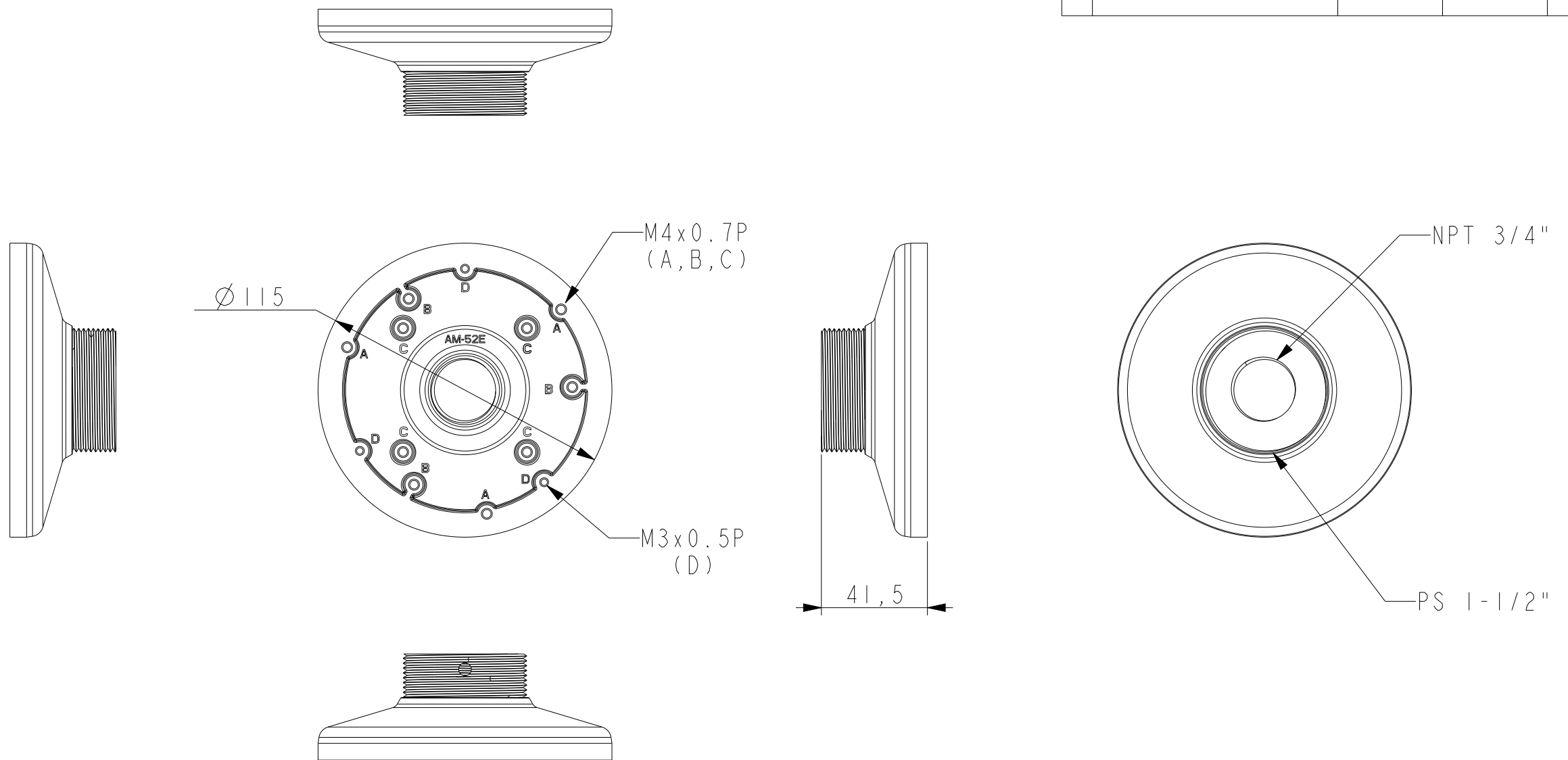


REVISIONS				
REV	DESCRIPTION	ENGINEER	REQUIRE	DATE
1.0	New Edition			Jun-24-19



UNLESS OTHERWISE SPECIFIED
ALL DIMENSIONS ARE IN mm

TOLERANCE ON:
 LINEAR : <30 ±0.10
 30-50 ±0.15
 50-100 ±0.18
 100-200 ±0.20
 200-300 ±0.25
 >300 ±0.30

ANGULAR: X ±1°
 X.X ±0.5°

 VIVOTEK Incorporated	PART NO.		ENGR	Jesen	MODEL	AM-52E		
	DRN	Jesen	CHK		DRAWING TITLE	AM-52E-6VIEW		
THIS DRAWING ON THIS PRINT AND INFORMATION THEREWITH ARE PROPRIETARY TO VIVOTEK INC. AND SHALL NOT BE USED OR DISCUSSED IN WHOLE OR IN PART WITHOUT VIVOTEK'S CONSENT.	APRV				DRAWING NO.	FORM-V02.2014-12-16		
	M'TL				ISSUE DATE	Jun-24-19	REVISION	
	FINISH				SCALE	0,250	UNIT	mm
CP02-WI-014-01-4					SIZE	A3	SHEET	1 OF 1