



IP20, 0 to 40°C

Technical Specifications



MOBOTIX c6B Indoor Dome

Perfectly Protected. Professionally Fitted.

The dome camera, which is available in black or white, can be fitted with six different MOBOTIX HD premium lenses with fields of view of 103° to 15°. An on-wall set with an integrated microphone and speaker is optionally available, as is a vandalism set for increased camera protection featuring a stainless steel ring and reinforced dome. With the MxIOBoard-IC available as an accessory, the camera receives an additional MxBus connection, two inputs and two 12V outputs.

- Mx6 system platform 2nd generation, with MxBus, H.264 and ONVIF compatibility
- Recording on an internal MicroSD card (4 GB as standard)
- Easily installed in the ceiling, optionally available with on-wall set with audio
- Manually adjustable lens tilt angle of 0° to 90°
- Heightened manipulation protection through optional vandalism set
- MxAnalytics Video Analysis tools as standard
- Integrated vibration and temperature sensor

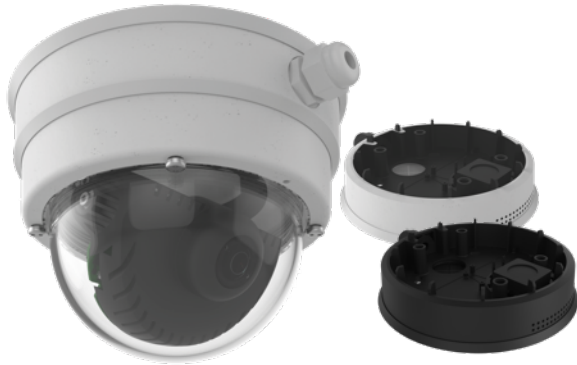
Technical Specifications: c6B Indoor Dome



Camera Variants	c6B Body Day Lens For Self-Assembly	c6B Body Night Lens For Self-Assembly	c6B Day Complete Camera
Specialties	c6B Body, white or black housing, 6MP Day sensor, all lenses available separately for self-assembly	c6B Body, white or black housing, 6MP Night sensor, all lenses available separately for self-assembly	Factory-assembled c6B Day camera with white housing and sharply focused 103° lens
Lenses	c6B Body Day Lens For Self-Assembly	c6B Body Night Lens For Self-Assembly	c6B Day Complete Camera
Ultra Wide Lens MX-B036 (f/1.8, 103° x 77°)	Lens selection for c6B Body Day White: Mx-c6B-6D Black: Mx-c6B-6D-b	Lens selection for c6B Body Night White: Mx-c6B-6N Black: Mx-c6B-6N-b	Mx-c6B-6D036
Super Wide Lens MX-B041 (f/1.8, 90° x 67°)			Self-assembly only
Wide Lens MX-B061 (f/1.8, 60° x 45°)			
Standard Lens MX-B079 (f/1.8, 45° x 34°)			
Tele Lens MX-B119 (f/1.8, 31° x 23°)			
Distant Tele Lens MX-B237 (f/1.8, 15° x 11°)			
Hardware	c6B Body Day Lens For Self-Assembly	c6B Body Night Lens For Self-Assembly	c6B Day Complete Camera
Image sensor with individual exposure zones	Color	B/W	Color
Light sensitivity in lux at 1/60 s and 1/1 s	0.1/0.005 (Color)	0.02/0.001 (B/W)	0.1/0.005 (Color)
Image sensor (color or B/W sensor)	1/1.8" CMOS, 6MP (3072 x 2048), Progressive Scan		
Tilt angle of lens	0° to -90° (manually adjustable)		
Microprocessor	i.MX 6 Dual Core inkl. GPU (1 GB RAM, 512 MB Flash)		
H.264 Hardware Codec	Yes, bandwidth limitation available; output image format up to QXGA		
Protection classes	IP20; IK10 without accessories, IK08 with on-wall set, IK10+ with vandalism sets		
Intended use	Ceiling mounting, indoor use only, No EX area		
Ambient temperature (range, incl. storage)	0 to 40°C (32 to 104 °F)		
Internal DVR, ex works	4 GB (microSD)		
Microphone/speaker	With optional On-Wall Set with Audio (Mx-M-OWA-AU and Mx-M-OWA-AU-b)		
16bit/16kHz HD wideband audio (Opus codec)	With optional On-Wall Set with Audio (live and audio messages)		
Passive infrared sensor (PIR)	No		
Temperature sensor	Yes		
Shock detector (tamper detection)	Yes		
Power consumption (typically at 20°C/68°F)	5 watts		
PoE Class (IEEE 802.3af)	Class 2 or 3 (variable), factory setting: class 3		
Interfaces Ethernet 100BaseT/MxBus/USB	Yes (MxRJ45)/No/Yes		
Interface RS232	With MX-232-IO-Box (Order Nr: MX-OPT-RS1-EXT)		
Interfaces MxBus and I/O (2 outputs, 2 inputs)	With MxIOBoard-IC (Order Nr. Mx-A-IO-IC)		
Mounting options	Ceiling; ceiling suspension (1 to 2 m/3.3 to 6.6 ft) with accessories: MxTubeMount suspension system (MX-MT-TUBE) and 1 m or 2 m long aluminium suspension tube (MX-MT-TUBE100 or MX-MT-TUBE200)		
Dimensions (Height x Diameter)	90 x 150 mm		

Technical Specifications: c6B Indoor Dome

Hardware	c6B Body Day Lens For Self-Assembly	c6B Body Night Lens For Self-Assembly	c6B Day Complete Camera
Weight	380 g		
Housing	PBT-30GF, color: white or black		
Enhanced tamper protection IK10+	With optional vandalism set: stainless steel protection ring and reinforced polycarbonate dome, XL version for c6B with on-wall set (MX-MT-v25-V and MX-MT-v25-V-XL)		
Standard accessory	Mounting material, Allen wrench, Torx wrench, lens wrench, 0.5 m Ethernet cable, Quick Install		
Detailed technical documentation	www.mobotix.com > Support > Download Center		
Online version of this document	www.mobotix.com > Support > Download Center		
MTBF	> 80,000 hours		
Certifications	EN55032:2012; EN55022:2010; EN55024:2010; EN50121-4:2015; EN61000-6-1:2007; EN 61000-6-2:2005 EN61000-6-3:2007+A1:2011; EN61000-6-4:2007 +A1:2011; AS/ NZS CISPR22:2009+A1:2010; CFR47 FCC part15B		
Protocols	IPv4, IPv6, HTTP, HTTPS, FTP, FTPS, RTP, RTSP, UDP, SNMP, SMTP, DHCP (client and server), NTP (client and server), SIP (client and server) G.711 (PCMA and PCMU) and G.722		
Manufacturer's warranty (since May 2018)	3 years		



On-Wall Set with Audio (white/black)



Vandalism Set (Standard/XL)



MxTubeMount

Image Formats, Frame Rates, Image Storage	c6B Body Day Lens For Self-Assembly	c6B Body Night Lens For Self-Assembly	c6B Day Complete Camera
Available video codecs	MxPEG/MJPEG/H.264		
Image formats	Freely configurable format 4:3, 8:3, 16:9 or customized format (Image Cropping), such as 2592x1944 (5MP), 2048x1536 (QXGA), 1920x1080 (Full-HD), 1280x960 (MEGA)		
Multistreaming	Yes		
Multicast stream via RTSP	Yes		
Max. image format	6MP (3072 x 2048)		
Max. frame rate (fps, only single core used)	MxPEG: 42@HD(1280x720), 34@Full-HD, 24@QXGA, 15@5MP, 12@6MP MJPEG: 26@HD(1280x720), 13@Full-HD, 9@QXGA, 5@5MP, 4@6MP H.264: 25@Full-HD, 20@QXGA		
Number of images with 4 GB microSD (internal DVR)	CIF: 250,000, VGA: 125,000, HD: 40,000, QXGA: 20,000, 6MP: 10,000		
General Functions	c6B Body Day Lens For Self-Assembly	c6B Body Night Lens For Self-Assembly	c6B Day Complete Camera
Digital zoom and pan	Yes		
ONVIF compatibility	Yes (Profile S)		
Genetec protocol integration	Yes		
Programmable exposure zones	Yes		
Snapshot recording (pre/post-alarm images)	Yes		

Technical Specifications: c6B Indoor Dome

General Functions	c6B Body Day Lens For Self-Assembly	c6B Body Night Lens For Self-Assembly	c6B Day Complete Camera
Continuous recording with audio	Yes (with on-wall set with audio)		
Event recording with audio	Yes (with on-wall set with audio)		
Time controlled flexible event logic	Yes		
Weekly schedules for recordings and actions	Yes		
Event video and image transfer via FTP and email	Yes		
Playback and QuadView via web browser	Yes		
Bidirectional audio in browser	Yes (with on-wall set with audio)		
Animated logos on the image	Yes		
Master/Slave functionality	Yes		
Privacy zone scheduling	Yes		
Customized voice messages	Yes (with on-wall set with audio)		
VoIP telephony (audio, alert)	Yes (with on-wall set with audio)		
Remote alarm notification (network message)	Yes		
Programming interface (HTTP-API)	Yes		
DVR	Inside camera via microSD card, externally via USB device and NAS, different streams for live image and recording, MxFFS with archive function, pre-alarm an post-alarm images, monitoring recording with failure reporting		
Camera and data security	User and group management, SSL connections, IP-based access control, IEEE802.1x, intrusion detection, digital image signature		
MxMessageSystem: Sending and receiving of MxMessages	Yes		
Video Analysis	c6B Body Day Lens For Self-Assembly	c6B Body Night Lens For Self-Assembly	c6B Day Complete Camera
Video Motion Sensor	Yes		
MxActivitySensor	Yes		
MxAnalytics	Yes (Heatmaps, counting corridors)		
Video Management Software	c6B Body Day Lens For Self-Assembly	c6B Body Night Lens For Self-Assembly	c6B Day Complete Camera
MxManagementCenter	Yes		
Mobile MOBOTIX App	Yes		

Delivered Parts v26



Item	Count	Part Name
1.1	1	v26 with standard dome
1.2	1	Sealing
1.3	1	Ethernet patch cable, 50 cm/19.7 in, black
1.4	1	Allen wrench 2.5 mm
1.5	1	Torx wrench TX20
1.6	1	MicroSD card pre-installed (SDHC montiert, SDXC supported)
1.7	1	Lens wrench, red
1.8	4	Allen screws M4x16 mm, black (for black housing) Allen screws M4x16 mm, silver-colored (for white housing)
1.9	4	Stainless steel washers Ø 5.3 mm
1.10	4	Dowels 8 mm
1.11	4	Stainless steel wood screws with Torx head 4.5x60 mm
1.12	1	Reflection protection



