



Q26 – Professional Outdoor Overview Camera

- **High-Performance Hemispheric Camera For Indoor And Outdoor Use**
Applicable as day or night System with detailed 6MP color or B/W sensor
- **HD Premium Fisheye Lens Enables Perfect Overview Images**
Monitoring of an entire room (ceiling mounted) or building front (wall mounted) without blind spots
- **Powerful, Intelligent And Flexible Mx6 System Platform**
Simultaneous streaming of up to three video codecs (MxPEG, MJPEG And H.264)
- **Intelligent 3D Motion Detection And Video Analysis**
MxActivitySensor and MxAnalytics integrated as standard
- **Reduced Energy Costs**
Power consumption < 5 W, standard PoE
- **Virtually Maintenance-Free (IP66)**
Weatherproof, operates reliably from -30 to 50°C

Technical Specifications

MOBOTIX Q26 Hemispheric



Camera Variants	Q26 Day Complete Camera	Q26 Night Complete Camera
Specialties	Factory-assembled Q26 Day or Night camera with sharply focused fisheye special lens	
Lenses	Q26 Day Complete Camera	Q26 Night Complete Camera
Fisheye Lens MX-B016 (f/2.0, Hemispheric 180° x 180°)	Mx-Q26A-6D016	Mx-Q26A-6N016
Hardware	Q26 Day Complete Camera	Q26 Night Complete Camera
Image sensor with individual exposure zones	Color	Black & White
Light sensitivity in lux at 1/60 s and 1/1 s	0.1/0.005	0.02/0.001
Image sensor (color or B/W sensor)	1/1.8" CMOS, 6MP (3072 x 2048), Progressive Scan	
Microprocessor	i.MX 6 Dual Core incl. GPU (1 GB RAM, 512 MB Flash)	
H.264 Hardware Codec	Yes, bandwidth limitation available; output image format up to QXGA	
Protection classes	IP66 and IK10 (IK10 with Vandalism Set)	
Intended use	Not for use in hazardous areas (Ex area)	
Ambient temperature (range, incl. storage)	-30 to 50°C/-22 to 122°F	
Internal DVR, ex works	4 GB (microSD)	
Microphone/speaker	Yes/Yes	
16bit/16kHz HD wideband audio (Opus codec)	Yes (live and audio messages)	
Passive infrared sensor (PIR)	No	
Temperature sensor	Yes (live and audio messages)	
Shock detector (tamper detection)	Yes (with future software update)	
Power consumption (typical)	< 5 watts	
PoE Class (IEEE 802.3af)	Class 2 or 3 (variable), factory setting: class 3	
Interfaces Ethernet 100BaseT/MxBus/USB	Yes (MxRJ45)/No/Yes	
Interface RS232	With accessory (MX-232-IO-Box)	
Mounting options	Wall, ceiling or floor	
Dimensions (height x diameter)	48 x 160 mm	
Weight	350 g	
Housing	Fixed Dome, PBT-30GF, color: white	
Standard delivery	Screws, dowels, allen wrench, Torx wrench, 0,5 m Ethernet patch cable, Quick Install	
Detailed technical documentation	www.mobotix.com > Support > Manuals	
Online version of this document	www.mobotix.com > Support > Spec Sheets	
MTBF	> 80,000 hours	
Certifications	EN55022:2010; EN55024:2010; EN50121-4:2006 EN61000-6-1:2007; EN 61000-6-2:2005 EN61000-6-3:2007+A1:2011 EN61000-6-4:2007+A1:2011 AS/ NZS CISPR22:2009+A1:2010 CFR47 FCC part15B	
Protocols	IPv4, IPv6, HTTP, HTTPS, FTP, SFTP, RTP, RTSP, UDP, SNMP, SMTP, DHCP (client and server), NTP (client and server), SIP (client and server) G.711 (PCMA and PCMU) and G.722	

Technical Specifications

MOBOTIX Q26 Hemispheric



Image Formats, Frame Rates, Image Storage	Q26 Day Complete Camera	Q26 Night Complete Camera
Available video codecs	MxPEG/MJPEG/H.264	
Image formats	Freely configurable format 4:3, 8:3, 16:9 or customized format (Image Cropping), such as 2592x1944 (5MP), 2048x1536 (QXGA), 1920x1080 (Full-HD), 1280x960 (MEGA)	
Multistreaming	Yes	
Multicast stream via RTSP	Yes	
Max. image format	6MP (3072 x 2048)	
Max. frame rate (fps, only single core used)	MxPEG: 42@HD(1280x720), 34@Full-HD, 24@QXGA, 15@5MP, 12@6MP MJPEG: 26@HD(1280x720), 13@Full-HD, 9@QXGA, 5@5MP, 4@6MP H.264: 25@Full-HD, 20@QXGA	
Number of images with 4 GB microSD (internal DVR)	CIF: 250.000, VGA: 125.000, HD: 40.000, QXGA: 20.000, 6MP: 10.000	



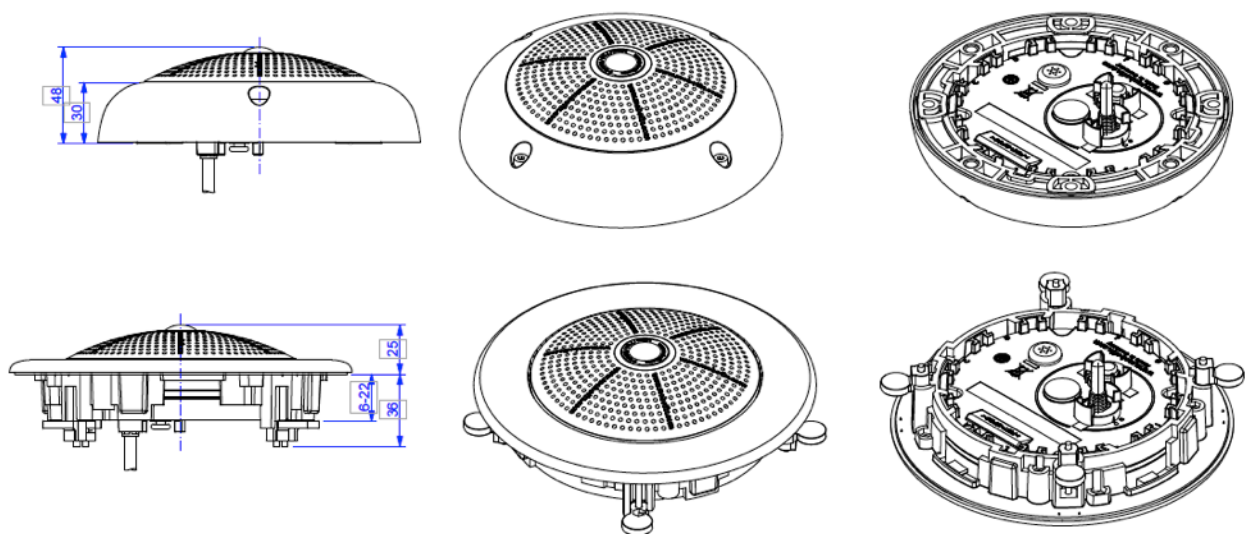
General Functions	Q26 Day Complete Camera	Q26 Night Complete Camera
Digital zoom and pan	Yes	
ONVIF compatibility	Yes, complete ONVIF Profile S supported by future software update	
Genetec protocol integration	Yes	
Programmable exposure zones	Yes	
Snapshot recording (pre/post-alarm images)	Yes	
Continuous recording with audio	Yes	
Event recording with audio	Yes	
Time controlled flexible event logic	Yes	
Weekly schedules for recordings and actions	Yes	
Event video and image transfer via FTP and email	Yes	
Playback and QuadView via web browser	Yes	
Bidirectional audio in browser	Yes	

Technical Specifications

MOBOTIX Q26 Hemispheric

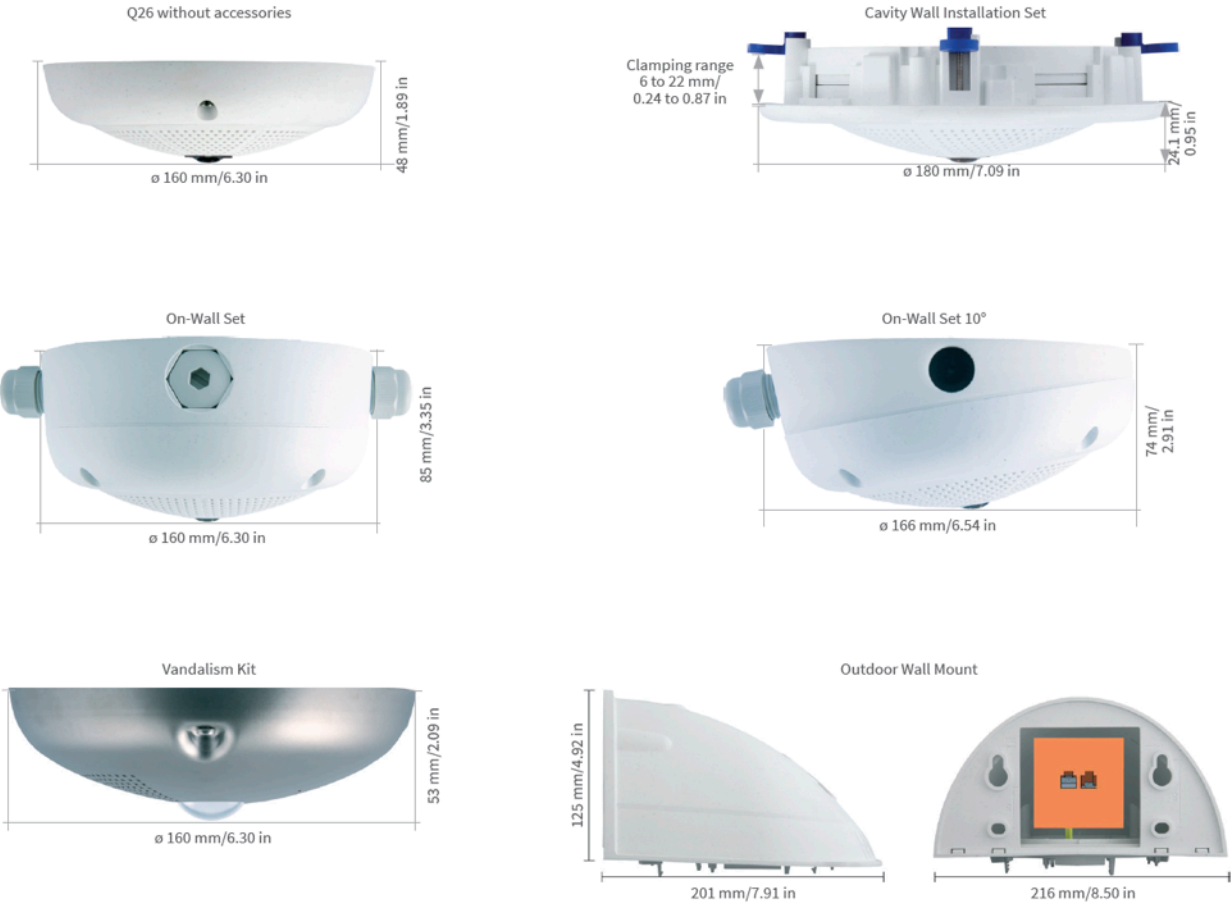


General Functions	Q26 Day Complete Camera	Q26 Night Complete Camera
Animated logos on the image		Yes
Master/Slave functionality		Yes
Privacy zone scheduling		Yes
Customized voice messages		Yes
VoIP telephony (audio/video, alert)		Yes
Remote alarm notification (network message)		Yes
Programming interface (HTTP-API)		Yes
DVR	Inside camera via microSD card, externally via USB device and NAS, different streams for live image and recording, MxFFS with archive function, pre-alarm and post-alarm images, monitoring recording with failure reporting	
Camera and data security	User and group management, SSL connections, IP-based access control, IEEE802.1x, intrusion detection, digital image signature	
MxMessageSystem: Sending and receiving of MxMessages		Yes
Video Analysis	Q26 Day Complete Camera	Q26 Night Complete Camera
Video Motion Sensor		Yes
MxActivitySensor		Yes
MxAnalytics	Yes (Heatmaps, counting corridors and behavioural detection)	
Video Management Software	Q26 Day Complete Camera	Q26 Night Complete Camera
MxManagementCenter		Yes
Mobile MOBOTIX App		Yes



Technical Specifications

MOBOTIX Q26 Hemispheric



Dimensions in mm