

INTRODUCTION

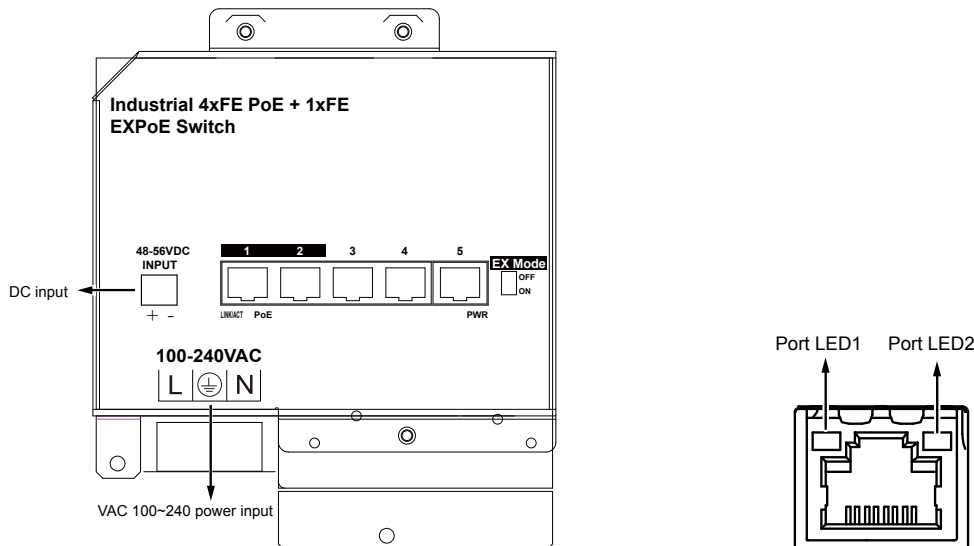
The AW-FET-053C-120 is a 4 port 10/100BaseT PoE switch capable of feeding 15.4/30W (54V max. per port) power to Power over Ethernet (PoE) devices. It comes with another 1x FE RJ45 uplink port. The switch is capable of a total of 120 Watts PoE power budget.

PACKAGE CONTENTS

* 1x PoE switch	* 1x Quick Installation Guide
* 1x T25 L-wrench	

⚠ IMPORTANT:

1. Install the PoE switch in a ventilated and dry place that is free of electromagnetic source, vibration, moisture, and dust.
2. Make sure the ventilation openings on the switch are not blocked.
3. Use CAT5 or 5e UTP/STP cables.
4. AC input (100~240V/AC, 50~60Hz), for a max. consumption of 120W.

CONNECTION

EX MODE DIP SWITCH

EX ON	Ports 1 & 2 up to 200m PoE distance. When enabled, each port is isolated, but is linked to the uplink ports.
EX OFF	Normal communication for ports 1 ~ 5.

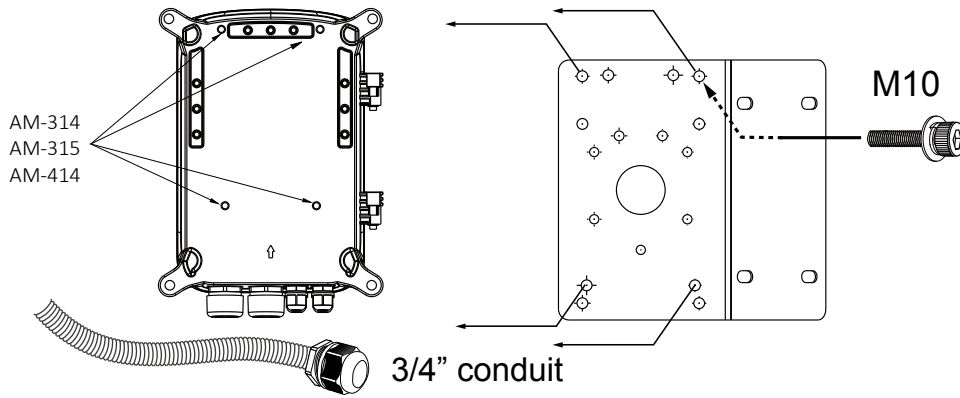
* EX mode in 802.3af/at (15.4W/30W): camera connection up to 200m@10Mbps via EXPoE ports.

LED DEFINITIONS

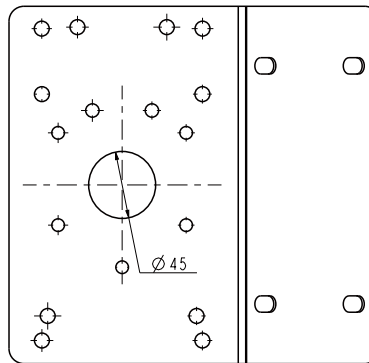
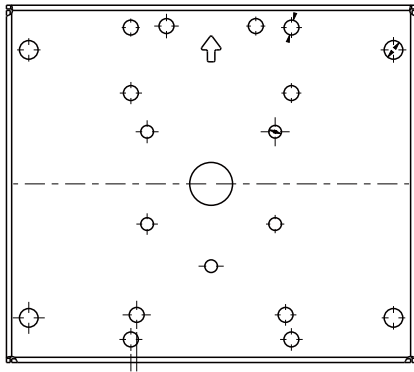
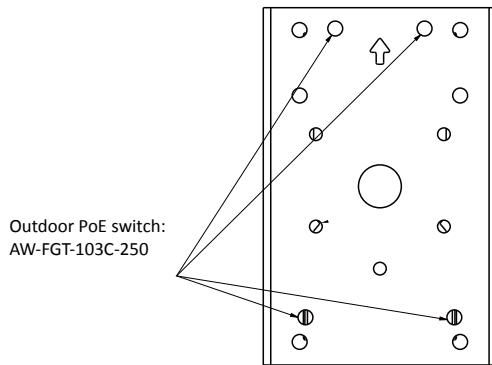
Power	Orange ON	Power is on and normal.
	Orange Off	Power is off.
Link/Act	Green ON	Ethernet port is connected.
	Green Off	No connection.
	Green blinking	Data is being transmitted or received.
PoE	Orange ON	Port is linked to a powered device.
	Orange Off	No device is connected.
	Orange blinking	Abnormal power supply is detected.

INSTALLATION

Use the included M10 hex socket screws to secure the power box to a pole-mount or corner mount bracket.



The mounting hole definition is illustrated below. The same mounting hole pattern apply to all pole-mount and corner-mount brackets.



All specifications are subject to change without notice.
Copyright © 2017 VIVOTEK INC. All rights reserved.