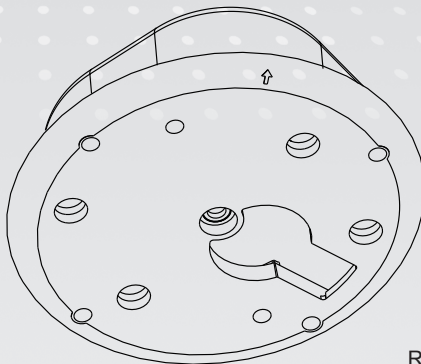


# VIVOTEK Fixed Dome Series Mounting Bracket

## Installation Guide

Using AM-51E mounting bracket  
and compatible accessories



Rev. 1.0

Ordering part no.:100171300G

QIG Part no.: 625043100G

## Revision History:

\* Rev. 1.0: Initial Release

# I Compatible VIVOTEK Cameras

Fixed Dome series	<b>FD8366-V, FD8166A, FD8166A-N</b>
-------------------	-------------------------------------

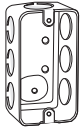
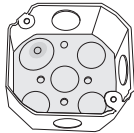
You may also refer to VIVOTEK's website for the list of supported models. Support for other models can be available through time.

**Package Contents:** AM-51E, Installation Guide, 4x panhead M3x5.

# II Installation

## Mounting Hole Definitions

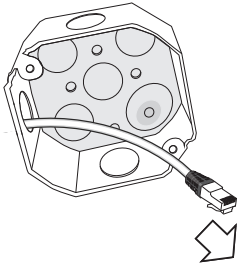
Below are the locations of different groups of mounting holes for matching different junction boxes:

Hole Type	Applicable Box	Drawings	Screw	No. of screws
<b>A</b>	4" x 2" handy box, 1-1/2" deep, 1/2" end knockouts		#6-32, L15 (User-supplied)	2
<b>B</b>	3.5" octagon box, 1-1/2" deep, 1/2" side knockouts		#8-32, L15 (User-supplied)	2



## Installing the Mounting Bracket

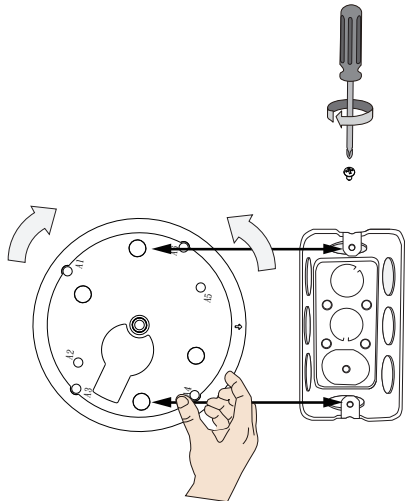
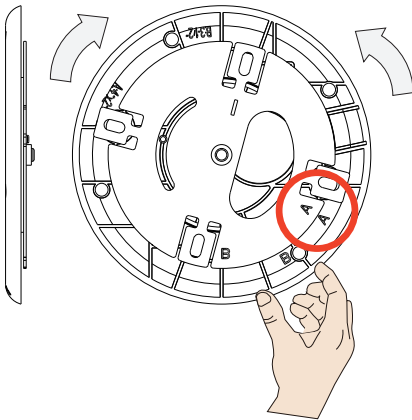
1. Route cables through the junction box.



2. Install the bracket to the junction box using either the A or B holes.

Before installation, align the A mark on the base plate with that on the rotation plate. If using the 3.5" octagon box, align the B marks.

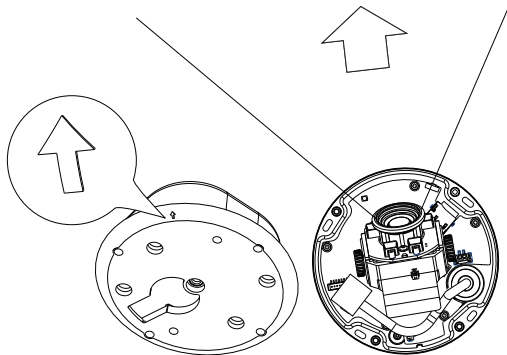
Turn the rotation plate to align the through holes with the mounting holes on the box.



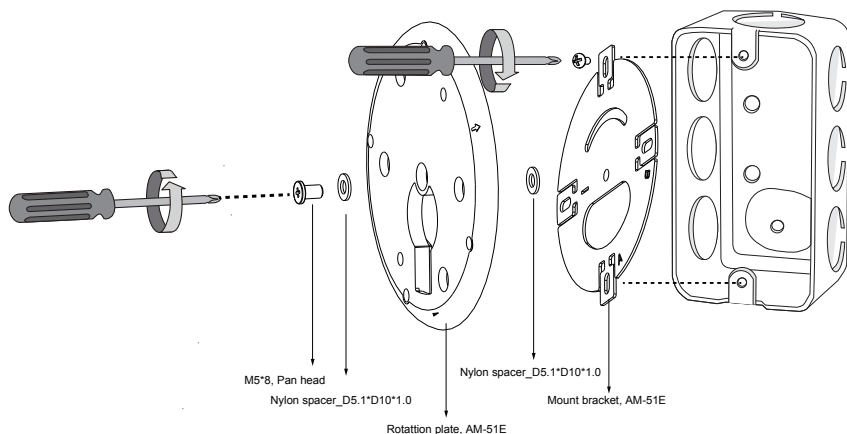
When installing to junction box, use screws with heads smaller than  $\text{Ø}8.5 \text{ mm}$

**⚠ IMPORTANT:**

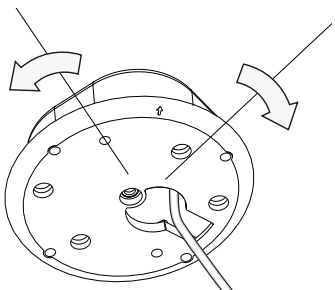
Install the bracket with the arrow mark pointing toward the shooting direction you prefer. If installed high on the wall, the arrow mark should be pointing down.



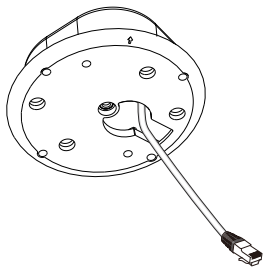
If the junction box became deformed during the construction process, you can detach the rotation plate and install the bracket separately.



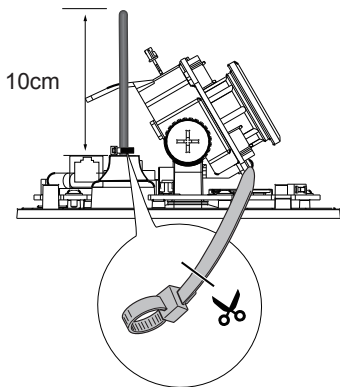
Note that you can still adjust the shooting direction by 90 degrees by turning the rotation plate.



3. Route cables through the cabling hole.

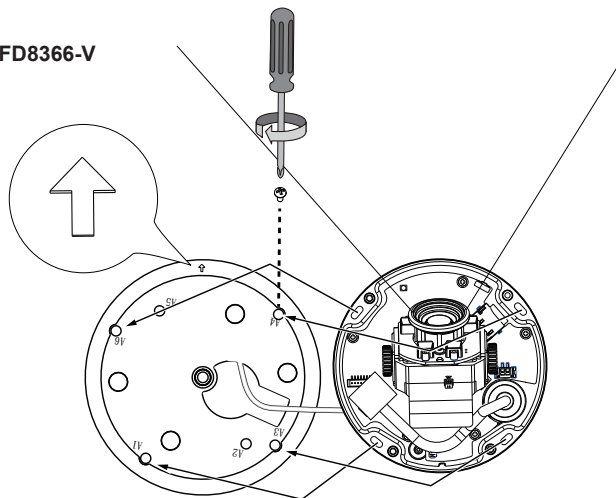


4. Pass cables through the waterproof rubber seal and complete all cabling requirements as documented in the camera QIG.

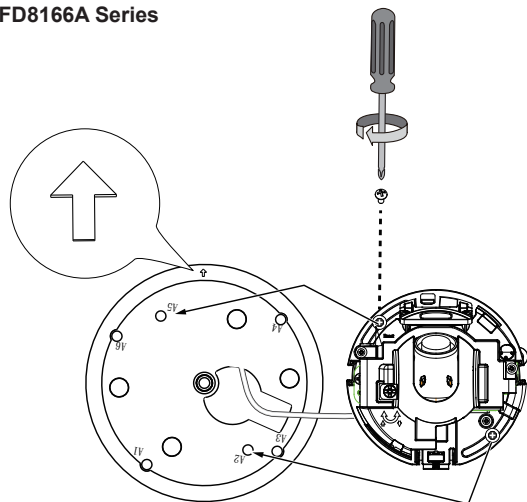


5. Align the camera's shooting direction with the arrow mark, and you can find and match the mounting holes. Tighten the screws to install camera.

### FD8366-V



### FD8166A Series



6. Tune and focus, and refer to the documentation that came with your cameras for the rest of configuration details. Install the dome cover.

