

P/N: 62503600G



Warning Before Installation / Warnung vor der Installation / Waarschuwing voor installatie

- Power off the Network Camera as soon as smoke or unusual odors are detected.
 - Netzwerkamera bei Rauchentwicklung oder ungewöhnlichem Geruch sofort abschalten.
 - Schakel de Netwerk Camera uit zodra u rook of ongebruikelijke geuren waarneemt.
- Do not place the Network Camera on unsteady surfaces.
 - Netzwerkamera nur auf feste Unterlagen abstellen.
 - Plaats de Netwerk Camera niet op een instabiel oppervlak.
- Do not insert sharp or tiny objects into the Network Camera.
 - Keine Fremdkörper, z. B. Nadeln, in die Netzwerkamera einführen.
 - Steek geen scherpe of zeer kleine objecten in de Netwerk Camera.
- Replacing or failing to properly install the waterproof components, e.g., cables or cable glands, will void our IP65/66/67 warranty.
 - Ein Austausch oder die unsachgemäße Installation der wasserdichten Komponenten, z.B. Kabel oder Kabelverschraubungen, führt zum Verlust unserer IP65/66/67 Garantie.
 - Als de waterdichte componenten, zoals kabels of kabelwartels, niet correct worden geplaatst of vervangen, is de garantie van de IP65/66/67 ongeldig.
- Refer to your user's manual for the operating temperature.
 - Hinweise zur Betriebstemperatur siehe Benutzeranleitung.
 - Zie de gebruikershandleiding voor informatie over de gebruikstemperatuur.
- Do not touch the Network Camera during a lightning storm.
 - Netzwerkamera bei Gewittern nicht anfassen.
 - Raak de Netwerk Camera niet aan tijdens onweer.
- Do not drop the Network Camera.
 - Netzwerkamera nicht fallen lassen.
 - Laat de Netwerk Camera niet vallen.



Avertissement avant installation / Aviso antes da instalação / Advertencia antes de la instalación

- Éteignez rapidement la caméra réseau si elle dégage de la fumée ou une odeur inhabituelle.
 - Desligue a Câmara de Rede se vir fumo ou sentir cheiros estranhos.
 - Apague la cámara de red si aparece humo o algún olor no habitual.
- Ne disposez pas la caméra réseau sur des surfaces instables.
 - Não coloque a Câmara de Rede em superfícies instáveis.
 - No coloque la cámara de red sobre superficies que no sean firmes.
- N'insérez pas d'objet dans la caméra réseau (p. ex. des aiguilles).
 - Não introduza nenhum objecto dentro da Câmara de Rede, como agulhas.
 - No inserte ningún objeto en la cámara de red, como agujas.
- Remplacer ou installer incorrectement les composants étanches, par exemple les câbles ou des presse-étoupes, annulera la garantie de votre IP65/66/67.
 - Substituição ou falha ao instalar corretamente os componentes impermeáveis, por exemplo, cabos os receptáculos de cabos, anularão nossa garantia IP65/66/67.
 - La sustitución o la incorrecta instalación de los componentes impermeables, como los cables o los prensa-cables, invalidarán la garantía de su IP65/66/67.
- Consultez le guide d'utilisateur pour obtenir la température de fonctionnement.
 - Consulte o manual do utilizador para obter informações sobre a temperatura de funcionamento.
 - Consulte el manual del usuario para ver la temperatura de funcionamiento.
- Ne touchez pas à la caméra réseau lors d'un orage.
 - Não toque na Câmara de Rede quando houver trovoadas.
 - No toque la cámara de red si hubiera tormentas.
- Ne laissez pas tomber la caméra réseau.
 - Não deixe cair a Câmara de Rede.
 - No deje caer la cámara de red.

Package Contents / Packungsinhalt kontrollieren / Inhoud van de verpakking

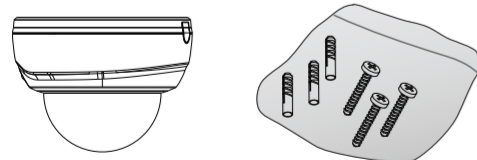
検査包装内容物 / 検査包装内容 / パッケージ内容の確認

Vérifier le contenu de l'emballage / Verifi que o conteúdo da embalagem / Compruebe el contenido del embalaje

Sprawdź zawartość pakietu / Проверка комплекта поставки / Obsah balení

Verifi care il contenuto della confezione / Ambalajın İçindekileri Kontrol Edin /

Paketinnehåll / Kassens indhold / Isi Kemasan مكونات الحزمة



1



安裝前應注意事項 / 安裝警告 / インストール前の注意

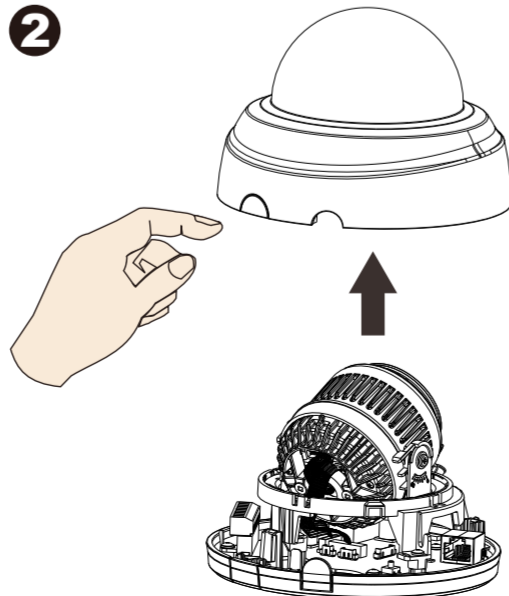
- 如果發現網路攝影機出現煙霧或聞到異味時，請立即關閉電源。
 - 如果网络摄像头冒烟或有异常气味，请立即关闭。
 - 煙や異常なおいにおいが付いたら、直ちにネットワークカメラの電源を切ってください。
- 請勿將網路攝影機擺放在不穩定的物體上。
 - 切勿將网络摄像头放置在不穩定的表面上。
 - 不安定な場所にネットワークカメラを置かないでください。
- 請勿將任何物件插入網路攝影機，例如細針。
 - 切勿在 network 摄像头中插入任何物体，如針狀物等。
 - ネットワークカメラに針のような物を差し込まないでください。
- 如果更換或是沒有正確安裝防水元件（例如纜線或纜線固定頭），將使本公司 IP65/66/67 的保固失效。
 - 如果替換了防水部件，或者防水部件安裝不正確，如電纜或電纜密封套等，相關 IP65/66/67 項質保將會失效。
 - ケーブルまたはケーブルグランドなどの防水部品を置き替えるか、または適切にインストールすることができない場合、当社の IP65/66/67 の保証は無効になります。
- 有關操作時的溫度，請參閱使用者說明書。
 - 工作溫度請參考用戶手冊。
 - 使用溫度については、ユーザーマニュアルを参照してください。
- 閃電時，請勿碰觸網路攝影機。
 - 閃電時不要接觸 network 摄像头。
 - 雷が鳴っている時は、ネットワークカメラに触れないでください。
- 請勿讓網路攝影機掉落地面。
 - 切勿使 network 摄像头墜落。
 - ネットワークカメラを落とさないでください。



Avvertenza prima dell'installazione / Kurulum Öncesi Uyarılar / Varning innan installation

- Spegnerne immediatamente la videocamera di rete se questa presenta fumo o un odore insolito.
 - Ağ Kamerasından duman çıktığı görülür veya normal olmayan bir koku duyulursa Ağ Kamerasının elektrik bağlantısını kesin.
 - Stäng av strömmen till nätverkskameran om det skulle ryka om den eller lukta konstigt.
- Non collocare la videocamera di rete su superfici instabili.
 - Ağ Kamerasını dengersiz yüzeylere koymayın.
 - Placera inte nätverkskameran på ostadiga ytor.
- Non inserire alcun oggetto nella videocamera di rete.
 - Ağ Kamerasına herhangi bir nesne (örneğin, iğne) sokmayın.
 - Sätt inte in några föremål i nätverkskameran såsom t.ex. nålar.
- La sostituzione o l'installazione non corretta di componenti a tenuta stagna, ad esempio cavi o premistoppa, determineranno l'annullamento della garanzia IP65/66/67.
 - Kablo veya kablo rakoru gibi su geçirmez parçaların değiştirilmesi veya uygun şekilde monte edilmemesi IP65/66/67 garantimizi geçersiz kılacaktır.
 - Att byta eller felagtigt montera vattentäta komponenter såsom kablar eller kabelgenomföringar kommer att göra förverka vår IP65/66/67-garanti.
- Consultare il manuale dell'utente per le temperature di esercizio.
 - Çalıştırma sıcaklığı için kullanım kılavuzuna başvurun.
 - Se din användarmanual för drifttemperatur.
- Non toccare la videocamera di rete durante i temporali.
 - Şimşek çakarken Ağ Kamerasına dokunmayın.
 - Rör inte nätverkskameran när den åskar.
- Non far cadere la videocamera di rete.
 - Ağ Kamerasını düşürmeyin.
 - Tappa inte nätverkskameran.

2



Avertissement avant installation / Aviso antes da instalação / Advertencia antes de la instalación

- Éteignez rapidement la caméra réseau si elle dégage de la fumée ou une odeur inhabituelle.
 - Desligue a Câmara de Rede se vir fumo ou sentir cheiros estranhos.
 - Apague la cámara de red si aparece humo o algún olor no habitual.
- Ne disposez pas la caméra réseau sur des surfaces instables.
 - Não coloque a Câmara de Rede em superfícies instáveis.
 - No coloque la cámara de red sobre superficies que no sean firmes.
- N'insérez pas d'objet dans la caméra réseau (p. ex. des aiguilles).
 - Não introduza nenhum objecto dentro da Câmara de Rede, como agulhas.
 - No inserte ningún objeto en la cámara de red, como agujas.
- Remplacer ou installer incorrectement les composants étanches, par exemple les câbles ou des presse-étoupes, annulera la garantie de votre IP65/66/67.
 - Substituição ou falha ao instalar corretamente os componentes impermeáveis, por exemplo, cabos os receptáculos de cabos, anularão nossa garantia IP65/66/67.
- Consultez le guide d'utilisateur pour obtenir la température de fonctionnement.
 - Consulte o manual do utilizador para obter informações sobre a temperatura de funcionamento.
 - Consulte el manual del usuario para ver la temperatura de funcionamiento.
- Ne touchez pas à la caméra réseau lors d'un orage.
 - Não toque na Câmara de Rede quando houver trovoadas.
 - No toque la cámara de red si hubiera tormentas.
- Ne laissez pas tomber la caméra réseau.
 - Não deixe cair a Câmara de Rede.
 - No deje caer la cámara de red.

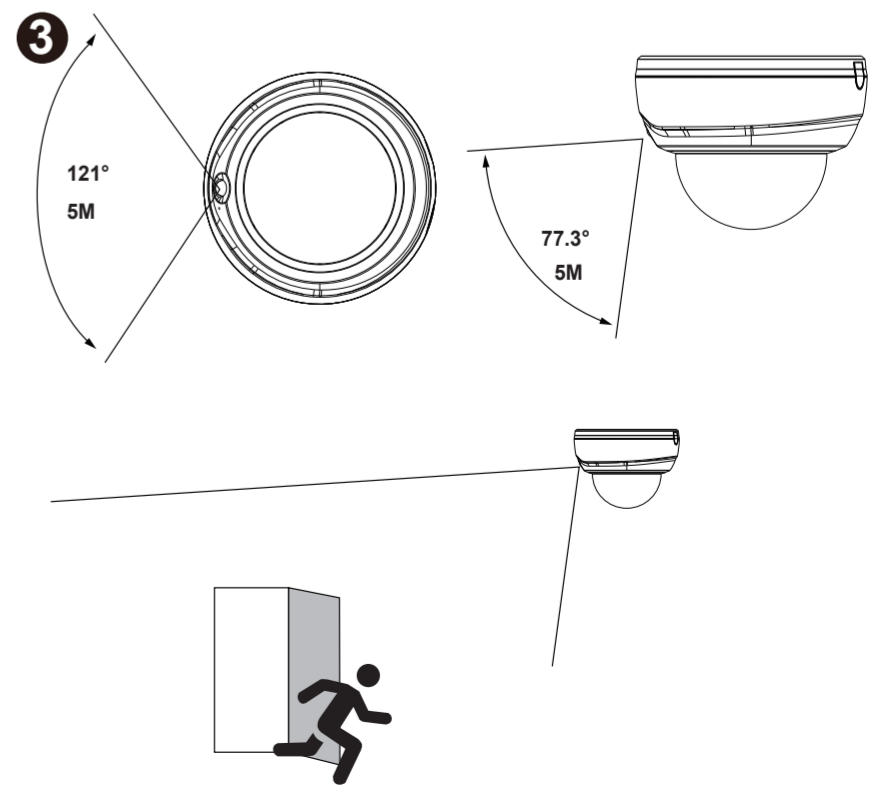


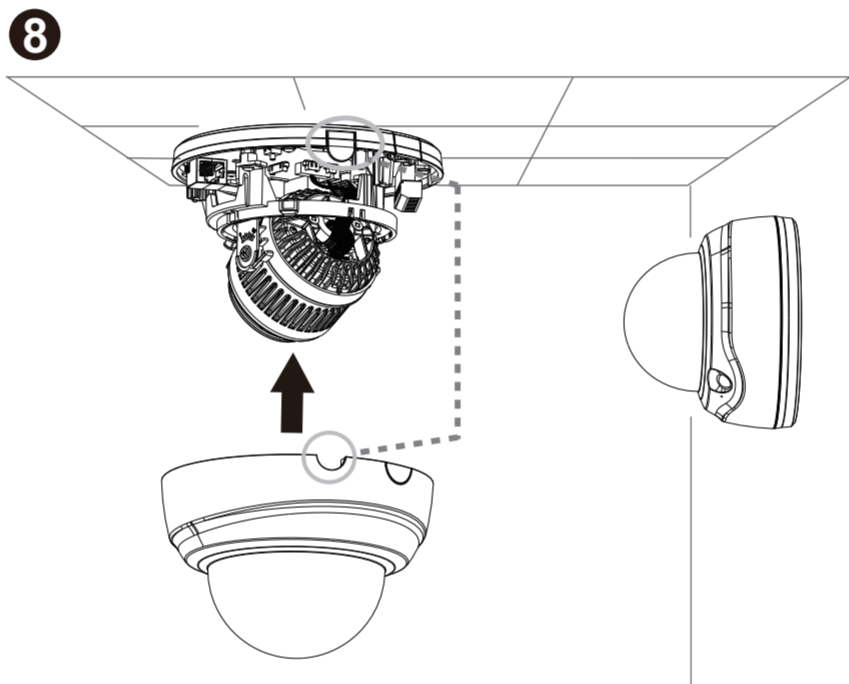
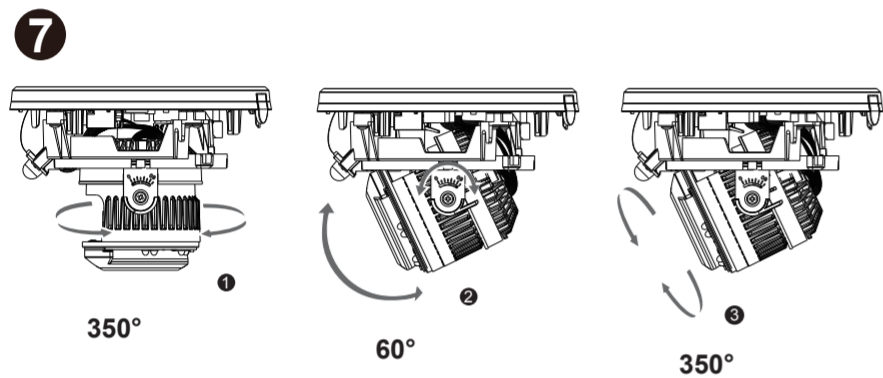
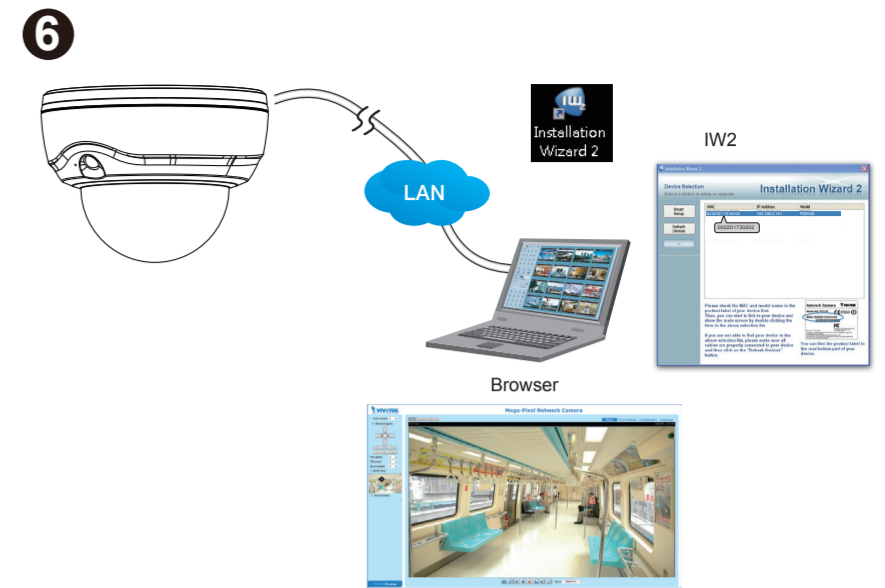
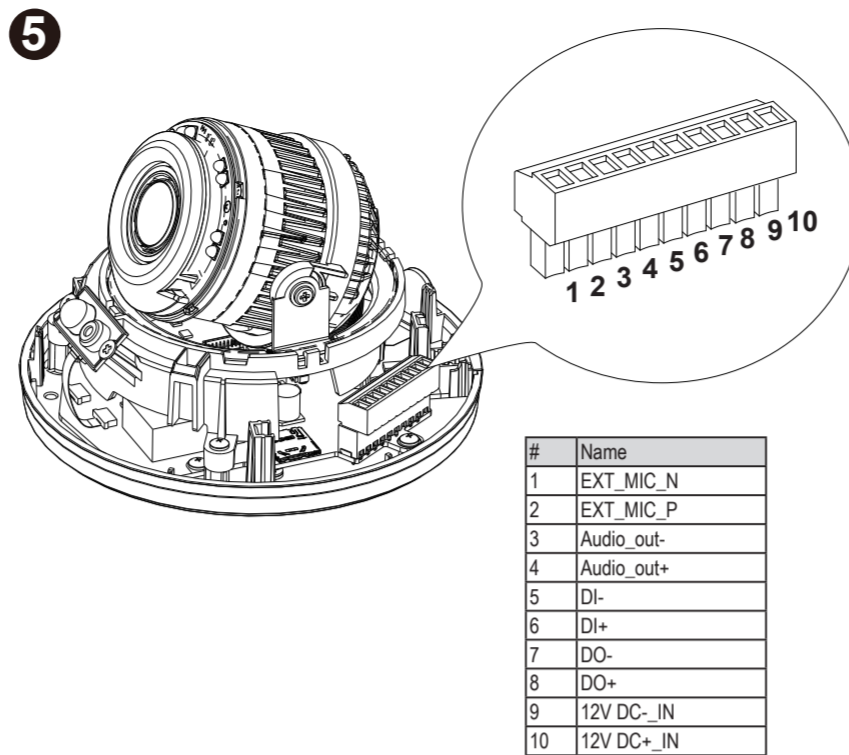
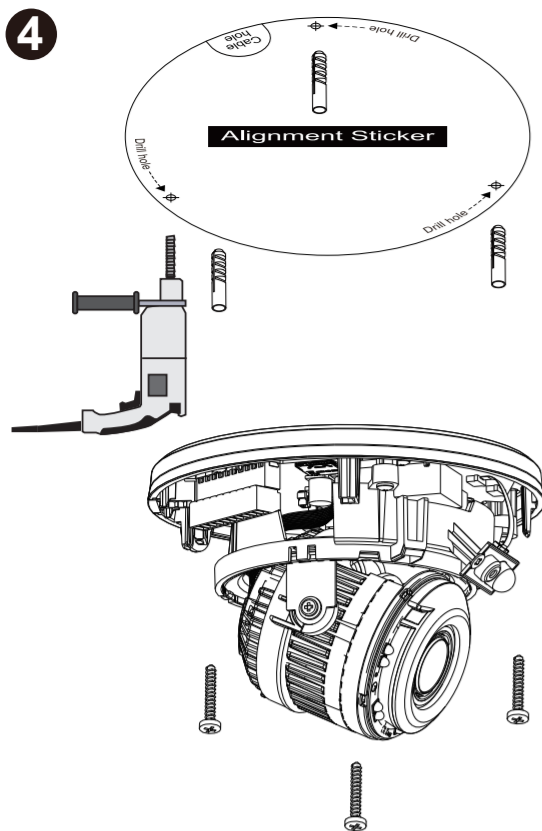
Advarsel inden installation / Peringatan Sebelum Pemasangan

- Slå strømmen fra kameraet så snart der kan lugtes røg eller usædvanlige lugte.
 - Segera matikan Network Camera jika keluar asap atau tercium bau yang aneh.
- Placér ikke netværkskameraet på ustabile underlag.
 - Jangan meletakkan Network Camera pada permukaan yang tidak stabil.
- Indfør ikke skarpe eller små objekter i netværkskameraet.
 - Baca panduan pengguna untuk suhu pengoperasian.
- Udsiftning eller fejlagtig installation af de vandtætte komponenter, fx kabler eller kabelpakninger, vil sætte garantien for din IP65/66/67 ud af kraft.
 - Penggantian atau kesalahan pemasangan komponen kedap air, misalnya kabel atau selubung kabel, akan membatalkan garansi IP65/66/67.
- Der henvises til brugervejledningen for driftstemperaturen.
 - Jangan memasukkan benda tajam atau benda berukuran kecil ke dalam Network Camera.
- Berør ikke netværkskameraet i tordenvejr.
 - Jangan menyentuh Network Camera saat terjadi badai kilat.
- Tab ikke netværkskameraet.
 - Jangan menjatuhkan Network Camera.

تعليمات قبل التركيب

- لم يقبل التيار الكهربائي عن Network Camera فوراً بمجرد ظهور الدخان أو البعث الرائحة عريبة منها.
- لا تضع كاميرا الشبكة على أسطح غير ثابتة.
- لا تلمس بحذاء أية اجسام في Network Camera، على سبيل المثال الإبر.
- سعودي استبدال أو الخلق في تثبيت المكونات المشددة لتدءاء جيداً، مثل الكابلات أو وصلات احكام الثليل، في ابطح حل الضمان IP65/66/67.
- اتصل بالموزع الخاص بك عند حدوث مثل هذه الأشياء.
- تجنب لمس Network Camera حل حدوث البرق.
- لا تدع Network Camera تسقط على الأرض.





FD816BA-HF2

HARDWARE LIMITED WARRANTY

What Is Covered: This warranty covers any hardware defects in materials or workmanship, with the exceptions stated below.

How Long Coverage Lasts: This warranty lasts for TWENTY-FOUR MONTHS from the date of purchase by the original end-user customer.

What Is Not Covered: This warranty does not cover cosmetic damage or any other damage or defect caused by abuse, misuse, neglect, use in violation of instructions, repair by an unauthorized third party, or an act of God. Also, if serial numbers have been altered, defaced, or removed. Further, consequential and incidental damages are not recoverable under this warranty.

What VIVOTEK Will Do: VIVOTEK will, in our sole discretion, repair or replace any product that proves to be defective in material or workmanship. Any repair or replaced part of the product will receive a THREE-MONTH warranty extension.

How To Get Service: Contact our authorized distributors in your region. Please check our website (www.vivotek.com) for the information of an authorized distributor near you.

Your Rights: SOME STATES DO NOT ALLOW EXCLUSION OR LIMITATION OF CONSEQUENTIAL OR INCIDENTAL DAMAGES, SO THE ABOVE EXCLUSION OR LIMITATION MAY NOT APPLY TO YOU. THIS WARRANTY GIVES YOU SPECIFIC LEGAL RIGHTS, AND YOU MAY ALSO HAVE OTHER RIGHTS WHICH VARY FROM STATE TO STATE.

VIVOTEK INC.
6F, No. 192, Lien-Cheng Rd., Chung-Ho,
Taipei County, Taiwan.
www.vivotek.com

1. Proof of the date of purchase is required. In the event you can not render such document, warranty will commence from the date of manufacture.

2. Cosmetic damage will only be covered by this warranty if such damage has been existed at the time of purchase.

FD816BA-HT

HARDWARE LIMITED WARRANTY

What Is Covered : This warranty covers any hardware defects in materials or workmanship, with the exceptions stated below.

How Long Coverage Lasts: This warranty lasts for THIRTY-SIX MONTHS from the date of purchase by the original end-user customer.

What Is Not Covered : This warranty does not cover cosmetic damage or any other damage or defect caused by abuse, misuse, neglect, use in violation of instructions, repair by an unauthorized third party, or an act of God. Also, if serial numbers have been altered, defaced, or removed. Further, consequential and incidental damages are not recoverable under this warranty.

What VIVOTEK Will Do: VIVOTEK will, in our sole discretion, repair or replace any product that proves to be defective in material or workmanship. Any repair or replaced part of the product will receive a THREE-MONTH warranty extension.

How To Get Service: Contact our authorized distributors in your region. Please check our website (www.vivotek.com) for the information of an authorized distributor near you.

Your Rights: SOME STATES DO NOT ALLOW EXCLUSION OR LIMITATION OF CONSEQUENTIAL OR INCIDENTAL DAMAGES, SO THE ABOVE EXCLUSION OR LIMITATION MAY NOT APPLY TO YOU. THIS WARRANTY GIVES YOU SPECIFIC LEGAL RIGHTS, AND YOU MAY ALSO HAVE OTHER RIGHTS WHICH VARY FROM STATE TO STATE.



VIVOTEK INC.
6F, No. 192, Lien-Cheng Rd., Chung-Ho,
Taipei County, Taiwan.
www.vivotek.com

1. Proof of the date of purchase is required. In the event you can not render such document, warranty will commence from the date of manufacture.

2. Cosmetic damage will only be covered by this warranty if such damage has been existed at the time of purchase.

All specifications are subject to change without notice.
Copyright © 2016 VIVOTEK INC. All rights reserved.

VIVOTEK INC.
6F, No. 192, Lien-Cheng Rd., Chung-Ho, New Taipei City, 235, Taiwan, R.O.C.
T: +886-2-82455282 | F: +886-2-82455532 | E: sales@vivotek.com

VIVOTEK USA, INC.
2050 Ringwood Avenue, San Jose, CA 95131
T: 408-773-8686 | F: 408-773-8298 | E: salesusa@vivotek.com

VIVOTEK Europe
Randstad 22-133, 1316BW Almere, The Netherlands
T: +31(0)36-5298-434 E: sales@vivotek.com