

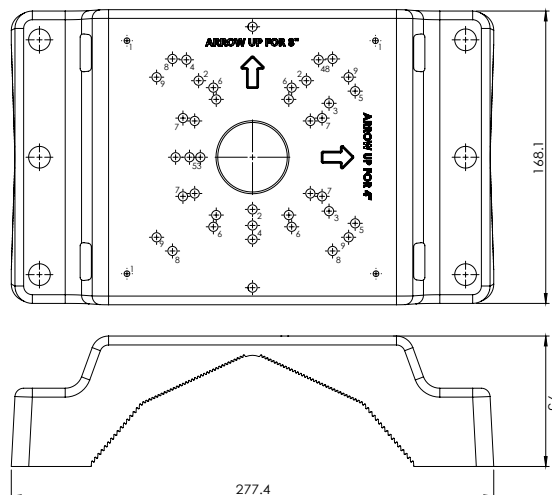
# AM-313

## Pole Mount Bracket



### Technical Specifications

Model	AM-313
Supported Models	Enclosure: AE-236, AE-237, AE-241, AE-242 Bullet: IP8355H, IP8355EH, IP8365H, IP8365EH, IP8371, IP8371E, IB8373-EH, IP8372, IB8381, IB8381-E Junction Box: AM-717
Construction	Die Cast Al-alloy Material
Dimensions	277.4 (L) x 75 (W) x 168.1 (H) mm
Suitable for pole diameter	70 mm to 120 mm & 120 mm to 230 mm
Color	White
Max Load.	30 kg
Weight	2.4 kg
Box Dimension	93 (L) x 56 (W) x 52 (H) mm
Carton Dimension	121 (L) x 121 (W) x 112 (H) mm (4 pcs)
Carton Weight	11 kg



Unit: mm