

Installation Guide

Revision History:

Rev. 1.0: Initial release

Corresponding part numbers:

AM-711: 900005100G
 AM-311: 900002902G (v03)
 900002903G (v04)
 AM-411: 900003003G (v04)
 900003004G (v05)

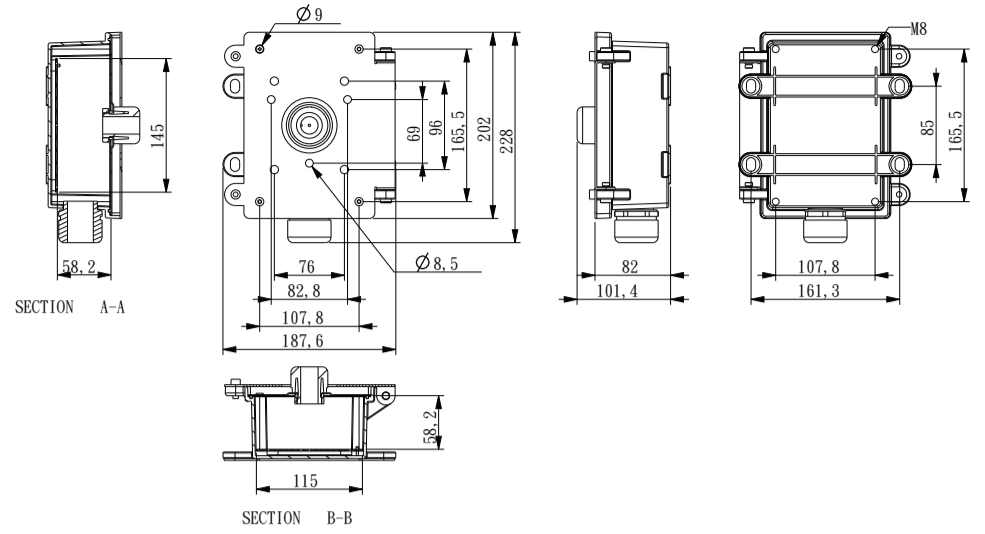
AM-221: 900014800G
 AM-212: 900004202G

I Compatible VIVOTEK Cameras

Type	Compatible cameras/brackets	Brackets
A	AM-212/221, SD8363E, SD8364E, SD83x4E, SD83x6E, SD8333E, w/ AM-519 (900014900G)	AM-311/411
B	AE2000/ AE234/ 235/ 211/ 232/ 233	AM-311/411
C	Medium Bullet, see AM-311/411 documents for compatibility.	AM-311/411
D	Large Bullet, see AM-311/411 documents for compatibility.	AM-311/411

II Mechanical Drawings

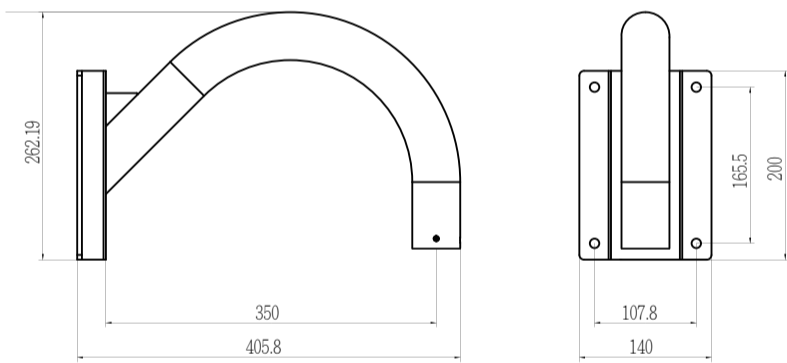
AM-711 Junction Box



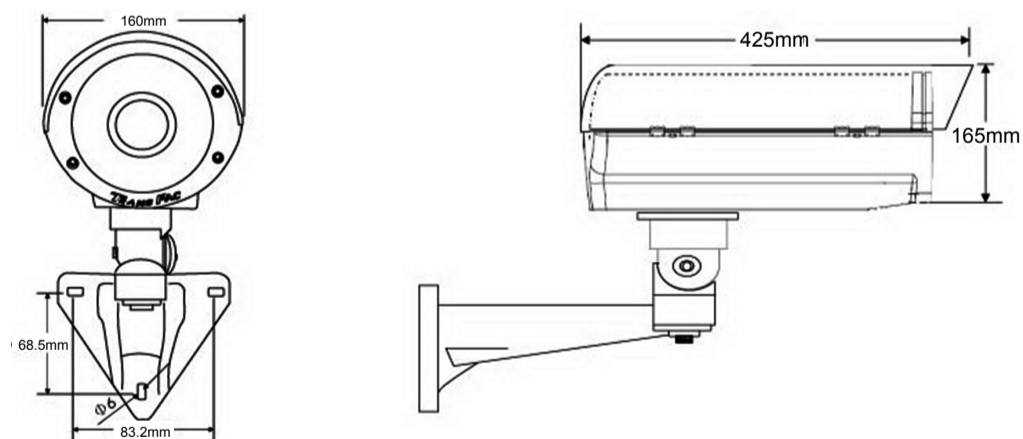
Package Contents

Items	
	1. Junction box 2. Screw set 1 for box type housing 3. Hex wrench 4. Screw set 2 for dome type housing
Box Net Weight	2 kgs
Box Gross Weight	2.3 kgs
Box Dimensions	235 x 244 x 145mm

AM-221 Gooseneck



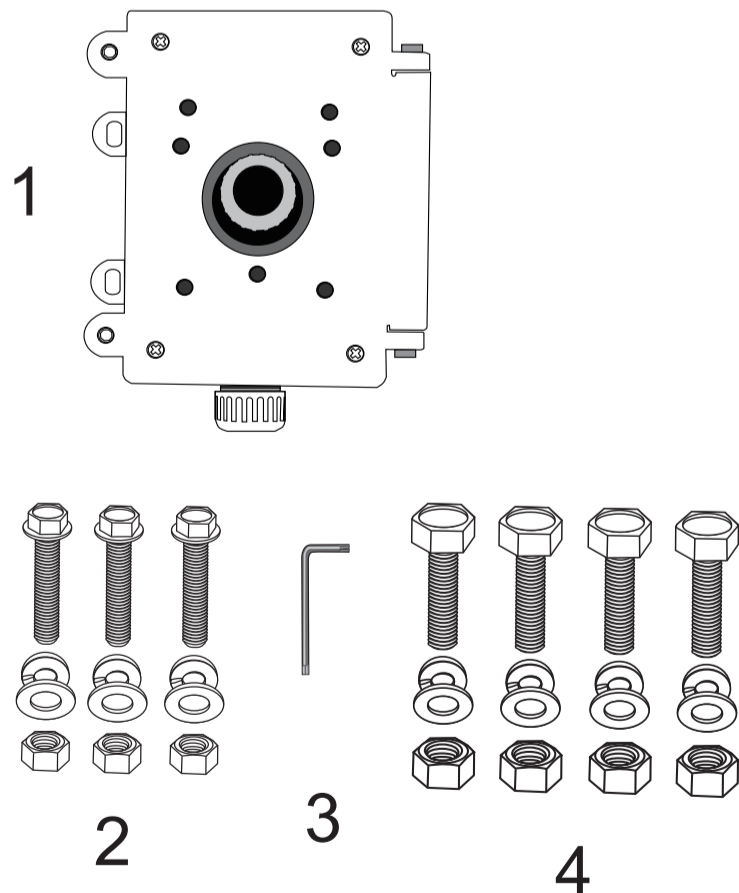
AE20xx Series Enclosure



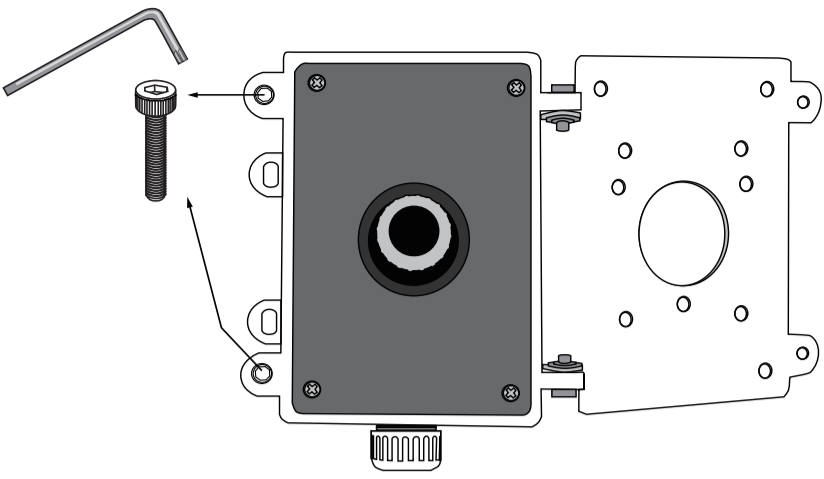
III Installation

AM-711 Junction Box Installation

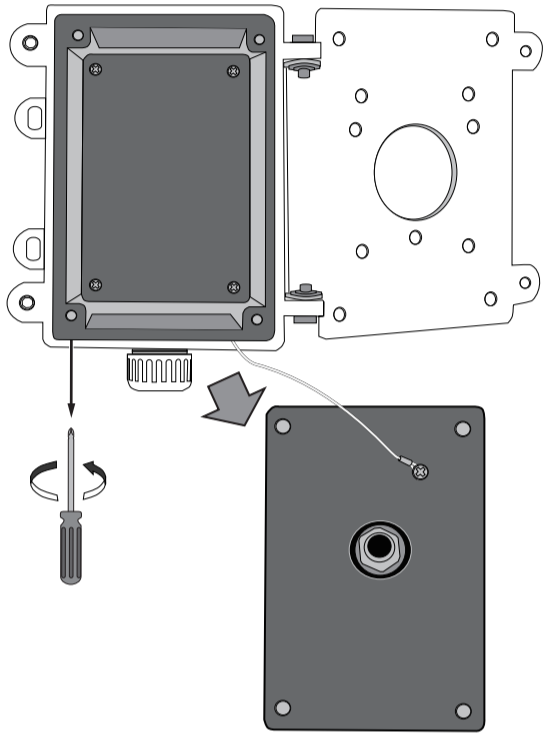
A 3/4" conduit is required for the waterproof connector in the center, and another 1-inch conduit should be fitted to the bottom connector.



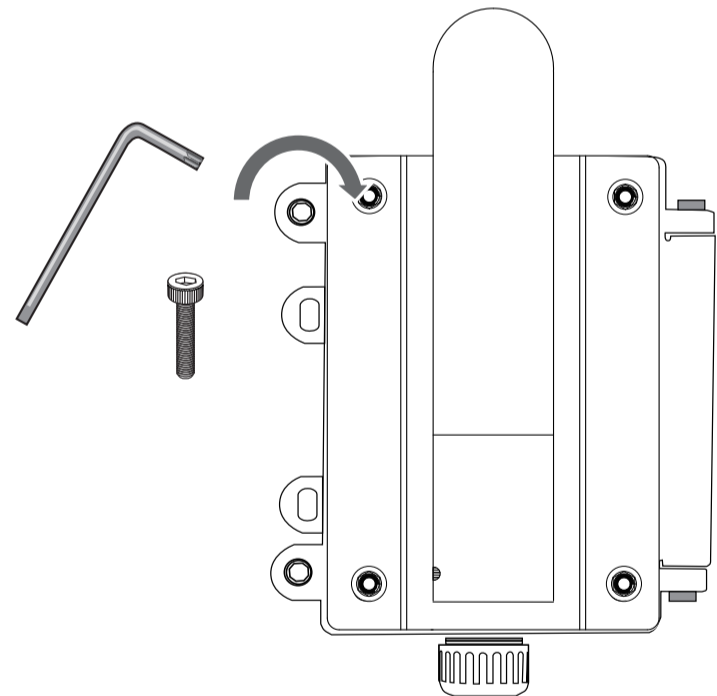
1. Use the included hex wrench to remove the socket head cap screws, and then open the front panel.



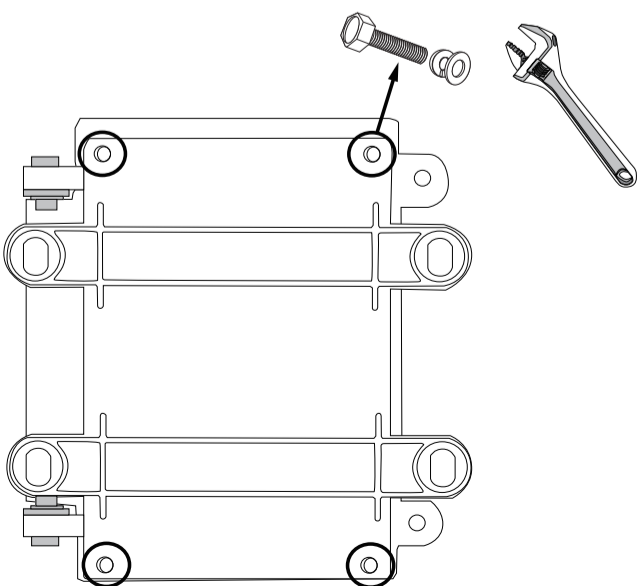
2. Use a Phillips screwdriver to loosen and remove the middle plate in the junction box. Feed cables and install accessories, such as power adaptors and PoE injectors, through the box and the waterproof connectors on the box.



4. Use the included hex wrench to fasten the socket head screws for the front door.



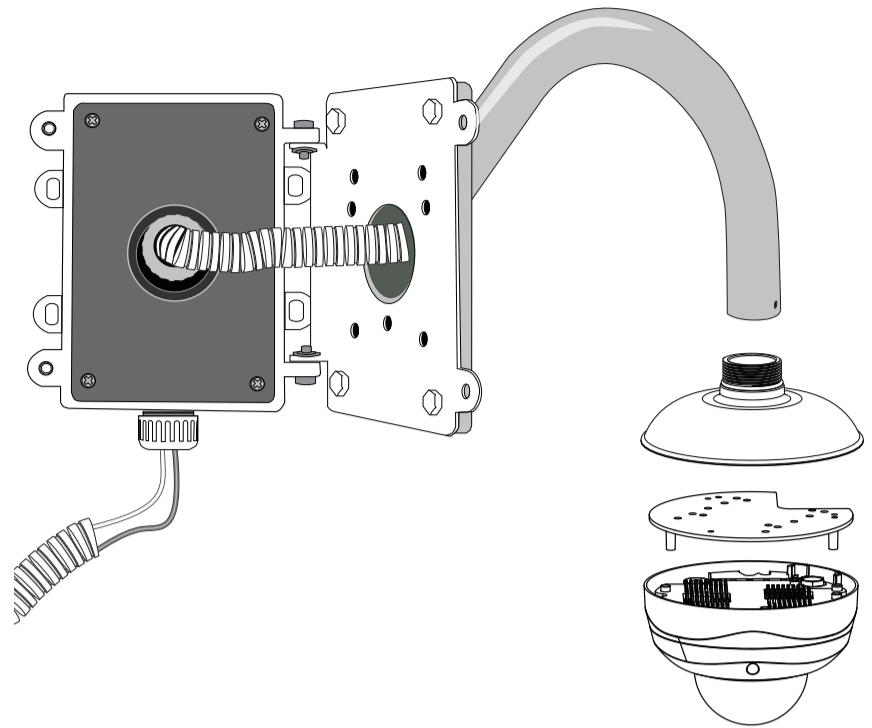
5. Use the 4 mounting holes on the back of the junction box to attach to a pole mount or a corner mount bracket. See previous discussions for details.



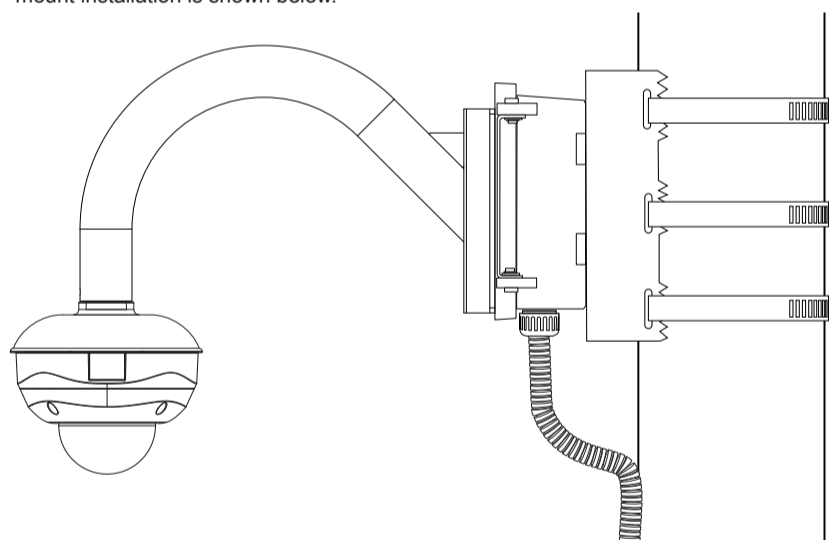
3. Use the included hex head bolts to secure a gooseneck bracket to the junction box.

4. cables should have been connected and routed through the waterproof connectors. Cable conduits should also be properly installed for waterproofness.

Please refer to the AM-518/51A Installation Guide for other options.



6. You can then attach the junction box, along with the camera, to a pole-mount or corner-mount position. A pole-mount installation is shown below.



You may also mount the junction box directly to a wall. The mounting holes on the right hand side is accessible when the front door is opened, and the anchors and screws are user-supplied. .

