



Datenblatt - Fiche technique - Data sheet

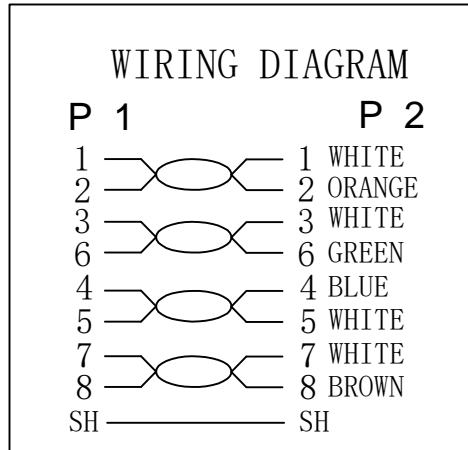
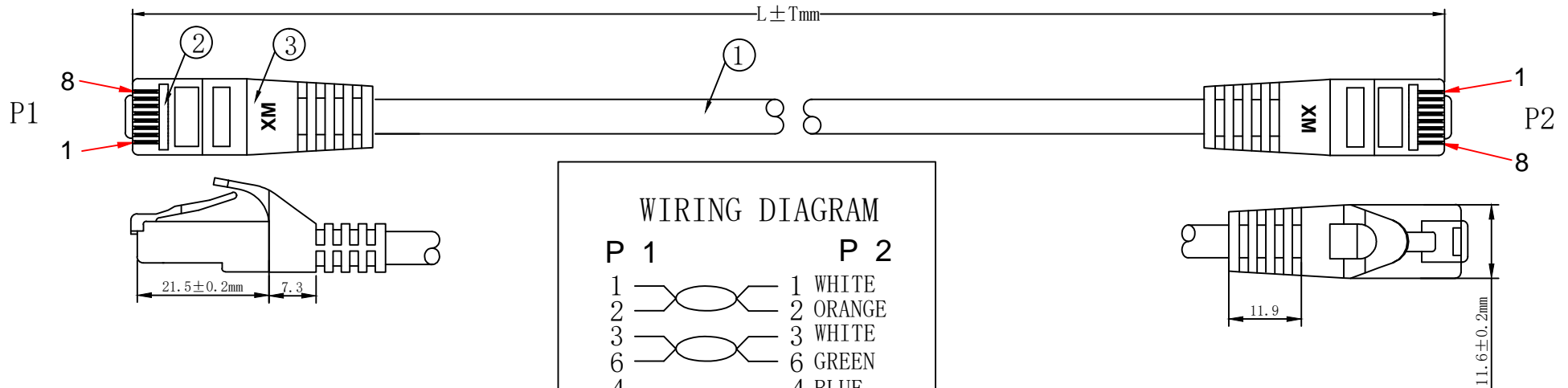
21.15.2978



ROLINE Patchkabel Kat.6A S/FTP (PiMF), Comp. Level, LSOH, braun, 0,3 m

Cordon ROLINE S/FTP(PiMF) Cat.6A / 10 Gigabit, LSOH, Component Level,
brun, 0,3 m

ROLINE S/FTP Patch Cord Cat.6A, Component Level, LSOH, brown, 0.3 m



1. ELECTRICAL TEST:

- (1).100% OPEN SHORT & MISS WIRE TEST;
- (2).INSULATION RESISTANCE:DC 250V 20M OHM MIN;
- (3).CONTACTOR RESISTANCE:30 OHM MAX

2.PRINTING:GHMT® roline CAT.6A S/FTP COMPONENT PATCH CORD LSZH 500MHZ ISO/IEC 11801 & EN 50173-1 & ANSI/TIA-568-C.2

3.100% Component Patch cord Test PASS

4.Minimum bending radius:60mm

MATERIAL LIST

⑥	LABEL	NO DRY GLUE LABEL	1PCS	
⑤	MINI TIE	PE MINI TIE(POSSESS METAL)	2PCS	
④	POLYETHYLENE BAG	POLYETHYLENE BAG	1PCS	
③	OVER MOLD	88A PVC Brown	2PCS	
②	CONNECTOR	RJ45 8P8C'S SHIELDED PIN GOLD PLATED 3u", SHELL PLATED NICKEL Transparent Blue	2PCS	
①	CABLE	S/FTP CAT.6A 26AWG (BC*1P+AL-FOIL)*4P+BRAID CABLE JACKET LSOH OD=6.2±0.2MM	1PCS	
NO.	PARTS NAME	SPECIFICATION STANDARD	QT' Y	REMARK

COLOUR:Brown (PANTONE:463C)

ITEM NO.	LENGTH (L)	TOLERANCE (T)
21. 15. 2978	300mm	± 10mm
21. 15. 2880	500mm	± 15mm
21. 15. 2881	1000mm	± 30mm
21. 15. 2884	1500mm	± 45mm
21. 15. 2882	2000mm	± 60mm
21. 15. 2883	3000mm	± 90mm
21. 15. 2885	5000mm	± 150mm
21. 15. 2886	7500mm	± 210mm
21. 15. 2887	10000mm	± 300mm
21. 15. 2888	15000mm	± 450mm
21. 15. 2889	20000mm	± 600mm

ITEM NO.	21. 15. 2978	21. 15. 2880	21. 15. 2881	21. 15. 2882	21. 15. 2883
21. 15. 2884	21. 15. 2885	21. 15. 2886	21. 15. 2887	21. 15. 2888	21. 15. 2889
DESC.	ROLINE S/FTP PatchCord CAT. 6A, LSOH, Comp. Level1, Brown				

SECOMP

BY	CHK	NEW REVISION RECORD MODIFICATIONS	2016-09-13	A
			DATE	REV.