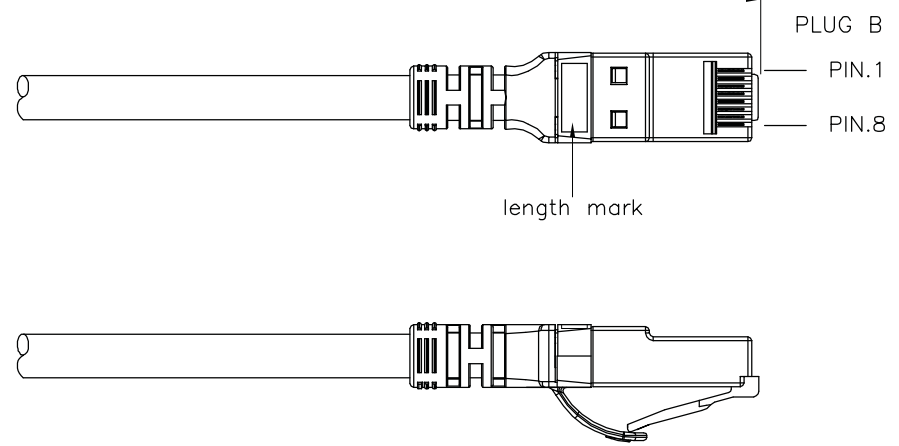
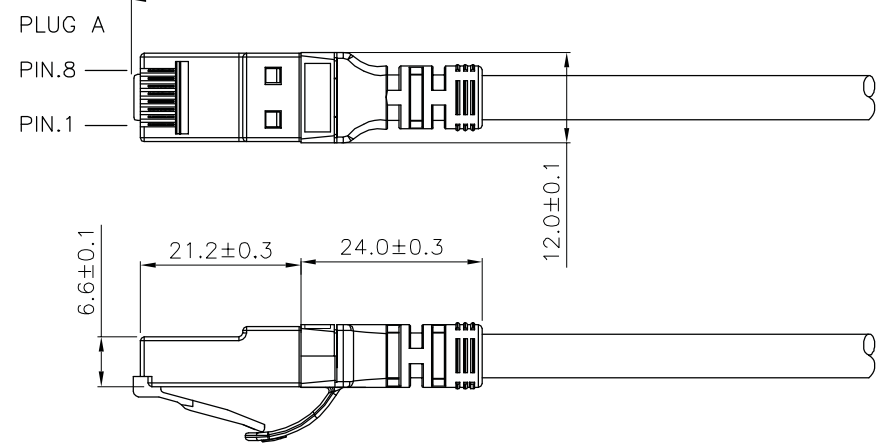
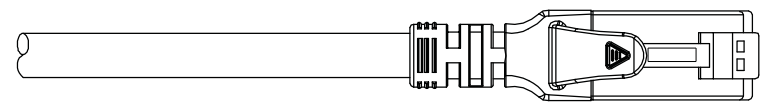
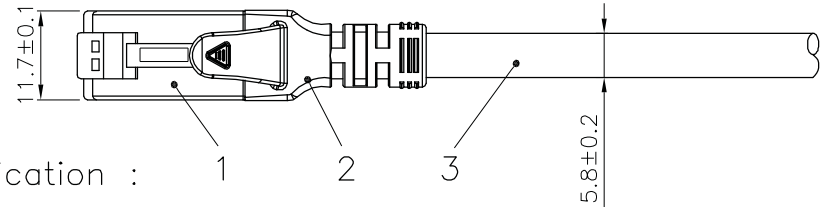


1 2 3 4 5 6

length±xxmm



roline U/UTP PATCH CABLE 24AWG 4PR ANSI/TIA 568C.2 CAT.6 ETL Verified LSOH XXXXXX-X



- (1)Jacket Color:White (RAL9003)
- (2)Wiring:T568B

item no.	length	tolerance
21.15.2060	0.5M	+20 -0
21.15.2061	1M	+20 -0
21.15.2062	2M	+20 -10
21.15.2063	3M	+20 -10
21.15.2065	5M	+30 -20
21.15.2066	7M	+30 -20
21.15.2067	10M	+30 -20
21.15.2068	15M	+30 -20
21.15.2069	20M	+70 -30

Specification :

- Material :
- RJ45 Plug : (JE P/N : PUA8850)
 - Housing : Polycarbonate, UL 94V-2, Transparent color
 - Contact material : Phosphor Bronze with 50-60 micro-inch Nickel plated
 - Contact finished : Min. 50 micro-inch Gold plated
 - SR: PP-PP3015 Boot with nose
 - Cable :
 - Jacket : LSOH
 - Conductor : 24 AWG stranded copper
 - Isolation : PE
 - Isolation Cross Bar for 4 pairs : PE
 - Cable structure : U/UTP, 4 twisted pair with Cross Bar
 - Minimum Banding Radius: 50mm

item no	21.15.2060	21.15.2061	21.15.2062	21.15.2063	21.15.2065
	21.15.2066	21.15.2067	21.15.2068	21.15.2069	
Desc	ROLINE Cat 6 U/UTP Patch Cord,LSOH.Component Level,white				
"#": Matching DIM.	DRAWING	25.Aug.2015	byz		
"*": Important DIM.	CHECK	25.Aug.2015	Jane		
Others General DIM.	APPROVAL	25.Aug.2015	Jaimy		
GENERAL TOLERANCE OF DIMENSIONS		DATE	NAME		
X.XXX ±0.005	SCALE	1/1 (A4)	UNIT	mm	
X.XX ±0.05	DRAWING NO.				
X.X ±0.1	DRAWING CLASSIFICATION		S	SHEET	1 OF 1

No.	MODIFIED AREA	ORIGINAL	MODIFY	DATE	MODIFIER

1 2 3 4 5 6 10cm