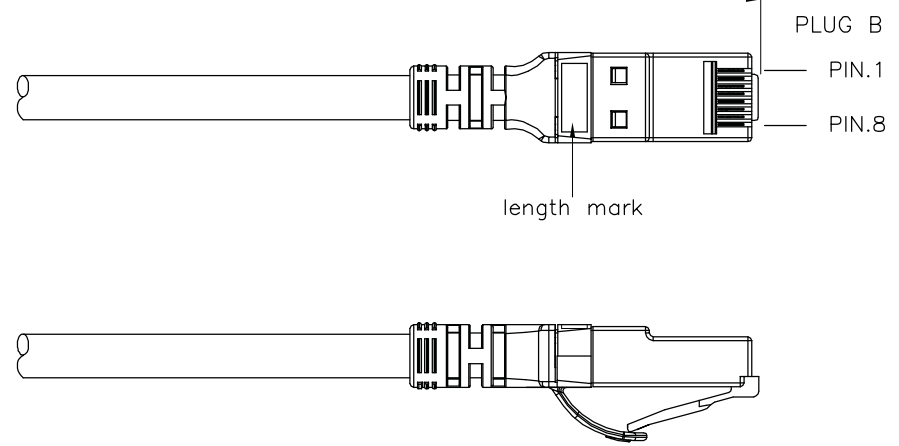
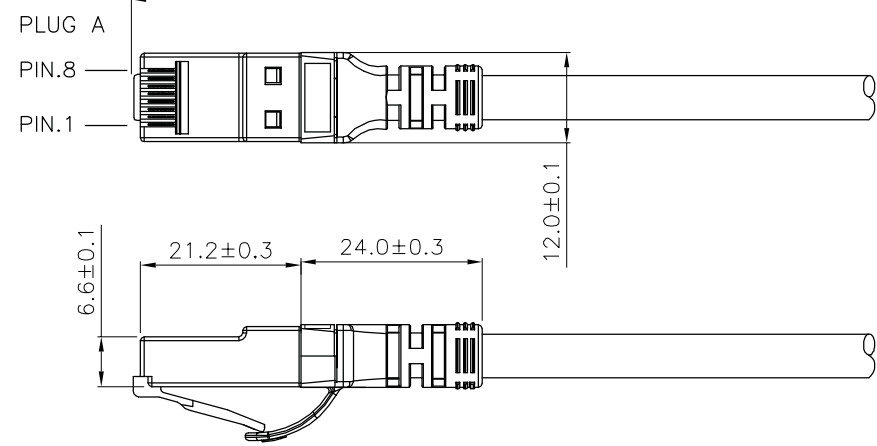
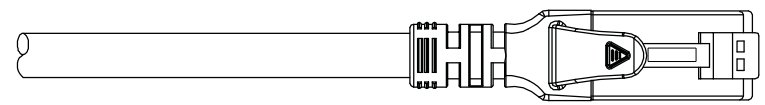
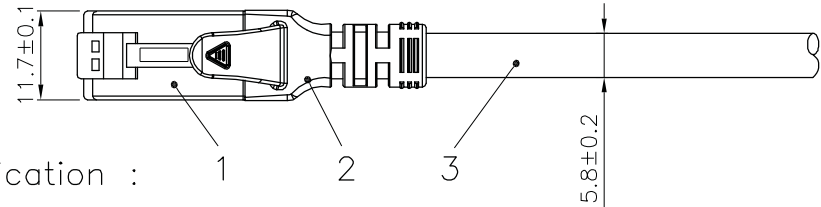


1 2 3 4 5 6

length±xxmm



roline U/UTP PATCH CABLE 24AWG 4PR ANSI/TIA 568C.2 CAT.6 ETL Verified LSOH XXXXXX-X



(1)Jacket Color:Green (RAL6029)  
(2)Wiring:T568B

item no.	length	tolerance
21.15.2030	0.5M	+20 -0
21.15.2031	1M	+20 -0
21.15.2032	2M	+20 -10
21.15.2033	3M	+20 -10
21.15.2035	5M	+30 -20
21.15.2036	7M	+30 -20
21.15.2037	10M	+30 -20
21.15.2038	15M	+30 -20
21.15.2039	20M	+70 -30

Specification :

- Material :
- RJ45 Plug : (JE P/N : PUA8850)
    - Housing : Polycarbonate, UL 94V-2, Transparent color
    - Contact material : Phosphor Bronze with 50-60 micro-inch Nickel plated
    - Contact finished : Min. 50 micro-inch Gold plated
  - SR: PP-PP3015 Boot with nose
  - Cable :
    - Jacket : LSOH
    - Conductor : 24 AWG stranded copper
    - Isolation : PE
    - Isolation Cross Bar for 4 pairs : PE
  - Cable structure : U/UTP, 4 twisted pair with Cross Bar
  - Minimum Banding Radius: 50mm

item no	21.15.2030	21.15.2031	21.15.2032	21.15.2033	21.15.2035
	21.15.2036	21.15.2037	21.15.2038	21.15.2039	
Desc	ROLINE Cat 6 U/UTP Patch Cord,LSOH.Component Level,green				
"#": Matching DIM.	DRAWING	25.Aug.2015	byz		
"*": Important DIM.	CHECK	25.Aug.2015	Jane		
Others General DIM.	APPROVAL	25.Aug.2015	Jaimy		
GENERAL TOLERANCE OF DIMENSIONS	DATE		NAME		
	SCALE	1/1 (A4)	UNIT	mm	
X.XXX ±0.005 X.XX ±0.05 X.X ±0.1	DRAWING NO.				
DRAWING CLASSIFICATION		S	SHEET	1 OF 1	



No.	MODIFIED AREA	ORIGINAL	MODIFY	DATE	MODIFIER

1 2 3 4 5 6 10cm