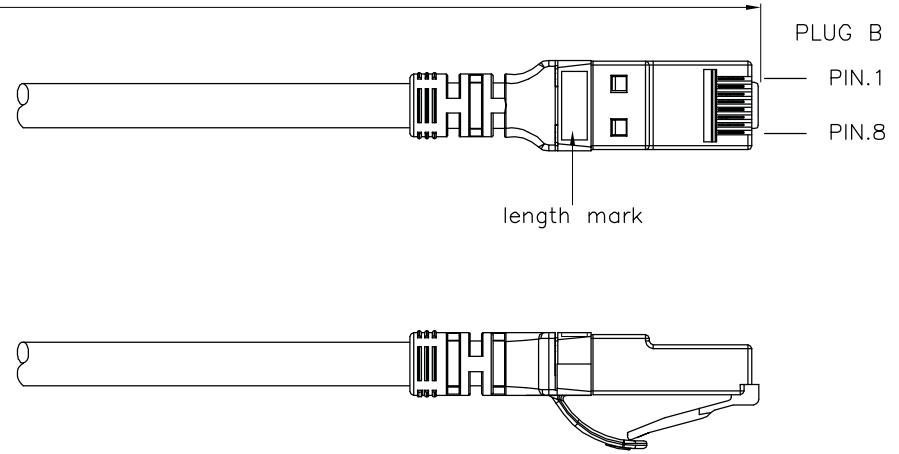
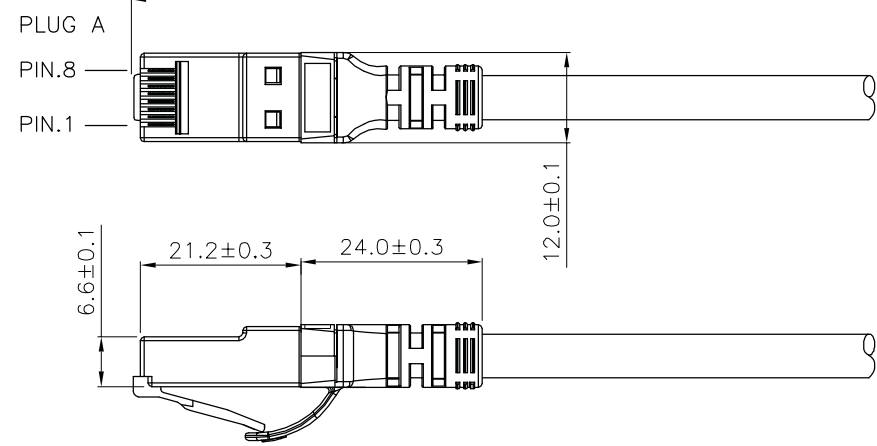
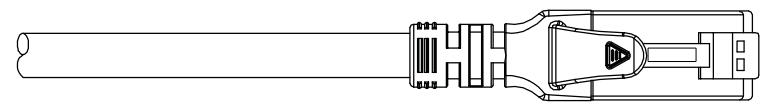
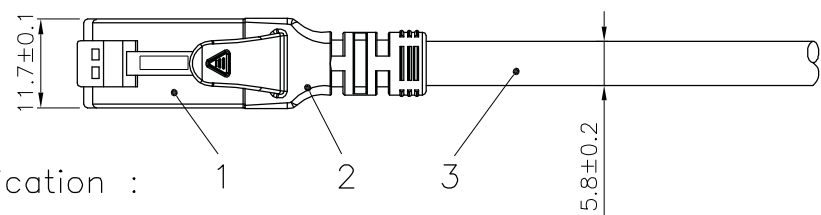


1 2 3 4 5 6

length±xxmm



roline U/UTP PATCH CABLE 24AWG 4PR ANSI/TIA 568C.2 CAT.6 ETL Verified LSOH XXXXXX-X



(1)Jacket Color:Gray(RAL7035)
(2)Wiring:T568B

| item no. | length | tolerance |
|------------|--------|------------|
| 21.15.2000 | 0.5M | +20 -0 |
| 21.15.2001 | 1M | +20 -0 |
| 21.15.2002 | 2M | +20 -10 |
| 21.15.2003 | 3M | +20 -10 |
| 21.15.2005 | 5M | +30 -20 |
| 21.15.2006 | 7M | +30 -20 |
| 21.15.2007 | 10M | +30 -20 |
| 21.15.2008 | 15M | +30 -20 |
| 21.15.2009 | 20M | +70 -30 |

Specification :

- Material :
- RJ45 Plug : (JE P/N : PUA8850)
 - Housing : Polycarbonate, UL 94V-2, Transparent color
 - Contact material : Phosphor Bronze with 50-60 micro-inch Nickel plated
 - Contact finished : Min. 50 micro-inch Gold plated
 - SR: PP-PP3015 Boot with nose
 - Cable :
 - Jacket : LSOH
 - Conductor : 24 AWG stranded copper
 - Isolation : PE
 - Isolation Cross Bar for 4 pairs : PE
 - Cable structure : U/UTP, 4 twisted pair with Cross Bar
 - Minimum Banding Radius: 50mm

| | | | | | |
|---------------------------------|---|-------------|------------|------------|------------|
| item no | 21.15.2000 | 21.15.2001 | 21.15.2002 | 21.15.2003 | 21.15.2005 |
| | 21.15.2006 | 21.15.2007 | 21.15.2008 | 21.15.2009 | |
| Desc | ROLINE Cat 6 U/UTP Patch Cord,LSOH.Component Level,gray | | | | |
| "#": Matching DIM. | DRAWING | 25.Aug.2015 | byz | | |
| "*": Important DIM. | CHECK | 25.Aug.2015 | Jane | | |
| Others General DIM. | APPROVAL | 25.Aug.2015 | Jaimy | | |
| GENERAL TOLERANCE OF DIMENSIONS | DATE | | NAME | | |
| | SCALE | 1/1 (A4) | UNIT | mm | |
| | DRAWING NO. | | | | |
| DRAWING CLASSIFICATION | | S | SHEET | 1 OF 1 | A1 |

| No. | MODIFIED AREA | ORIGINAL | MODIFY | DATE | MODIFIER |
|-----|---------------|----------|--------|------|----------|
| | | | | | |

1 2 3 4 5 6 10cm