



Datenblatt - Fiche technique - Data sheet

**19.99.1061**



VALUE USB Charger mit Euro-Stecker (EU+UK), 2 Port, 10W

VALUE Chargeur USB (EU+UK), 2 ports, 10W

VALUE USB Wall Charger (EU+UK), 2 Ports, 10W

**Item no.: 19.99.1061**

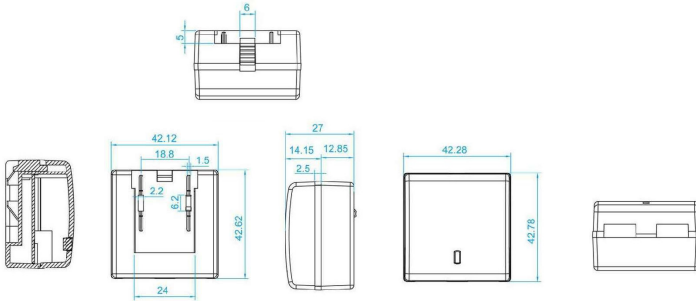
**VALUE USB Wall Charger, 2-port, w/exchangeable adapters EU+UK, black color**



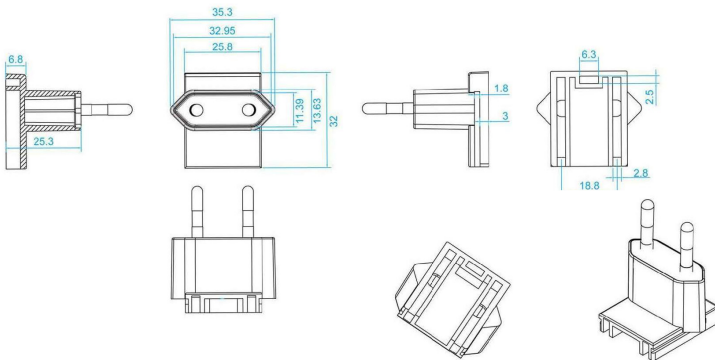
## Features:

- Wall power adapter with 2 x USB type A female connectors
- With 2 exchangeable country adapter, Euro plug and UK plug
- For charging smartphones, tablet PCs (e.g. iPad), MP3 players, etc.
- Input rated voltage: 100 ~ 240V AC
- Input rated frequency: 50 ~ 60 Hz
- Input current: 0.3A
- Output voltage: 5V
- Output current: 2.4A (max.)
- Output power: 12W (max.)
- Over voltage protection, short protection, over current protection
- Color: black
- Material: PC + ABS
- Storage Temperature: -20 ~ +70 °C
- Operating Temperature: -10 ~ +40 °C
- Relative Humidity: 20% ~ 95% non-condensing

## Main body drawing:



## Euro Plug drawing:



## UK Plug drawing:

