

PRODUCT DATASHEET

SMART+ MR16 35 36° 5 W/ GU5.3 TW

SMART+ SPOT GU5.3 TW | LED retrofit reflector lamps with smart home technology, color temperature adjustable



AREAS OF APPLICATION

- General illumination
- Outdoor applications only in suitable luminaires

PRODUCT BENEFITS

- Easy to install and use
- Up to 80 % less energy consumption compared to halogen lamps
- Contains no mercury

PRODUCT FEATURES

- Low voltage LED MR16 reflector lamp with wireless smart lighting function
- Adjustable light color via Tunable White: Warm White to Cool White (2,700 K...6,500 K)
- Dimmable
- Network protocol: ZigBee LL 2.0
- Lifetime: up to 25,000 h
- Controllable via compatible smart home system (gateway and app) or SMART+ Switch
- For full functionality connection to a compatible smart home System (gateway and app) required



TECHNICAL DATA

Electrical data

Rated wattage	5.00 W
Power factor λ	> 0.50
Nominal wattage	5.00 W
Nominal voltage	12.0 V
Claimed equiv. conventional lamp power	35 W

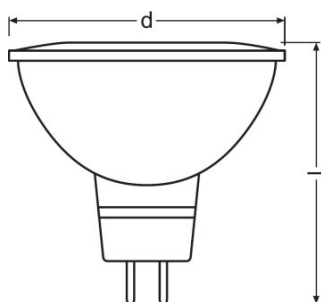
Photometrical data

Light color (designation)	Tunable White
Lumen main.fact.at end of nom.life time	0.70
Standard deviation of color matching	≤ 6 sdc _m
Adjustable color temperature	2700...6500 K
Rated luminous flux	350 lm
Nominal luminous flux	350 lm
Color rendering index Ra	80
Nominal useful luminous flux 90°	350 lm
Rated useful luminous flux 90°	350 lm
Rated peak intensity	770 cd

Light technical data

Beam angle	36 °
Starting time	< 1.0 s
Light control	Adjustable color temperature
Warm-up time (60 %)	< 1.00 s
Nominal beam angle	36 °
Rated beam angle (half peak value)	36.00 °

Dimensions & weight



Product weight	74.00 g
Outer bulb	MR51
Length	51.0 mm
Diameter	50.0 mm
Overall length	51.0 mm
Maximum diameter	50.0 mm

Lifespan

Number of switching cycles	100000
Rated lamp life time	20000 h
Nominal lamp life time	20000 h
Lumen maintenance at end of service life	0.70

Additional product data

Mercury-free	Yes
Show WEEE picto	Yes
Product remark	All technical parameters apply to the entire lamp/Due to the complex production process for light-emitting diodes, the typical values shown for the technical LED parameters are purely statistical values that do not necessarily match the actual technical parameters of each individual product, which can vary from the typical value/Reset settings to default by switching the product on for five seconds and off for five seconds and repeating this five times.
Base (standard designation)	GU5.3

Capabilities

Dimmable	Yes
Compatible smart home technology	ZigBee

Certificates & standards

Energy efficiency class	A
Energy consumption	5 kWh/1000h

EQUIPMENT / ACCESSORIES

– Control via app requires LIGHTIFY system (app and gateway) or other compatible Smart home system

LOGISTICAL DATA

Product code	Product description	Packaging unit (Pieces/Unit)	Dimensions (length x width x height)	Volume	Gross weight
4058075816657	SMART+ MR16 35 36° 5 W/ GU5.3 TW	Shipping carton box 4	173 mm x 108 mm x 141 mm	2.63 dm ³	552.00 g

The mentioned product code describes the smallest quantity unit which can be ordered. One shipping unit can contain one or more single products. When placing an order, for the quantity please enter single or multiples of a shipping unit.

DISCLAIMER

Subject to change without notice. Errors and omission excepted. Always make sure to use the most recent release.